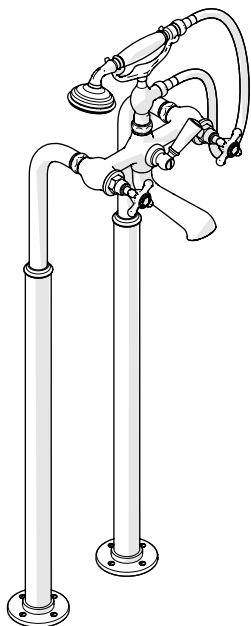


INSTALLATION GUIDELINES

FLOOR MOUNTED EXPOSED TUB FILLER

HIGHGATE ASH NYC EDITION FLOOR MOUNTED EXPOSED TUB FILLER WITH HANDSHOWER, CROSS HANDLES AND PORCELAIN DIVERTER HANDLE



STYLE
HGXTAE

IMPORTANT:

- To ensure this product is installed properly, you must read and follow these guidelines.
- The owner/user of this product must keep this information for future reference.
- This product must be installed by a professional licensed contractor and must be on-site prior to rough-in. This allows the installer to visualize the installation and verify the 7-5/8" [193mm] on-center inlet supply spread. The inlet supply spread on this product is **NOT** adjustable.
- Check TUB measurements to assure the SPOUT projects far enough into the TUB.
- Run 3/4" supply lines for **MAXIMUM** flow and install **ACCESSIBLE** hot and cold service stop valves to facilitate servicing.

- Be sure your installation conforms to all federal, state, and local codes.
 - Anti-scald protection is the responsibility of the installer and according to applicable codes.
 - A water temperature limiting device is the responsibility of the installer and must be in accordance with ASSE 1070.
 - In the State of Massachusetts, all installations must comply with the rules and regulations set forth within 248 CMR.
- Inspect this product to ensure you have all the parts required for proper installation. Product is sold partially assembled but shown fully disassembled for illustrative and service purposes only.
- Use only a strap wrench or protected/smooth-jaw wrench on ANY finished surface.
- The use of certain plumber's putty may stain stone or tile surfaces.
- If further assistance is required, please contact Product Support at 1-800-927-2120 Monday through Friday, 8am - 6pm EST.
- Refer to the separate Service Parts Documents for available replacement parts.

TECHNICAL DETAILS:

DETAIL	SPECIFICATION
ADJUSTABLE VERSUS FIXED SPRAY [HANDSHOWER - ONLY]	FIXED
DIAMETER OF HANDSHOWER HEAD	Ø 2-3/4" [70mm]
FITTINGS HOLE DIAMETER	Ø 1-1/8" [29mm]
HANDLE TURN ANGLE	QUARTER TURN
HANDSHOWER HOSE LENGTH	59" [1.5m]
INLET CONNECTION	3/4" COPPER SWEAT
INLET SUPPLY SPREAD	7-5/8" [193mm] [NOT ADJUSTABLE]
INTEGRATED DIVERTER	YES
SPOUT REACH	10-1/8 [257mm]
WATER PRESSURE RANGE	85psi [6.0 bar] MAXIMUM 20psi [1.5 bar] MINIMUM
WATER PRESSURE RECOMMENDED	45psi [3.0 bar]

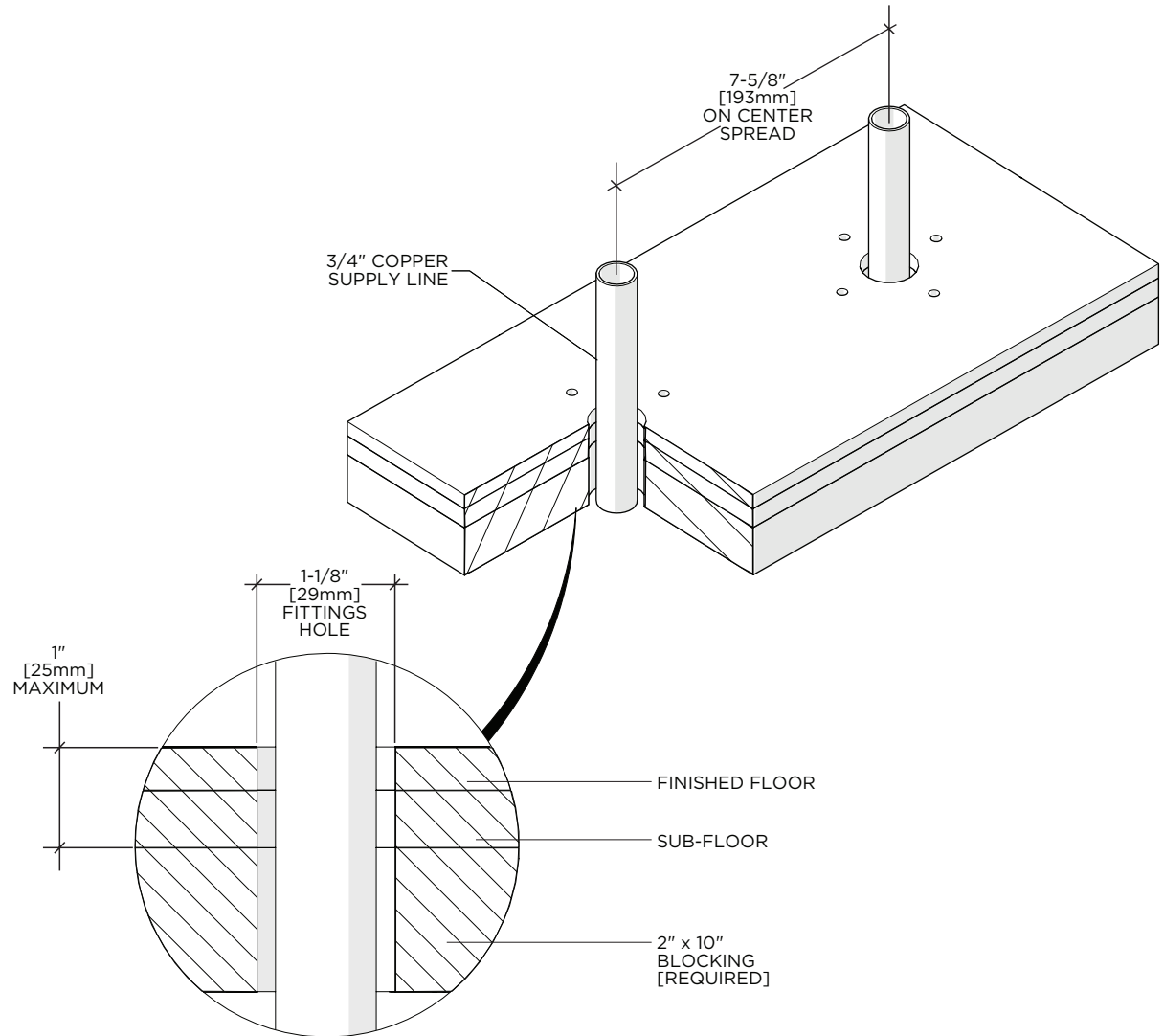
INSTALLATION GUIDELINES

FLOOR MOUNTED EXPOSED TUB FILLER

WATERWORKS

ROUGH IN:

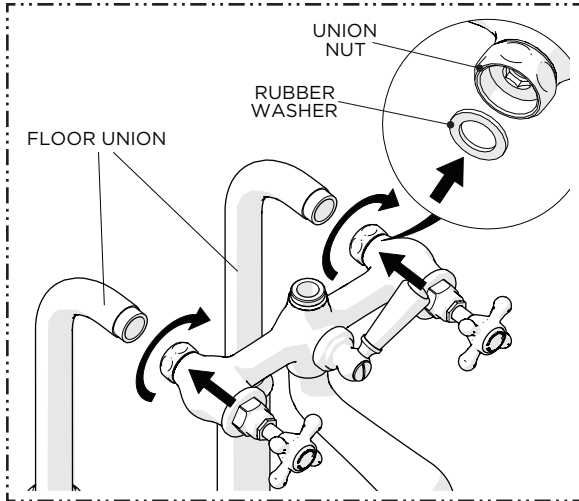
- **WARNING:** The inlet supply spread on this product is **NOT** adjustable. If the rough-in is **NOT** accurate it will make the installation difficult or impossible.
- Run well supported 3/4" hot and cold copper supply lines for **MAXIMUM** water flow. The 3/4" supply lines must be:
 - Securely anchored/strapped below sub-floor,
 - Level,
 - Perpendicular to the finished floor,
 - Parallel to each other, and
 - At the proper spread of 7-5/8" [193mm].
- Wood blocking is **REQUIRED** and should be no further than 1" from the finished floor for the MOUNTING SCREWS to create adequate support for the TUB FILLER.



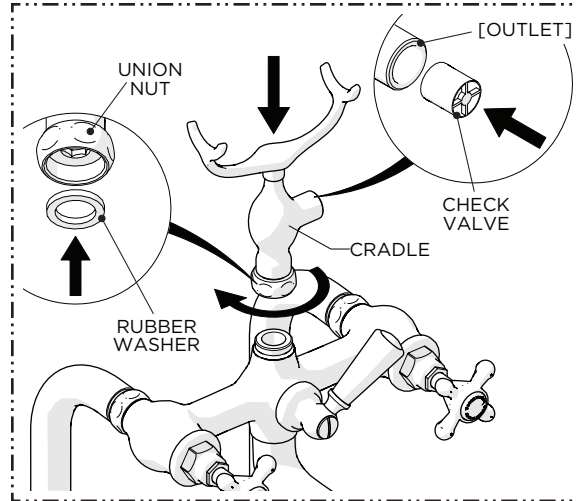
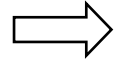
1. Rough-in and verify the 7-5/8" [193mm] inlet supply spread then refer to the INSTALLATION GUIDELINES provided **SEPARATELY** with the FLOOR UNIONS (**UNUN60**) to properly install the UNIONS.
2. **PROCEED TO THE TUB FILLER INSTALLATION SECTION.**

INSTALLATION GUIDELINES

FLOOR MOUNTED EXPOSED TUB FILLER

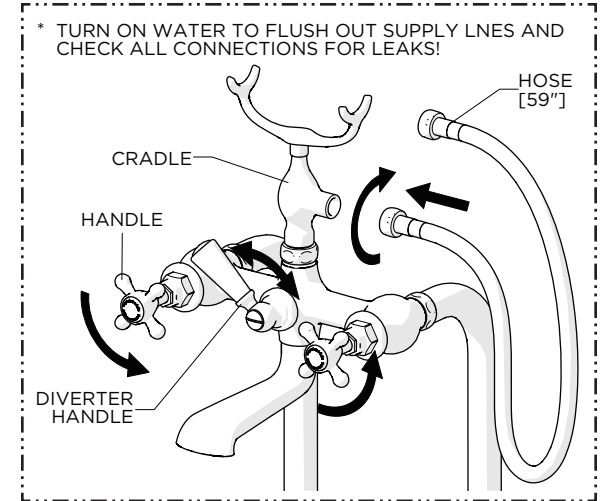
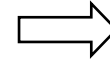


1. Using the RUBBER WASHERS provided, hold the TUB FILLER up to the UNIONS then thread and securely tighten the UNION NUTS onto the UNIONS.



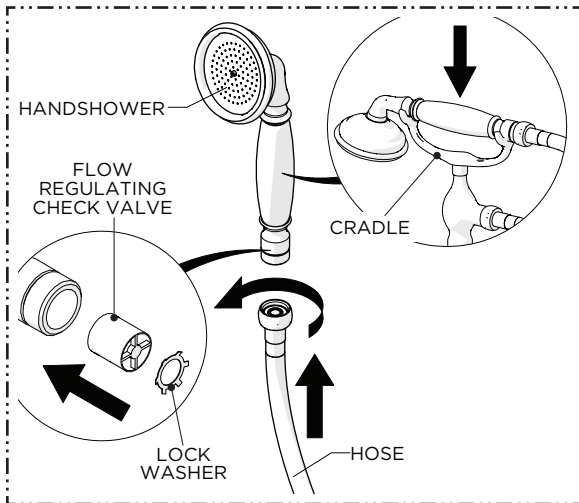
2. Using the RUBBER WASHER provided, thread and securely tighten the HANDSHOWER CRADLE onto the TUB FILLER.

NOTE: The CRADLE can be installed with the outlet either on the left or right side and a CHECK VALVE is located inside the outlet of the CRADLE.



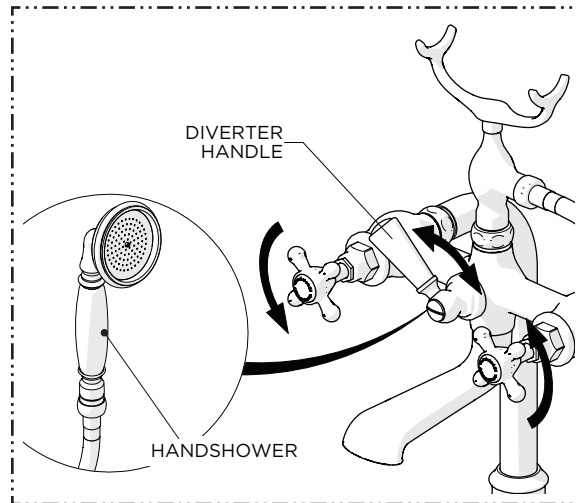
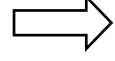
3. Thread the HOSE onto the CRADLE then turn on the water to flush out the supply lines and check all connections for leaks.

NOTE: Operate the DIVERTER HANDLE to ensure it functions properly before installing the HANDSHOWER.



4. Thread the HOSE onto the HANDSHOWER and ensure it rests properly on the CRADLE.

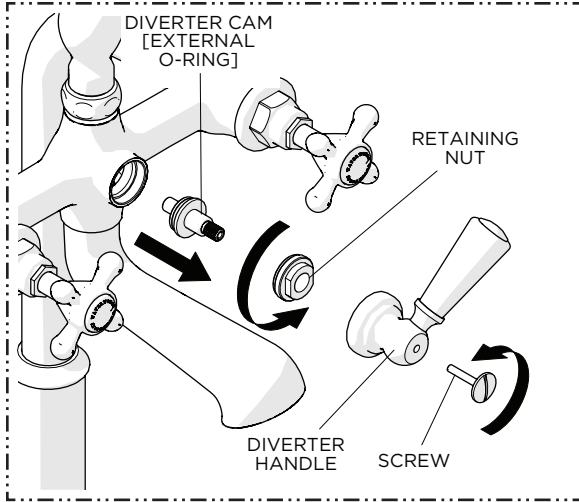
NOTE: A FLOW REGULATING CHECK VALVE is located inside the inlet of the HANDSHOWER.



5. With water running, operate the DIVERTER HANDLE to ensure the HANDSHOWER functions properly.

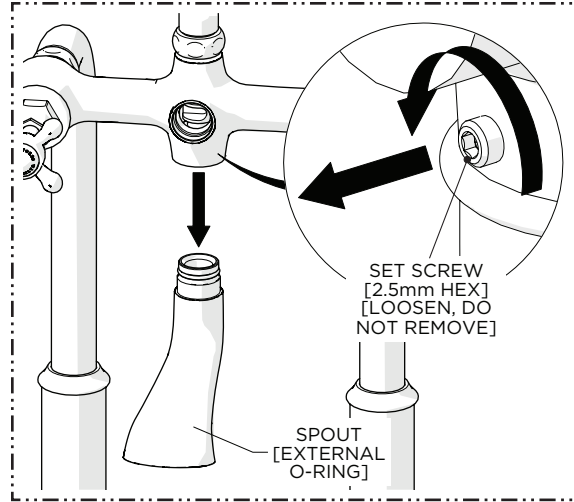
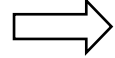
SERVICE GUIDELINES

FLOOR MOUNTED EXPOSED TUB FILLER

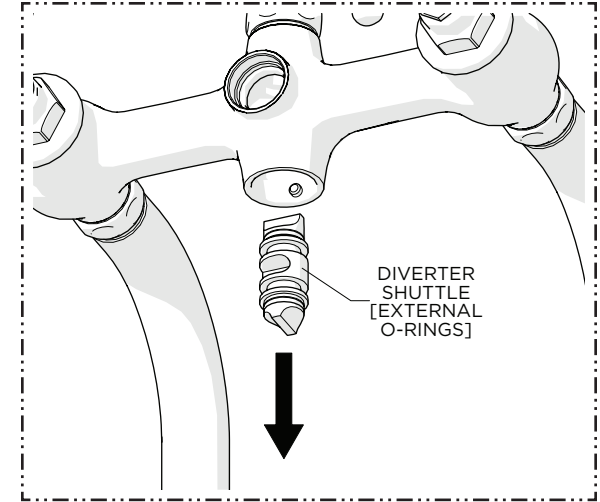
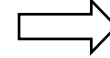


SERVICING THE DIVERTER:

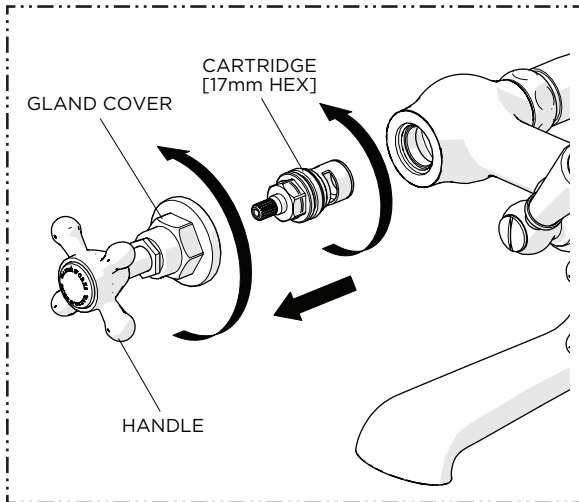
1. Carefully unthread the SCREW, remove the DIVERTER HANDLE and unthread the RETAINING NUT then remove the DIVERTER CAM.



2. Loosen, but do NOT remove, the SET SCREW behind the TUB FILLER then remove the SPOUT.



3. Remove the DIVERTER SHUTTLE from below.



SERVICING THE CARTRIDGE:

1. Unthread the GLAND COVER to remove the HANDLE then unthread the CARTRIDGE using a 21/32" [17mm] shower valve socket wrench (not provided).