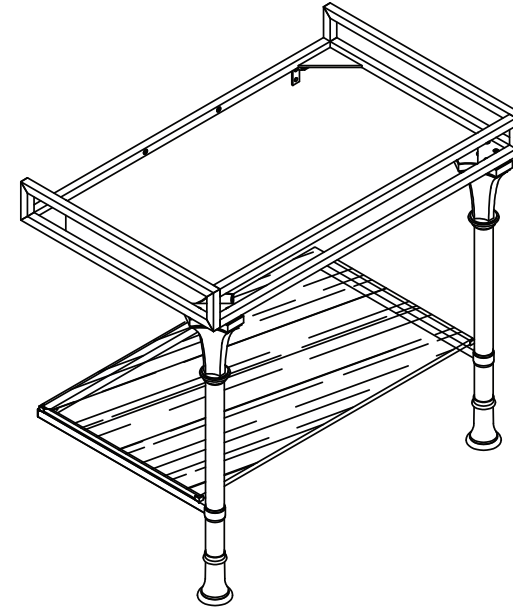


INSTALLATION GUIDELINES

⚠ WARNING: Some parts are large and heavy, the assistance of one or more person is highly recommended in order to prevent personal injury and/or damage to the product during the assembly process.

IMPORTANT

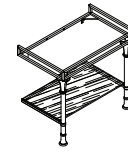
- To ensure this product is installed properly, you must read and follow these guidelines.
- The owner/user of this product must keep this information for future reference.
- Install adequate blocking or position over a stud to properly secure the fixture.
- Inspect this product, upon receiving, to ensure it is the correct model and you have all parts required for proper installation.
- Slab top, fittings, and lavatory sold separately.
- Take all necessary precautions to ensure that this product is protected during installation.
- This product is extremely heavy. It is **STRONGLY** recommended that 2 or more persons install this product.
- Ensure the floor is level and the weight of this product will be adequately supported.
- The use of certain plumber's putty may stain stone or tile surfaces.
- If further assistance is required, please contact Product Support at 1-800-927-2120 Monday through Friday, 8 am -6 pm EST.



TECHNICAL DETAILS

DETAIL	SPECIFICATION
ADJUSTABLE LEVERS / FEET	YES
DIAMETER OF LEGS	2-15/16" [75mm]
LEG MATERIAL	NICKEL / BRASS
PRIMARY MATERIAL	NICKEL / BRASS
WEIGHT	66 lbs [30kg]

INSTALLATION GUIDELINES



STYLE No. 100518

Lucerne Metal Two Leg Single Washstand
36 15/16" X 22 7/8" X 29 3/8"

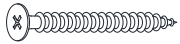
HARDWARE LIST

1



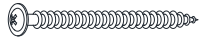
SOCKET FLAT HEAD SCREW
6mm x10

2



FINISHED PHILLIPS SCREW
40mm x4

3



FINISHED ROUND HEAD PHILLIPS
SCREW 60mm x6

4

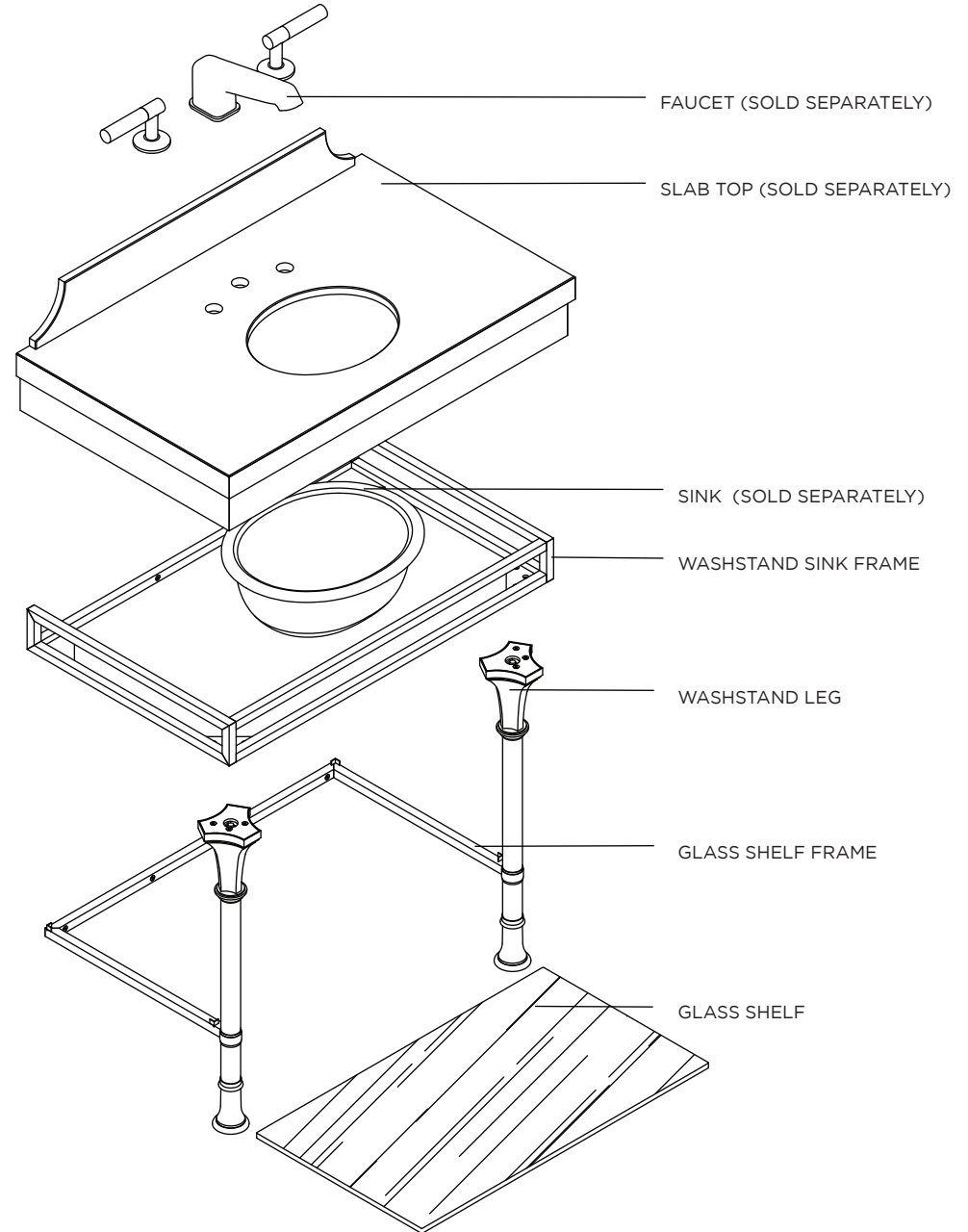


ALLEN WRENCH
4mm x1

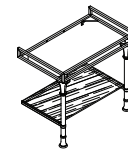
5



OPEN END WRENCH
| RING SPANNER x1

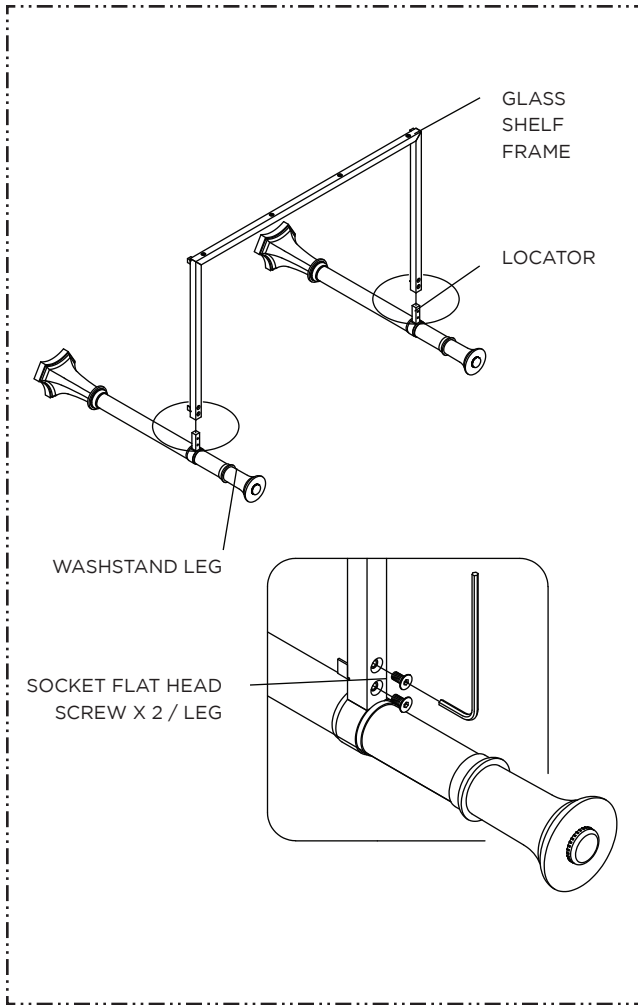


INSTALLATION GUIDELINES



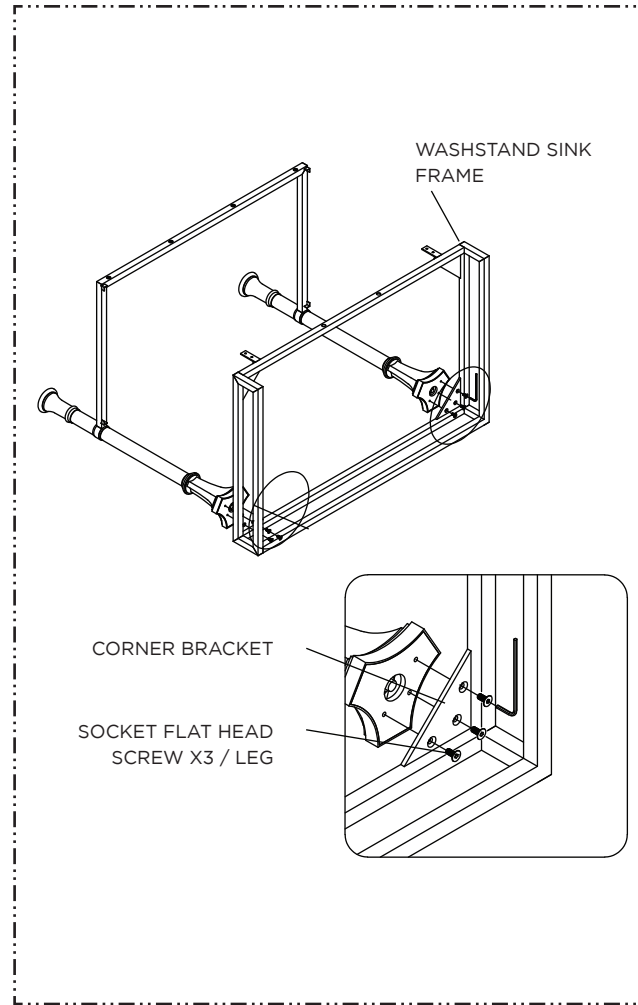
STYLE No. 100518

Lucerne Metal Two Leg Single Washstand
36 15/16" X 22 7/8" X 29 3/8"



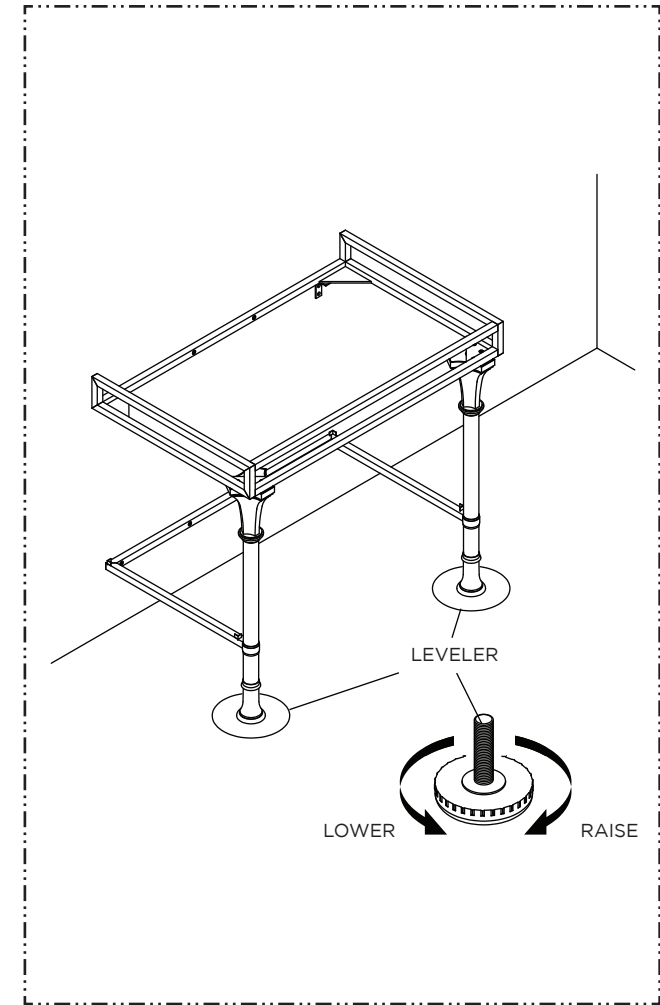
1. In preparation for assembly, place the WASHSTAND LEGS on a non-abrasive working bench with the LOCATOR of the LEG facing upward. Fit both ends of the GLASS SHELF FRAME into the LOCATOR of each LEG and secure the FRAME using the SOCKET FLAT HEAD SCREW provided.

NOTE: Both ends of the SHELF FRAME have holes for the SCREWS to pass through which correspond to the threaded holes on the LOCATOR on each LEG.



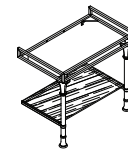
2. Set the WASHSTAND SINK FRAME on top of the LEGS and secure this with the SOCKET FLAT HEAD SCREW. Tighten all the SCREWS to a snug fit.

NOTE: The SINK FRAME has 2 CORNER BRACKETS with holes for the SCREWS to pass through which correspond to the threaded holes on the top of each LEG.



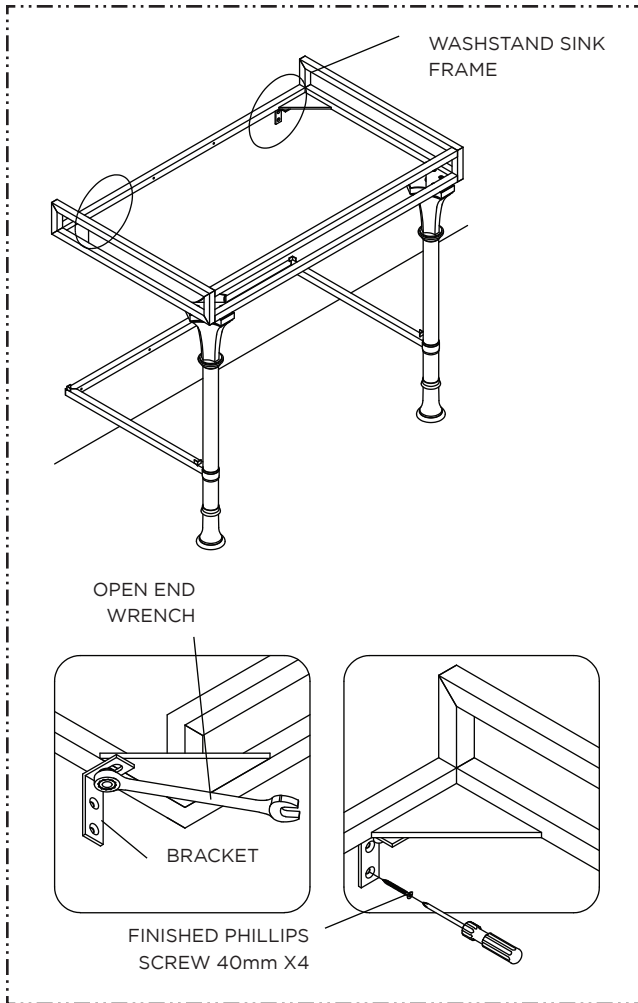
3. From your prepared location, pre-set the assembled WASHSTAND against the wall, examine the alignment of the WASHSTAND to see if leveling is necessary. If needed, slightly tilt the WASHSTAND and turn the LEVELERS clockwise to raise the FIXTURE and counter-clockwise to lower it. Adjust all LEVELERS until the correct level is achieved.

INSTALLATION GUIDELINES

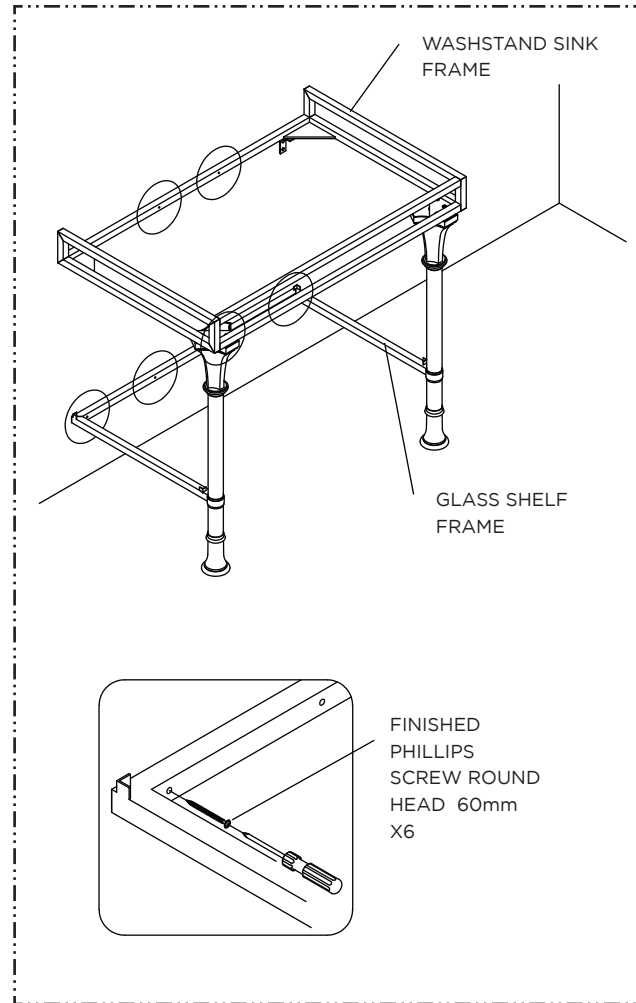


STYLE No. 100518

Lucerne Metal Two Leg Single Washstand
36 15/16" X 22 7/8" X 29 3/8"

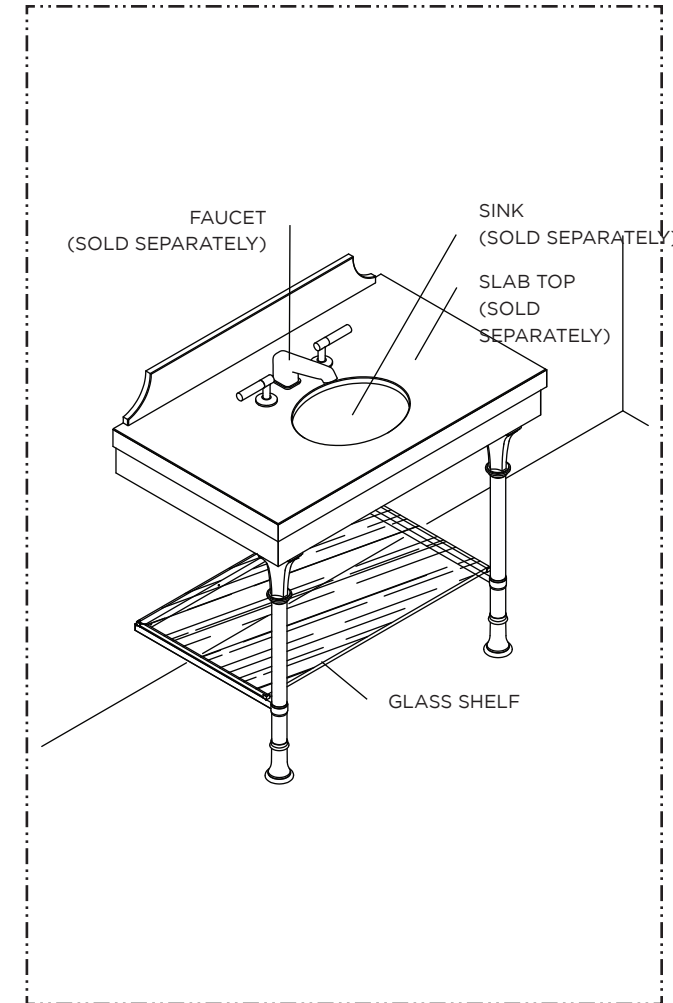


4. Slightly loosen the metal BRACKETS attached to the back of the WASHSTAND SINK FRAME. At your desired location, bring the WASHSTAND against the wall and secure the WASHSTAND BRACKETS using the FINISHED PHILLIPS SCREWS provided. After fastening the BRACKETS on the wall, re-tighten the metal BRACKETS with the OPEN END WRENCH or RING SPANNER provided.



5. Secure the WASHSTAND SINK FRAME and GLASS SHELF FRAME to the wall with the FINISHED ROUND HEAD PHILLIPS SCREWS provided.

NOTE: For safe mounting, it is important to use the proper hardware for your wall type. The included hardware is for stud mounting only. If the METAL BRACKET cannot be secured to a wall stud because of inappropriate spacing and/or because you have a different wall type (e.g., plaster, concrete, brick, etc..) please consult your local hardware store for fastener advice.



6. It is recommended to install the FAUCET, and SINK (sold separately) to the SLAB TOP before setting it into the FRAME. The GLASS SHELF should be installed after plumbing is complete.

NOTE: Plumbing Installation must be done by a qualified plumber and in accordance with all applicable plumbing and building codes in force in your area.