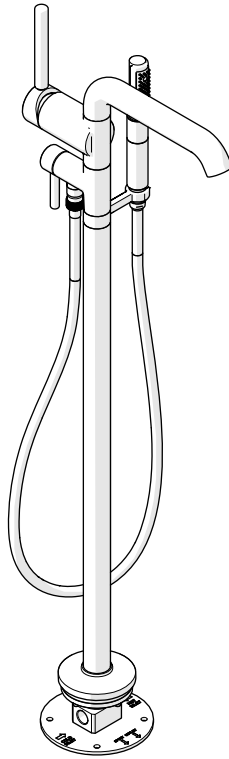


STYLE No. PTXT90[†]
with Handshower and
Metal Lever Handle



SPECIFICATIONS:

Anti-scald Protection: No
Inlet Connection Size & Type: 1/2" Female NPT[†]
Fittings Hole Diameter: Ø3-7/8" (98mm)
Hot Limit Safety Stop: No
Integrated Diverter: No
Spout Reach: 9-1/16" (229mm)
Water Pressure Minimum: 20 psi (1.4 Bar)
Water Pressure Maximum: 80 psi (5.5 Bar)
Water Pressure Recommended: 45 psi (3 Bar)
Unrestricted Flow Rate: 6 - 8 gpm (23 - 30 L)

[†] UK Style No. **PT90XT** is supplied with 2 **BSP** adapters, assembly required.

IMPORTANT:

- To ensure this product is installed properly, you must read and follow these guidelines. The owner/user of this product must keep this information for future reference.
- This product must be on-site prior to rough-in. This allows the installer to visualize the installation and verify the center spread.
- This product must be installed by a professional licensed contractor.

- Check tub measurements to assure the spout projects far enough into the tub.
- Install accessible hot and cold service stop valves to facilitate servicing
- Be sure your installation conforms to all federal, state, and local codes.
- Anti-scald protection is the responsibility of the installer and according to applicable codes.
- In the State of Massachusetts, all installations must comply with the rules and regulations set forth within 248 CMR.
- Refer to the specification and assembly drawings attached. Product is sold partially assembled but shown fully disassembled for illustrative and service purposes only.
- Inspect the product to ensure you have all the parts required for proper installation.
- Use only a strap wrench or protected/smooth-jaw wrench on any finished surface.
- Run 1/2" supply lines for maximum flow.
- DO NOT use putty. Putty contains oil and can cause permanent discoloration on certain materials such as marble, granite and any porous surface.

ROUGH-IN:

- The MOUNTING PLATE is 2-1/2" in height and should be a minimum of 3/4" from the surface of the finished floor as shown in Figure - 01.

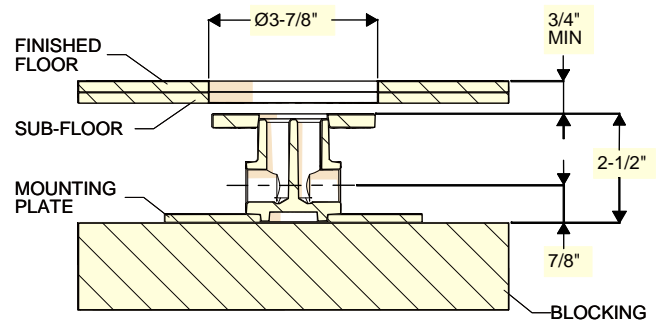


FIGURE - 01

1. Determine the location of the MOUNTING PLATE and install adequate blocking to properly secure the MOUNTING PLATE.
- A Ø3-7/8" hole is required for proper installation of the spout.

These guidelines have been prepared for the professional contractor to aid in the installation of:
.25 FLOOR MOUNTED EXPOSED TUB FILLER WITH HANDSHOWER AND METAL LEVER HANDLE [STYLE No. PTXT90, PT90XT (UK)]
All dimensions are based on original specification and are subject to change and variation.
Please consult your Design Associate for current specifications.

WATERWORKS

2. Place the MOUNTING PLATE on the blocking with the inlets perpendicular to the SPOUT and towards the opposite direction of the tub as shown in Figure- 02.

- “Cold Inlet”, “Hot Inlet” and “Spout Outlet” direction markings are also located on MOUNTING PLATE. The cold inlet is located on the left and the hot inlet is on the right.

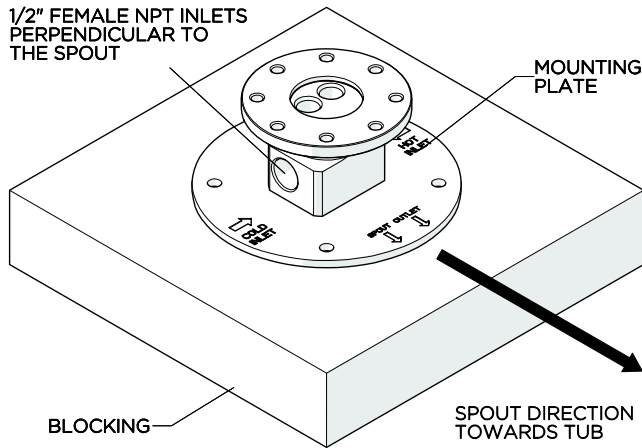


FIGURE - 02

3. Thread and securely tighten 1/2" male NPT hot and cold supply lines into the MOUNTING PLATE then secure the MOUNTING PLATE to the sub-floor using 4 SCREWS (not supplied) as shown in Figure - 03.

- The MOUNTING PLATE has 4 pre-drilled holes.

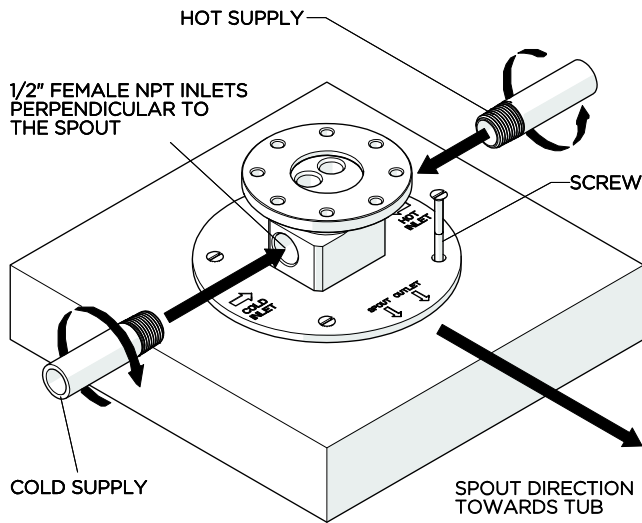


FIGURE - 03

4. Finish all connections below the finished floor and install the TEST PLATE using the SCREWS provided as shown in Figure - 04.

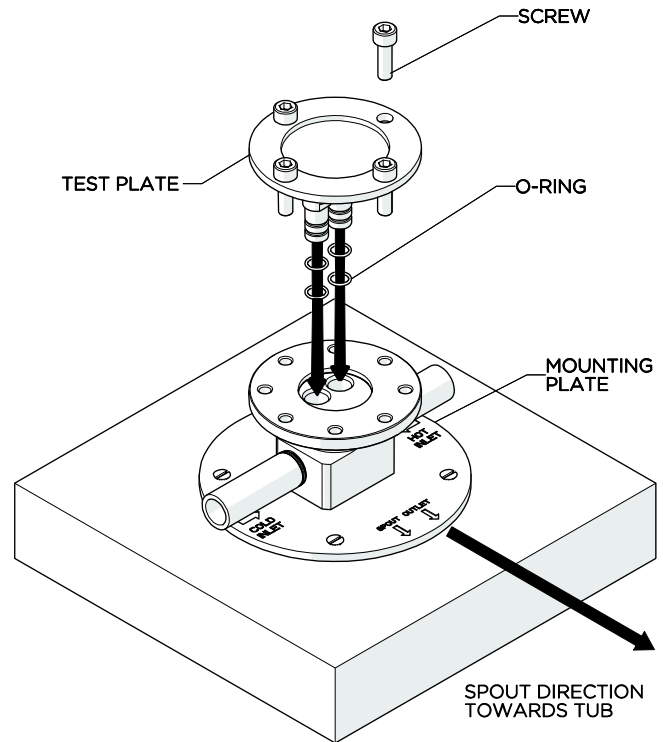


FIGURE - 04

5. Turn on the water supply lines and check for leaks.
 6. Turn off the water supply lines. DO NOT remove the TEST PLATE.
 7. Tile up to the TEST PLATE. DO NOT tile over the TEST PLATE
- IMPORTANT: A Ø3-7/8" hole is required to properly install the spout.

SPOUT INSTALLATION:

8. Remove the TEST PLATE from the MOUNTING PLATE.
 9. Slide the ESCUTCHEON up the SPOUT to expose the SPOUT FLANGE then insert the SUPPLY TUBES into the MOUNTING PLATE as shown in Figure - 05. Make sure the O-RINGS are properly attached to the SUPPLY TUBES.
- Do not twist or turn the SPOUT. This could damage the SUPPLY TUBES.

These guidelines have been prepared for the professional contractor to aid in the installation of:
 .25 FLOOR MOUNTED EXPOSED TUB FILLER WITH HANDSHOWER AND METAL LEVER HANDLE [STYLE No.
 PTXT90_PT90XT (UK)]
 All dimensions are based on original specification and are subject to change and variation.
 Please consult your Design Associate for current specifications.

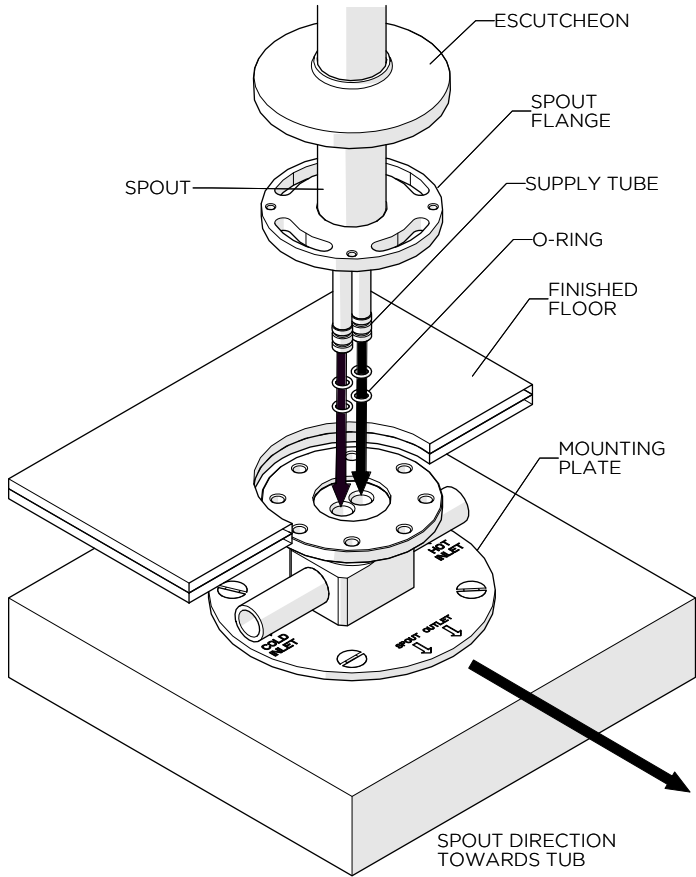


FIGURE - 05

10. Secure the SPOUT FLANGE to the MOUNTING PLATE using the SCREWS and LOCK WASHERS provided as shown in Figure - 06.

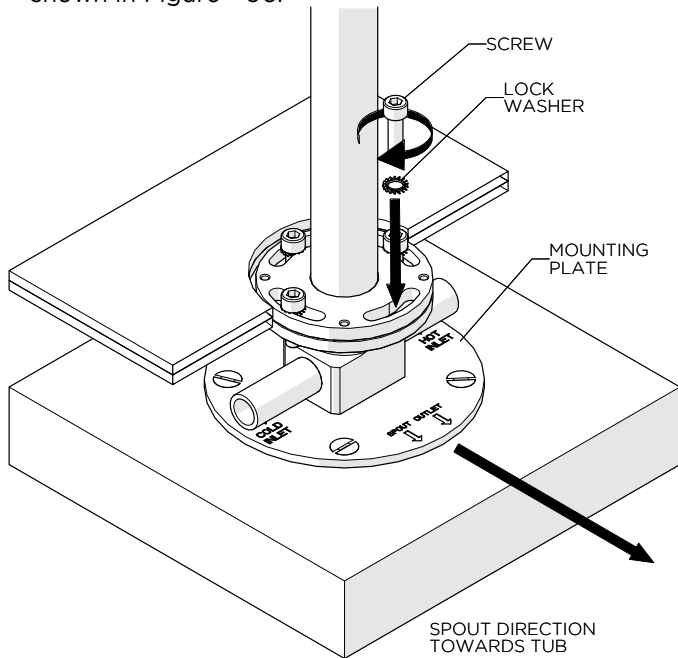


FIGURE - 06

HANDSHOWER INSTALLATION:

11. Thread the knurled end of the HOSE to the outlet found on the HOOK then thread the conical end of the HOSE to the HANDSHOWER.
 12. Place the HANDSHOWER on the HOOK.
- A FLOW REGULATING CHECK VALVE can be found in the inlet of the HANDSHOWER.

FINISHED AND INSPECT THE INSTALLATION:

13. Remove the AERATOR using the tool provided then turn on the water supply and operate the LEVER HANDLE to ensure that it is functioning properly.
 14. Flush out any debris in the supply lines before operating the HANDSHOWER if applicable.
- To operate the HANDSHOWER turn the HANSHOWER LEVER HANDLE on the front of the spout. A PROGRESSIVE CARTRIDGE controls on, off and temperature for the HANDSHOWER independently from the SPOUT.
15. Inspect all connections for leaks then turn off the water.
 16. Re-install the aerator.
 17. Slide the ESCUTCHEON down the SPOUT to conceal the SPOUT FLANGE. If desired, a bead of caulk or a clear silicone may be applied where the ESCUTCHEON contacts the finished floor. DO NOT use putty.*

SERVICING THE CARTRIDGE(S):

18. To service or replace the TUB CARTRIDGE, unthread the SET SCREW and remove the TUB HANDLE, and then unthread the COVER & RETAINING NUT to access cartridge. See Figure - 07.
19. To service or replace the HS CARTRIDGE that controls the HANDSHOWER unthread the HS LEVER HANDLE, then unthread the HS SET SCREW, pull the HS HANDLE HUB and unthread the HS RETAINING COLLAR. See Figure -07.

These guidelines have been prepared for the professional contractor to aid in the installation of:
.25 FLOOR MOUNTED EXPOSED TUB FILLER WITH HANDSHOWER AND METAL LEVER HANDLE [STYLE No. PTXT90_PT90XT (UK)]
 All dimensions are based on original specification and are subject to change and variation.
 Please consult your Design Associate for current specifications.

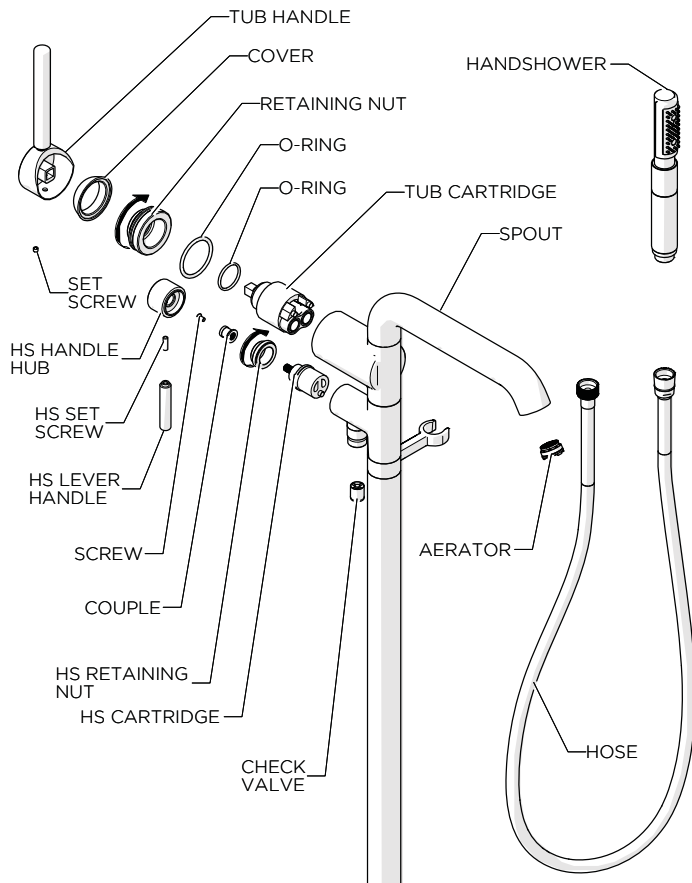


FIGURE - 07

- If further assistance is required, please contact Product Support at 1-800-927-2120 Monday through Friday, 8am - 6pm EST.
- See the service part document for parts ordering, available on WATERWORKS.COM.
- * Putty contains oil and can cause permanent discoloration on certain materials such as marble, granite and any porous surface.

These guidelines have been prepared for the professional contractor to aid in the installation of:
.25 FLOOR MOUNTED EXPOSED TUB FILLER WITH HANDSHOWER AND METAL LEVER HANDLE [STYLE No. PTXT90_PT90XT (UK)]
All dimensions are based on original specification and are subject to change and variation.
Please consult your Design Associate for current specifications.

WATERWORKS