

## STOCKTON

SKHW06

Stockton 6 1/4" Walnut Pull



SHOWN IN STOCKTON 6 1/4" WALNUT PULL | SKHW06

### TECHNICAL DETAILS

Height: 1 1/4"  
Length: 6 1/4"

### INSPIRATION

The Stockton family combines hand-finished solid brass and solid walnut for distinctive midcentury-modern character. Streamlined forms with transitional appeal make these pulls equally at home in contemporary and classic settings.

### CODES & STANDARDS

### PRODUCT FEATURES

American Walnut paired with Brass

Walnut is protected with primer and wood lacquer

Solid Brass

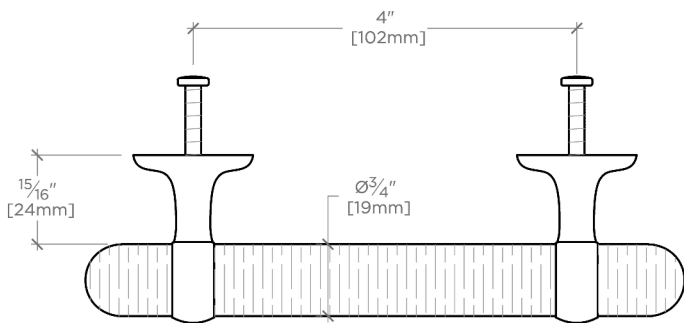
Machined and hand-polished

Includes 2 x M4 Pan Head Slot 1" Machine Screw and 2 x M4 Pan Head Slot 1 1/2" Machine Screw

### CERTIFICATIONS

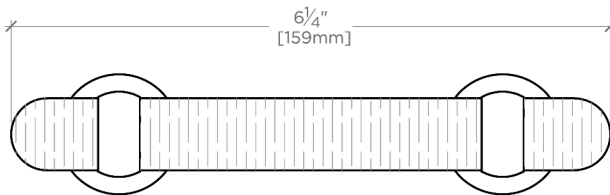
### PRODUCT (NOTES)

Stockton 6 1/4" Walnut Pull



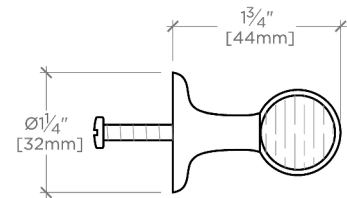
TOP VIEW

SCALE: 6"=1'-0"



FRONT VIEW

SCALE: 6"=1'-0"



SIDE VIEW

SCALE: 6"=1'-0"