

## HIGHGATE

## HGS357

Highgate 5" Showerhead with Adjustable Spray with 12" Wall Mounted 90 Degree Shower Arm



SHOWN IN HIGHGATE 5" SHOWERHEAD WITH ADJUSTABLE SPRAY WITH 12" WALL MOUNTED 90 DEGREE SHOWER ARM | HGS357

### TECHNICAL DETAILS

Adjustable Versus Fixed Spray: Adjustable Spray  
Fittings Hole Diameter: 1 1/4"  
Inlet Connection Size: 1/2"  
Inlet Connection Type: Male NPT  
Pivot: Y  
Primary Material: Brass  
Restricted Maximum Flow Rate: 1.75 gpm  
Water Pressure Maximum: 85.0 psi  
Water Pressure Minimum: 20.0 psi  
Water Pressure Recommended: 45.0 psi

### INSPIRATION

Our take on old English style: simple, functional shapes, detailed with white porcelain indices and hexagonal accents for a timeless feel.

### CODES & STANDARDS

HGS357X, ASME A112.18.1/CSA B125.1, CEC(1.5GPM & 1.75GPM Only), DOE, State of MA

### PRODUCT FEATURES

Made of Brass

Features a swivel 5" showerhead with three adjustable spray patterns

Includes a 12" wall mounted 90 degree shower arm

Stocked in Brass, Chrome, Nickel and Matte Nickel

Showerhead available in 1.75gpm (6.6L/min) flow rate

### CERTIFICATIONS

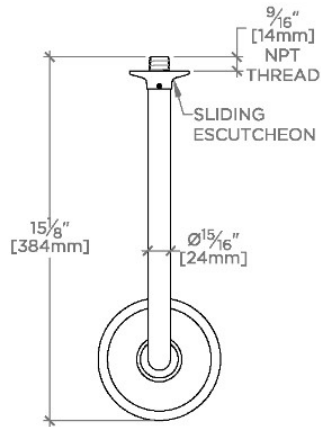


### PRODUCT (NOTES)

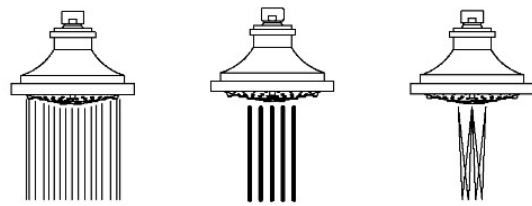
## HIGHGATE

HGS357

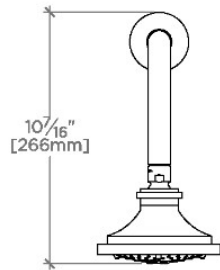
Highgate 5" Showerhead with Adjustable Spray with 12" Wall Mounted 90 Degree Shower Arm



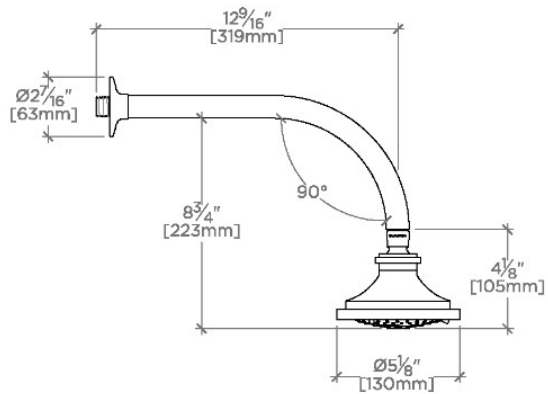
TOP VIEW SCALE: 1/2"=1'-0"



SPRAY PATTERNS



FRONT VIEW SCALE: 1/2"=1'-0"



SIDE VIEW SCALE: 1/2"=1'-0"