

Ludlow

LDTH31

Ludlow Integrated Thermostatic and Volume Control Trim with Lever Handle



SHOWN IN LUDLOW INTEGRATED THERMOSTATIC AND VOLUME CONTROL TRIM WITH LEVER HANDLE | LDTH31

TECHNICAL DETAILS

ADA Compliance: Yes
 Number Of Holes: One Hole
 Primary Material: Brass

INSPIRATION

Our fresh take on American industrial design features comes in two styles, each of them clean-lined, versatile and unique to Waterworks. Choose from original Ludlow, featuring a square plate and exposed screws, and Ludlow Volta, with a round escutcheon for a softer, more transitional feel.

CODES & STANDARDS

ASME A112.18.1/CSA B125.1, State of MA

PRODUCT FEATURES

Features Lever Handle

Smooth handle operation controls water volume

A solid brass trim plate features engraved TEMPERATURE along with H and C markings.

Stocked in Chrome, Nickel and Brass

Requires rough valve, sold separately: GUTH61 (USA) or GU61TH (UK/International)

CERTIFICATIONS

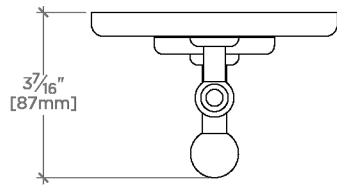


PRODUCT (NOTES)

Ludlow

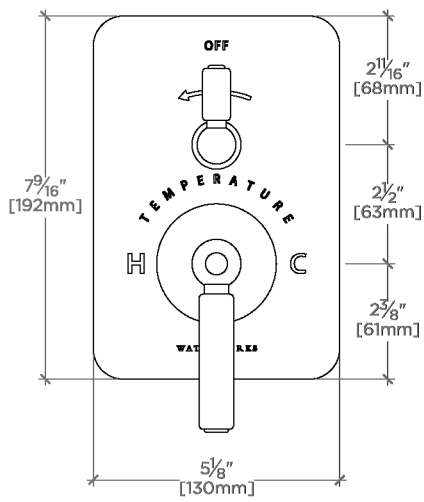
LDTH31

Ludlow Integrated Thermostatic and Volume Control Trim
with Lever Handle



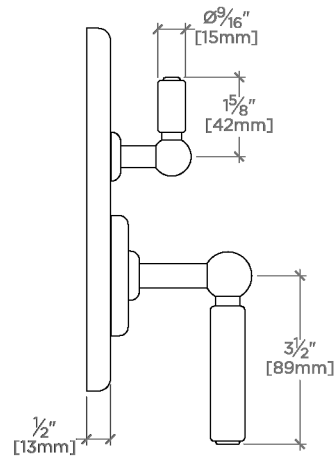
TOP VIEW

SCALE: 3"=1'-0"



FRONT VIEW

SCALE: 3"=1'-0"



SIDE VIEW

SCALE: 3"=1'-0"