

FORO

FRTH01

Foro Thermostatic Control Valve Trim with Metal Lever Handle



TECHNICAL DETAILS

Control Hole Diameter Recommended: 168 mm
Control Valve Rough-in Depth Minimum: 76 mm
Fittings Hole Diameter: 168 mm
Depth / Width: 60 mm
Height: 181 mm
Length: 181 mm
Water Pressure Maximum: 6.0 bar
Water Pressure Minimum: 1.5 bar
Water Pressure Recommended: 3.0 bar

INSPIRATION

A mix of historical references, including finely etched vintage silver, come together in this twist on classical design - a wonderfully elegant formal statement.

PRODUCT FEATURES

Metal lever handle

Allows bather to adjust temperature of all waterway outlets with a hot limit safety stop providing anti-scald protection

Features radiating engraved detail on face plate and lever handle

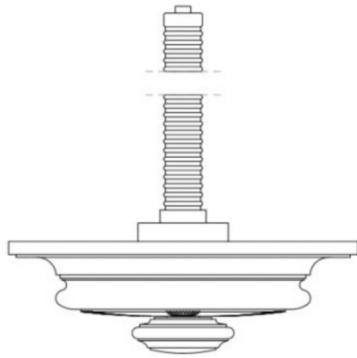
Stocked in Nickel and Unlacquered Brass

Requires rough valve, sold separately: GUTH37 (US) / GU37TH (UK)

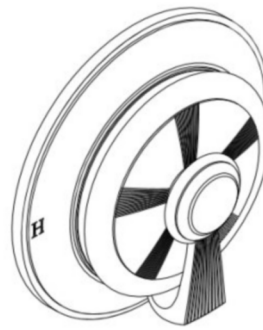
FORO

FRTH01

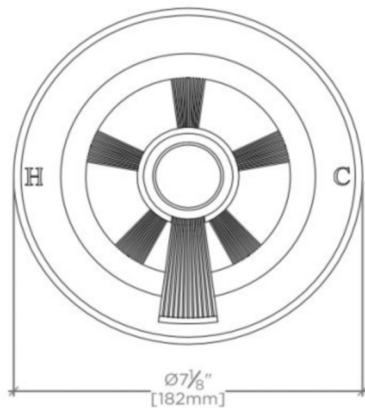
Foro Thermostatic Control Valve Trim with Metal Lever Handle



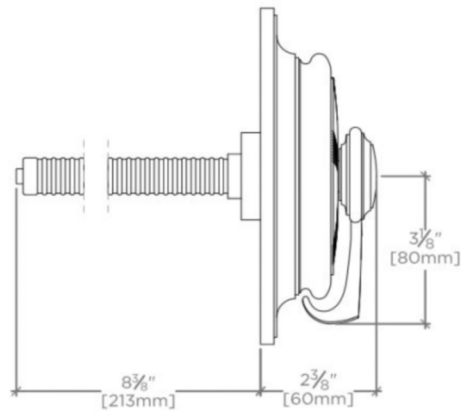
TOP VIEW SCALE: 3"=1'-0"



ISO VIEW SCALE: 3"=1'-0"



FRONT VIEW SCALE: 3"=1'-0"



SIDE VIEW SCALE: 3"=1'-0"