

FORO

FR70LS

Foro Three Hole Wall Mounted Lavatory Faucet with Metal Lever Handles



TECHNICAL DETAILS

Control Valve Rough-in Depth Maximum: 114 mm
Control Valve Rough-in Depth Minimum: 70 mm
Drain Hole Diameter: 44 mm
Drain Style: Lift and Turn
Fittings Hole Diameter: 35 mm
Handle Spread Maximum: 203 mm
Handle Spread Minimum: 203 mm
Handle Turn Angle: Quarter Turn
Depth / Width: 222 mm
Height: 75 mm
Inlet Connection Size: 1/2"
Inlet Connection Type: Male BSPP
Inlet Supply Spread Maximum: 203 mm
Inlet Supply Spread Minimum: 203 mm
Primary Material: Brass
Valve Material: Ceramic
Water Pressure Maximum: 6.0 bar
Water Pressure Minimum: 1.5 bar
Water Pressure Recommended: 3.0 bar

INSPIRATION

A mix of historical references, including finely etched vintage silver, come together in this twist on classical design - a wonderfully elegant formal statement.

PRODUCT FEATURES

Metal lever handles

Includes European Size Lift-and-Turn Drain. Requires rough valve, sold separately: GULV25 (US) / GU25LV (UK)

Features signature engraving detail

Stocked in Nickel and Unlacquered Brass

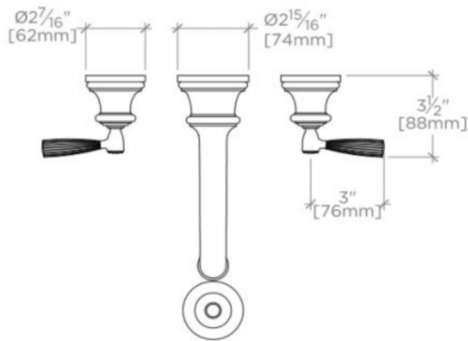
Available in 1.2gpm (4.5L/min) flow rate

WATERWORKS

FORO

FR70LS

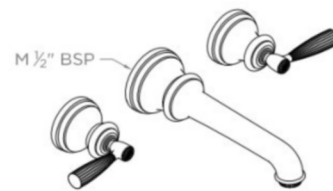
Foro Three Hole Wall Mounted Lavatory Faucet with Metal Lever Handles



TOP VIEW

SCALE: 1 1/2" = 1'-0"

ADAPTER(S) PACKAGED SEPARATELY		
ADAPTER	DESCRIPTION	QTY
UNUK04	1/2" NPT MALE x 1/2" MALE NIPPLE 50mm LONG BSP	1



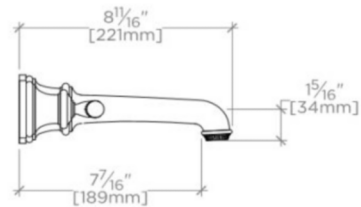
SIDE VIEW

SCALE: 1 1/2" = 1'-0"



FRONT VIEW

SCALE: 1 1/2" = 1'-0"



SIDE VIEW

SCALE: 1 1/2" = 1'-0"

