

HENRY

HN40XT

Henry Deck Mounted Exposed Tub Filler with Handshower and Metal Cross Handles



SHOWN IN HENRY EXPOSED DECK MOUNTED TUB FILLER WITH HANDSHOWER AND METAL CROSS HANDLES| HNXT40

TECHNICAL DETAILS

ADA Compliance: Yes
Adjustable versus Fixed Spray: Fixed Spray
Deck Thickness Maximum: 64 mm
Deck Thickness Minimum: 0 mm
Diameter of Head: 48 mm
Escutcheon Primary Material: Brass
Fittings Hole Diameter: 29 mm
Handle Spread Maximum: 203 mm
Handle Spread Minimum: 203 mm
Handle Turn Angle: Quarter Turn
Handshower / Spray Hose Length: 1.5 m
Depth / Width: 257 mm
Height: 424 mm
Inlet Connection Size: 3/4"
Inlet Connection Type: Male G/BSPP
Inlet Supply Spread Maximum: 203 mm
Inlet Supply Spread Minimum: 203 mm
Installation Type: Deck Mounted
Integrated Diverter: N
Integrated Spray: N
Length: 360 mm
Number of Handles: Two
Number of Holes: Two Hole
Pivot: N
Primary Material: Brass
Restricted Maximum Flow Rate: 9.5 liters/min
Spout Reach: 8 5/16"
Spout Swivel: N
Spray Included in Unit: N
Suggested Application: Bath
Valve Material: Ceramic
Water Pressure Maximum: 5.5 bar
Water Pressure Minimum: 1.5 bar
Water Pressure Recommended: 3.0 bar

INSPIRATION

Influenced by the connection of industry and art Henry easily transitions between modern, traditional, utilitarian and classic settings.

CODES & STANDARDS

Code # : Complies with ASME A112.18.1/CSA B125.1, ASTM E 1621-05 & ANSI A117.1 ADA.

PRODUCT FEATURES

The manufacturing process encompasses casting, turning, forging, hand-fitting and hand polishing.

Brass material is used for components.

Includes deck unions

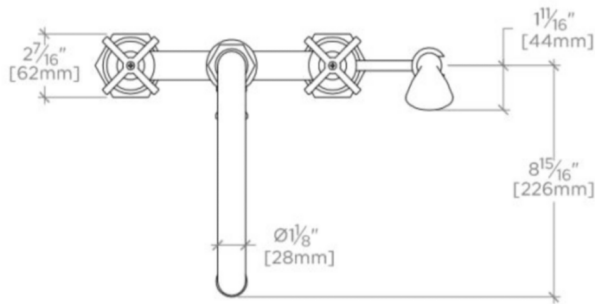
WATERWORKS

HENRY

HN40XT

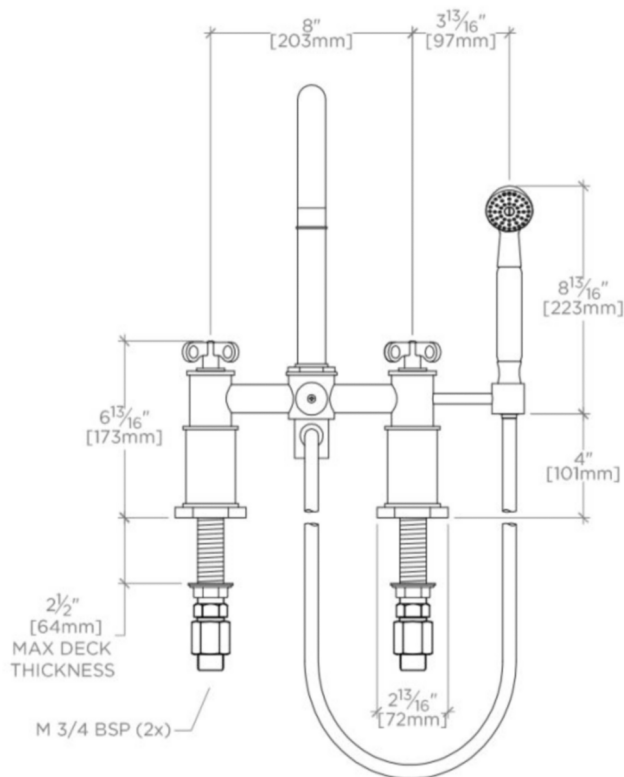
Henry Deck Mounted Exposed Tub Filler with Handshower and Metal Cross Handles

ADAPTER(S) PACKAGED SEPARATELY		
ADAPTER	DESCRIPTION	QTY
UNUK05	3/4" NPT Female x 3/4" Male BSP	2



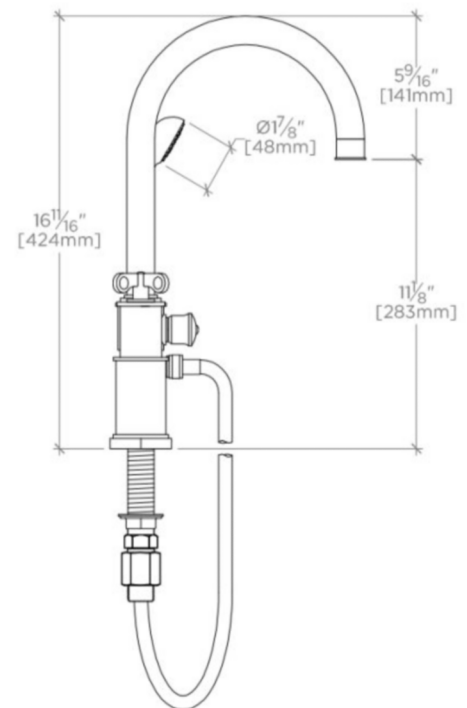
TOP VIEW

SCALE: 1/2"=1'-0"



FRONT VIEW

SCALE: 1/2"=1'-0"



SIDE VIEW

SCALE: 1/2"=1'-0"