

EASTON

EAXS52

Easton Classic Three Cross Handle Exposed Thermostatic System with Shower Rose and Handshower



SHOWN IN EASTON CLASSIC THREE CROSS HANDLE EXPOSED THERMOSTATIC SYSTEM WITH SHOWER ROSE AND

TECHNICAL DETAILS

Adjustable versus Fixed Spray: Fixed Spray
Diameter of Head: 203 mm
Escutcheon Primary Material: Brass
Fittings Hole Diameter: 32 mm
Handshower / Spray Hose Length: 1.5 m
Index Color / Finish and Material: White Porcelain
Index Marking: Blank
Inlet Connection Size: 3/4"
Inlet Connection Type: Male NPT
Inlet Supply Spread Maximum: 206 mm
Inlet Supply Spread Minimum: 206 mm
Installation Type: Wall Mounted
Integrated Diverter: N
Number of Handles: Three
Primary Material: Brass
Suggested Application: Bath
Valve Material: Brass
Water Pressure Maximum: 6.0 bar
Water Pressure Minimum: 1.5 bar
Water Pressure Recommended: 3.0 bar

INSPIRATION

Drawing on Edwardian style, Easton is the most extensive Waterworks family; a range of moods and a selection of products from fittings to furniture.

PRODUCT FEATURES

Built in Anti-scald protection.

An extensive range of fittings, fixture and accessory options for the lavatory, bath and kitchen.

The pillowed propeller on the cross handle makes the product fit comfortably in the hand.

An extensive range of fittings, fixture and accessory options for the lavatory, bath and kitchen.

Stocked in 2.5gpm (9.5 L/min) and 1.75gpm (6.6 L/min). State of California requires 1.75gpm (6.6 L/min) to comply with their water conservation requirements. Other flow options are available to order, contact your sales associate

PRODUCT (NOTES)

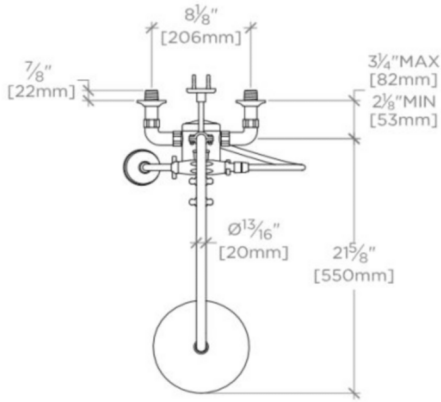
Valve Included

WATERWORKS

EASTON

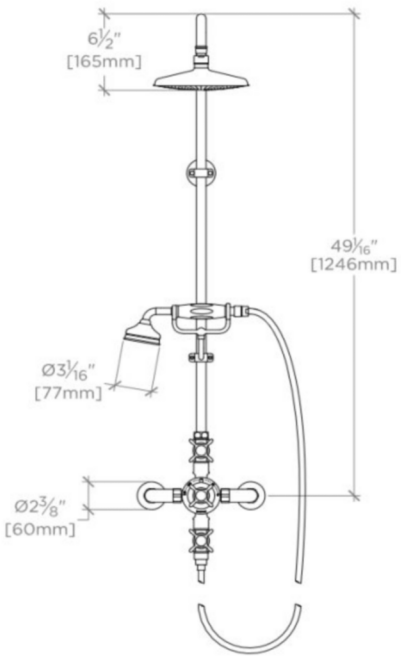
EAXS52

Easton Classic Three Cross Handle Exposed Thermostatic System with Shower Rose and Handshower



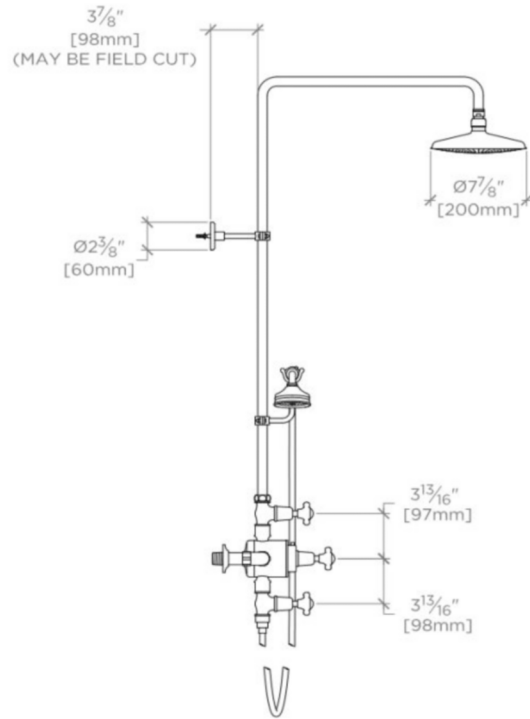
TOP VIEW

SCALE: 3/4"=1'-0"



FRONT VIEW

SCALE: 3/4"=1'-0"



SIDE VIEW

SCALE: 3/4"=1'-0"