

DASH

DS2T10

Two Way Thermostatic Diverter Valve Trim



SHOWN IN TWO WAY THERMOSTATIC DIVERTER VALVE TRIM | DS2T10

TECHNICAL DETAILS

ADA Compliance: Yes
Depth/Width: 2 7/8"
Escutcheon Primary Material: Brass
Fittings Hole Diameter: 2 1/2"
Handle Turn Angle: Quarter Turn Each Way
Installation Type: Wall Mounted
Length: 3 3/4"
Primary Material: Brass
Suggested Application: Bath

INSPIRATION

An imaginative blend of art and function, Dash pays homage to design elements of the 1930s with pared-down shapes, softened curves and minimal details.

CODES & STANDARDS

State of MA

PRODUCT FEATURES

Metal Lever Handle

For use with a Thermostatic shower system and two waterway outlets such as a handshower, shower head, or tub spout

Roman Numeral Icons

Stocked in Nickel, Chrome, Unlacquered Brass, and Matte Nickel finishes

Requires valve rough GUDV14(USA) or GU14DV(UK) sold separately.

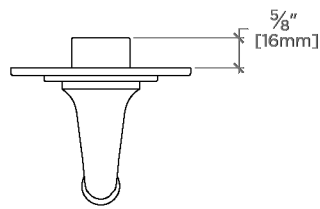
CERTIFICATIONS



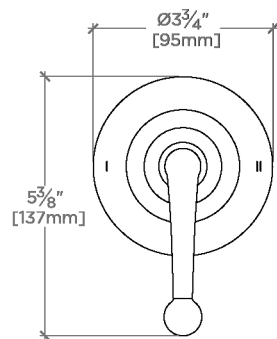
PRODUCT (NOTES)

Product Requires Universal Two Way Diverter Valve for Thermostatic Shower Systems [GUDV14]. Valve Sold Separately.

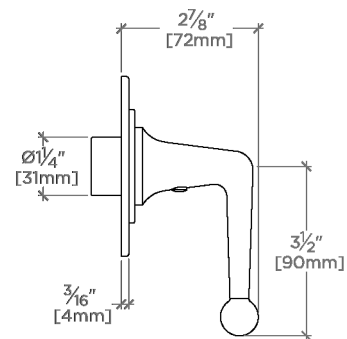
Two Way Thermostatic Diverter Valve Trim



TOP VIEW SCALE: 3"=1'-0"



FRONT VIEW SCALE: 3"=1'-0"



SIDE VIEW SCALE: 3"=1'-0"