

Belden

BEVN11

Belden Single Vanity with Tapered Legs with SALV26 Sink and Slab 37" x 22 1/2" x 34 1/2" with 4" x 3/4" Backsplash



SHOWN IN BELDEN SINGLE VANITY WITH TAPERED LEGS WITH SALV26 SINK AND SLAB 37" X 22 1/2" X 34 1/2" WITH 4" X 3/4" BACKSPLASH | BEVN11

TECHNICAL DETAILS

ADA Compliance: No
 Adjustable Levelers Feet: N
 Bowl Shape: Oval
 Depth To Overflow: 114 mm
 Drain Hole Depth: 44 mm
 Drain Hole Diameter: 44 mm
 Fittings Hole Depth: 32 mm
 Fittings Hole Diameter: 35 mm
 Overflow Opening: Yes
 Primary Material: Wood
 Sink Visibility: N

INSPIRATION

Classic with a twist: Reimagined in a distinctive transitional style, our wood paneled doors complement a range of hardware styles & lend instant architecture to a room.

CODES & STANDARDS

PRODUCT FEATURES

Designed by and exclusive to Waterworks

Hardware sold separately

Stocked in Clear Oak, Antique Walnut Finish or Factory Finished in Chalk, Driftwood, Midnight, Steel, Franklin Gray, or Whisper

Includes Saxby sink and choice of stocked stone tops in Carrara or Arabescato

Install with or without backsplash (included)

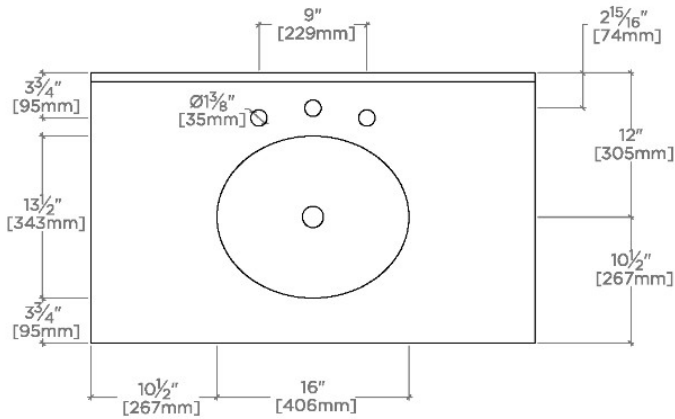
CERTIFICATIONS

PRODUCT (NOTES)

Belden

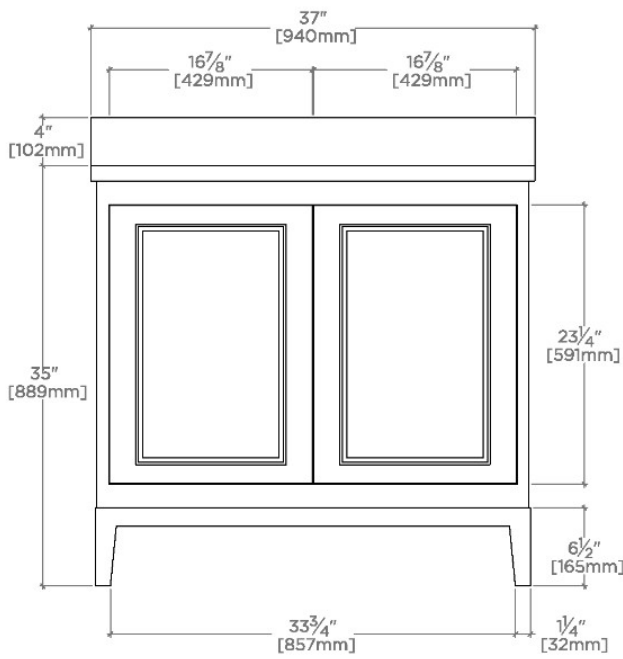
BEVN11

Belden Single Vanity with Tapered Legs with SALV26 Sink and Slab 37" x 22 1/2" x 34 1/2" with 4" x 3/4" Backsplash



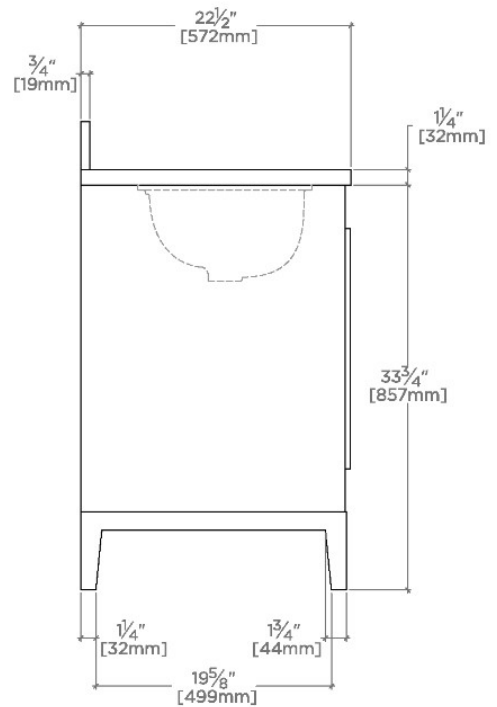
TOP VIEW

SCALE: 3/4"=1'-0"



FRONT VIEW

SCALE: 3/4"=1'-0"



SIDE VIEW

SCALE: 3/4"=1'-0"