

## Bond

BNCB01

Bond Recessed Rectangular Wall Mounted Medicine Cabinet  
24" x 33 9/16" x 5 5/8"



SHOWN IN BOND RECESSED RECTANGULAR WALL MOUNTED MEDICINE CABINET 24" X 33 9/16" X 5 5/8" | BNCB01

### TECHNICAL DETAILS

Installation Type: Wall Mounted  
Number Of Drawers Shelves: Two  
Primary Material: Brass, Wood, Mirror

### INSPIRATION

Modern designs infused with rare soul and artistry. Explore our wide range of Bond bath and kitchen elements, from fittings to fixtures to hardware.

### CODES & STANDARDS

### PRODUCT FEATURES

24" x 33 9/16" x 5 3/8"

2 Adjustable glass shelves

Dark Brass or Nickel Finish, frames a veneered Oak recessed box

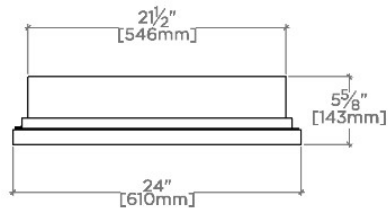
### CERTIFICATIONS

### PRODUCT (NOTES)

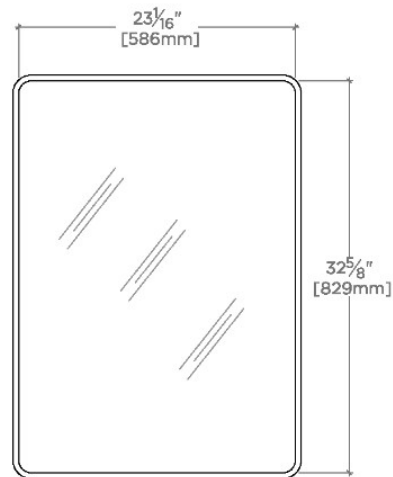
## Bond

BNCB01

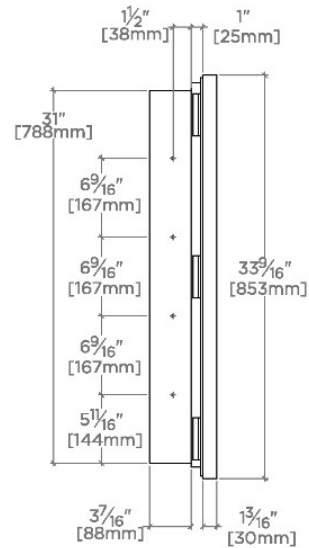
Bond Recessed Rectangular Wall Mounted Medicine Cabinet  
 24" x 33 9/16" x 5 5/8"



TOP VIEW SCALE: 3/4"=1'-0"



FRONT VIEW SCALE: 3/4"=1'-0"



SIDE VIEW SCALE: 3/4"=1'-0"