

ISLA

Isla High Profile Lavatory Faucet with Metal Geode Handles

ISLS05



SHOWN IN ISLA HIGH PROFILE LAVATORY FAUCET WITH METAL GEODE HANDLES| ISLS05

TECHNICAL DETAILS

Adjustable versus Fixed Spray: Fixed Spray
Deck Thickness Maximum: 1 1/4"
Drain Depth Maximum: 2 5/8"
Drain Hole Diameter: 1 3/4"
Drain Style: Push Touch
Escutcheon Primary Material: Brass
Fittings Hole Diameter: 1 1/4"
Handle Spread Maximum: 12"
Handle Spread Minimum: 8"
Handle Turn Angle: Quarter Turn
Drain Depth Minimum: 3/8"
Height: 7 7/16"
Inlet Connection Size: 1/2"
Inlet Connection Type: Male with Supply Nut
Inlet Supply Spread Maximum: 12"
Inlet Supply Spread Minimum: 8"
Number of Holes: Three Hole
Restricted Maximum Flow Rate: 1.2 gpm
Spout Swivel: N
Suggested Application: Bath
Valve Material: Ceramic
Water Pressure Maximum: 85.0 psi
Water Pressure Minimum: 20.0 psi
Water Pressure Recommended: 45.0 psi

INSPIRATION

Pure, timeless, unique and versatile - sculptural organic forms meet advanced engineering in this inspiring collection of fittings, hardware and accessories.

CODES & STANDARDS

Code # ISLS05: CEC

PRODUCT FEATURES

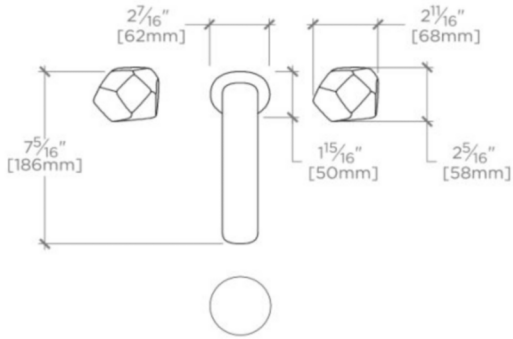
Features faceted Geode Handles
Includes European size push touch drain
Stocked in Nickel, Burnished Nickel, and Burnished Brass
Available in 1.2gpm (4.5L/min) flow rate

WATERWORKS

ISLA

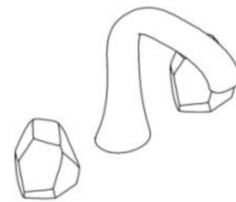
Isla High Profile Lavatory Faucet with Metal Geode Handles

ISLS05



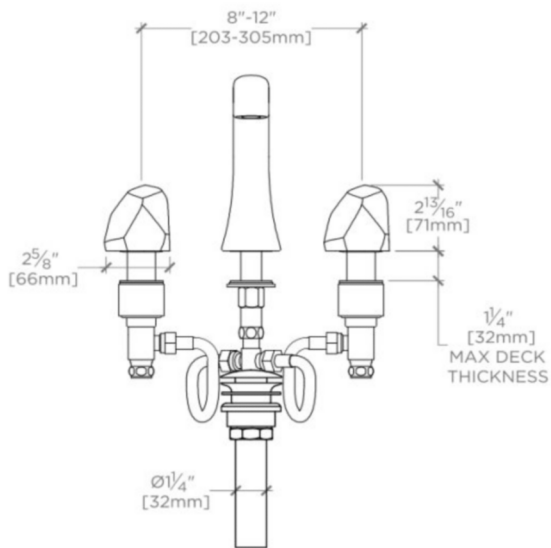
TOP VIEW

SCALE: 1/2"=1'-0"



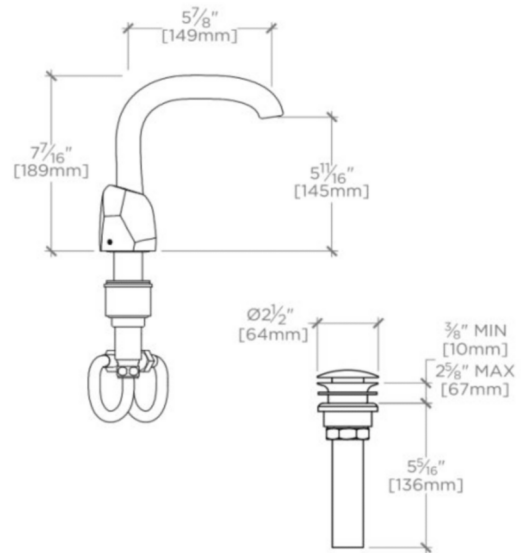
ISO VIEW

SCALE: 1/2"=1'-0"



FRONT VIEW

SCALE: 1/2"=1'-0"



SIDE VIEW

SCALE: 1/2"=1'-0"