

HENRY

HN10TF

Henry Low Profile Concealed Tub Filler With Handshower and Metal Lever Handles



SHOWN IN HENRY LOW PROFILE CONCEALED TUB FILLER WITH HANDSHOWER AND METAL LEVER HANDLES| HNTF10

TECHNICAL DETAILS

ADA Compliance: Yes
 Adjustable versus Fixed Spray: Fixed Spray
 Deck Thickness Maximum: 35 mm
 Deck Thickness Minimum: 5 mm
 Diameter of Head: 48 mm
 Escutcheon Primary Material: Brass
 Fittings Hole Diameter: 41 mm
 Flow Restriction Options: 2.0, 1.75, 1.5, 0.92
 Handle Spread Maximum: 305 mm
 Handle Spread Minimum: 254 mm
 Handle Turn Angle: Quarter Turn
 Handshower / Spray Hose Length: 2.0 m
 Depth / Width: 254 mm
 Height: 160 mm
 Inlet Connection Size: 3/4"
 Inlet Connection Type: Male G/BSPP
 Inlet Supply Spread Maximum: 305 mm
 Inlet Supply Spread Minimum: 254 mm
 Installation Type: Deck Mounted
 Integrated Diverter: N
 Integrated Spray: N
 Length: 497 mm
 Number of Handles: Two
 Number of Holes: Four Hole
 Pivot: N
 Primary Material: Brass
 Restricted Maximum Flow Rate: 9.5 liters/min
 Spout Reach: 8"
 Spout Swivel: N
 Spray Included in Unit: N
 Suggested Application: Bath
 Valve Material: Ceramic
 Water Pressure Maximum: 5.5 bar
 Water Pressure Minimum: 1.5 bar
 Water Pressure Recommended: 3.0 bar

INSPIRATION

Influenced by the connection of industry and art Henry easily transitions between modern, traditional, utilitarian and classic settings.

PRODUCT FEATURES

Brass material is used for components

Brass material is used for component.

Standard flow rate is 2.5gpm for handshower only. Also available in high efficiency flow options.

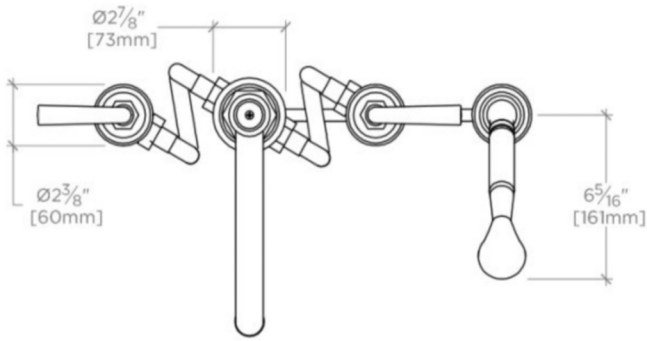
Contact your sales associate or call 1 (800) 899-6757 for details.

WATERWORKS

HENRY

HN10TF

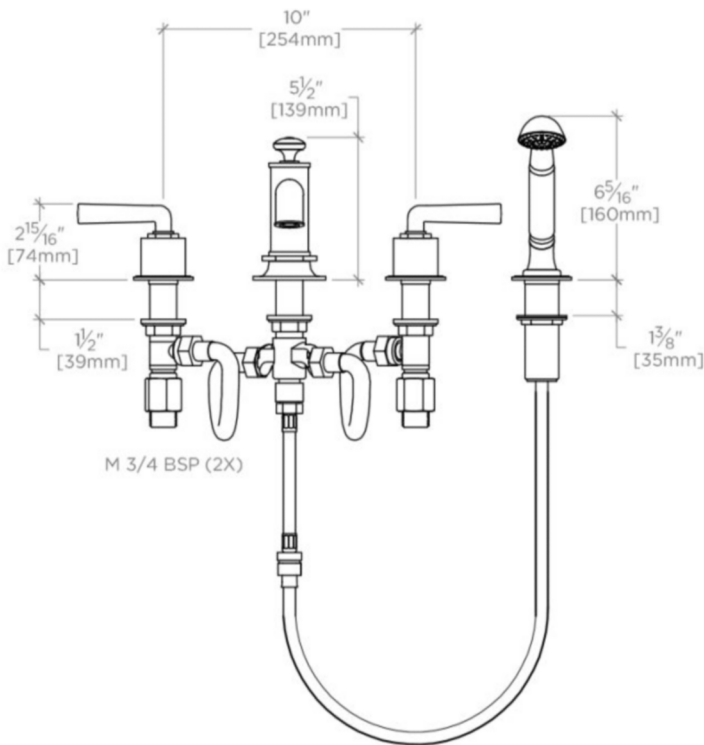
Henry Low Profile Concealed Tub Filler With Handshower and Metal Lever Handles



TOP VIEW

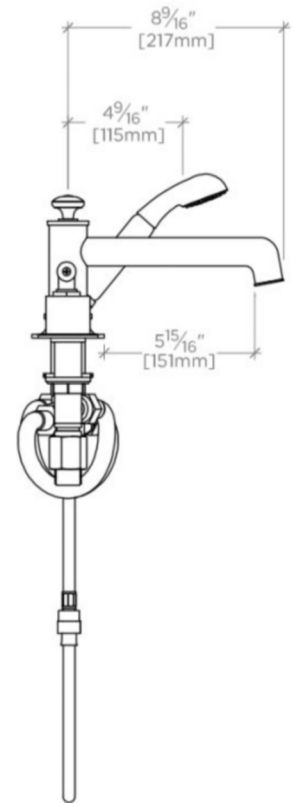
SCALE: 1 1/2"=1'-0"

ADAPTER(S) PACKAGED SEPARATELY		
ADAPTER	DESCRIPTION	QTY
UNUK05	3/4" NPT Female x 3/4" Male BSP	2



FRONT VIEW

SCALE: 1 1/2"=1'-0"



SIDE VIEW

SCALE: 1 1/2"=1'-0"