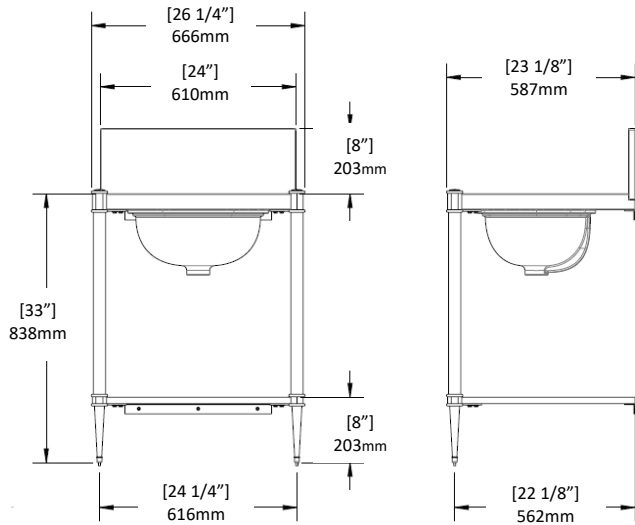


# WATERWORKS INSTALLATION GUIDELINES

Camden 24" with MRLVHU Sink 24" 5CM Plain  
Squared Slab, Shelf, and Backsplash



**WARNING:**

- This product is extremely heavy. It is **STRONGLY** recommended that 2 or more persons install this product.
- If no blocking has been installed **STOP** this installation until structural blocking is available.

**IMPORTANT:**

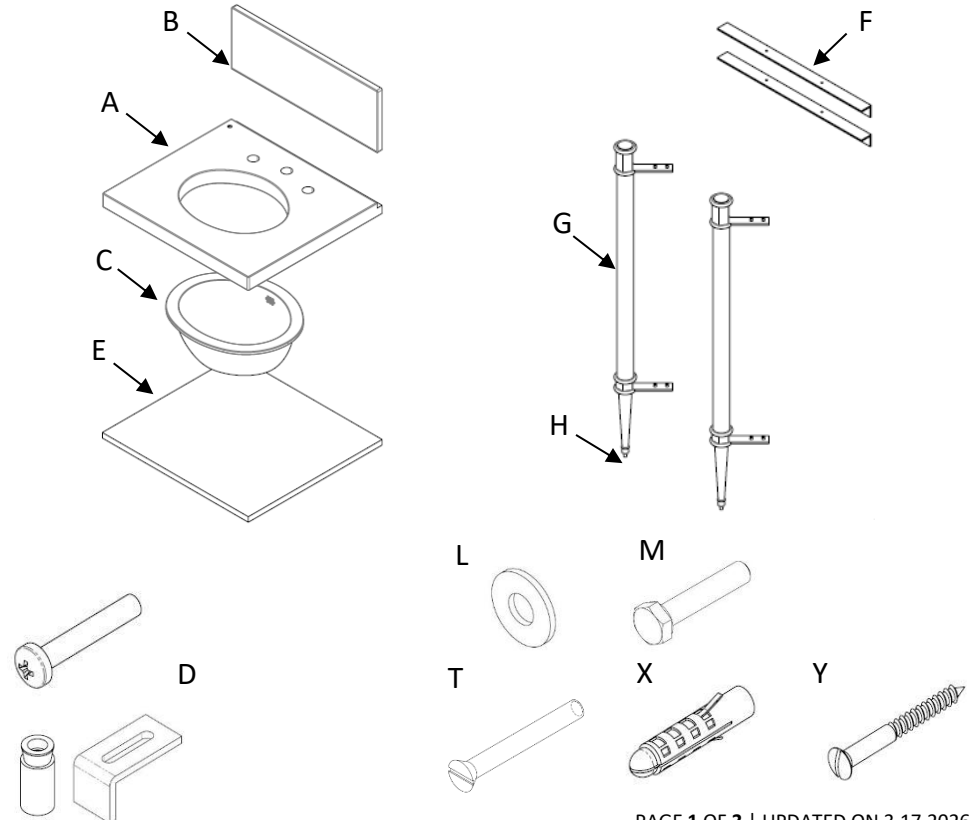
- To ensure this product is installed properly, you must read and follow these guidelines.
- The owner/user of this product must keep this information for future reference.
- This product must be installed by a professional licensed contractor.
- Be sure your installation conforms to federal, state, and local codes. In the State of Massachusetts, all installations must comply with the rules and regulations set forth within 248 CMR.
- Inspect this product to ensure you have all the parts required for proper installation.
- **CAUTION:** Use only a strap wrench or protected/smooth-jaw wrench on ANY finished surface.
- Ensure the floor is level and the weight of this product will be adequately supported.
- The use of certain plumber's putty may stain stone or tile surfaces.
- **CAUTION:** Take caution when applying the silicone and only use the necessary amount to ensure it won't cause staining.
- Use painter's tape to ensure a clean application.
- If further assistance is required, please contact Product Support at 1-800-927-2120 Monday through Friday, 8am – 6pm EST.

**TECHNICAL DETAILS:**

DETAIL	SPECIFICATION
ADJUSTABLE LEVELERS/FEET	YES
LEG MATERIAL	BRASS
TUBE SIZE	1 1/2" [38mm]
SLAB THICKNESS	2" [50mm]
WEIGHT (LEGS ONLY)	17 1/2 LBS [8KG]
WEIGHT (MARBLE TOP)	88 LBS [40KG]

**Contents**

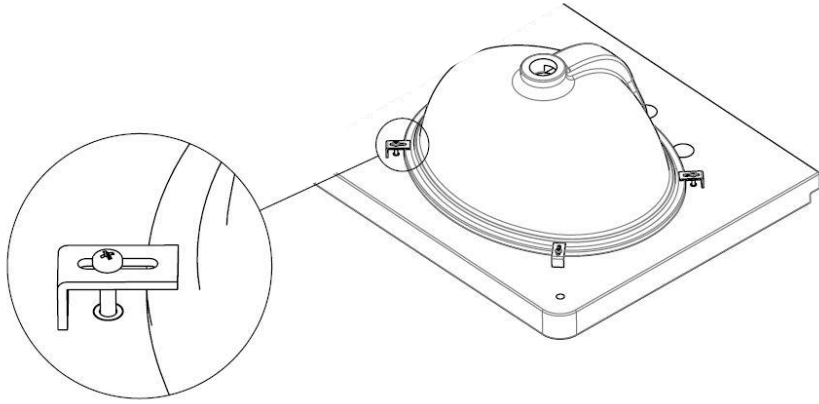
- |                             |                                  |                       |
|-----------------------------|----------------------------------|-----------------------|
| A. Slab Top                 | F. Wall Support Bracket (UNSS92) | T. 4 x M5 Screws      |
| B. Backsplash               | G. 2 x Leg Assembly              | X. 6 x Wall Anchors   |
| C. MRLVHU Sink              | H. 2 x Position Pins             | Y. 6 x 2" Wall Screws |
| D. Sink Fixing Kit (KSSS99) | L. 8 x M6 Washer                 |                       |
| E. Bottom Shelf             | M. 8 x M6 x 12mm Screw           |                       |



# WATERWORKS INSTALLATION GUIDELINES

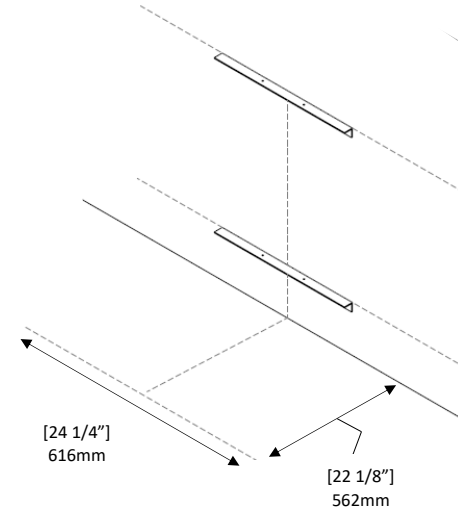
Camden 24" with MRLVHU Sink 24" 5CM Plain  
Squared Slab, Shelf, and Backsplash

Fig 1



1. Position the Sink (C) on the underside of the Slab Top (A), ensuring correct alignment. Apply a suitable adhesive (not supplied) to fix the sink in place. While the adhesive cures, use the provided Sink Fixing Kit (D) to secure the sink in place. Refer to **Fig. 1**.
2. Before installation, plan and ensure that there is the necessary structural blocking and holes for pipework already prepared.
3. Locate the centerline of the washstand. Measure 31" up from the finished floor and position the Wall Support Brackets (F) at this height, ensuring they are mounted into structural blocking. Use the provided countersink Wall Screws (Y) to secure the bracket to the wall. Confirm the bracket is level using a spirit level. Refer to **Fig. 2**.

Fig 3



4. Using a 3/8" (7mm) drill bit, drill holes 10mm deep into the floor at the marked leg center positions for the Position Pins (K). Refer to **Fig. 3**.
5. Insert the Position Pins (K) into both the top and bottom ends of each Leg Assembly (G).
6. Thoroughly clean all contact surfaces to remove dust, debris, or oils that may affect adhesion.
7. [Two people required] While supporting the front edge of the Slab Top (A), dry-fit all components, including the Leg Assemblies (G). Ensure that the Position Pins (K) at the top of the legs align with the pre-drilled holes on the underside of the slab, and the Position Pins (K) at the bottom fit securely into the floor holes.
8. Then apply adhesive silicone (not supplied) to the Wall Support bracket (F). Next, re-fit the Bottom Shelf (E) & secure it with the M6 x 12mm Screws (M) & M6 Washers (L). Refer to **Fig. 4**.

Fig 2

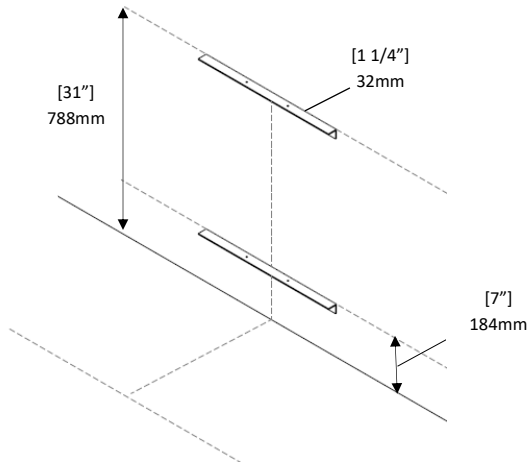
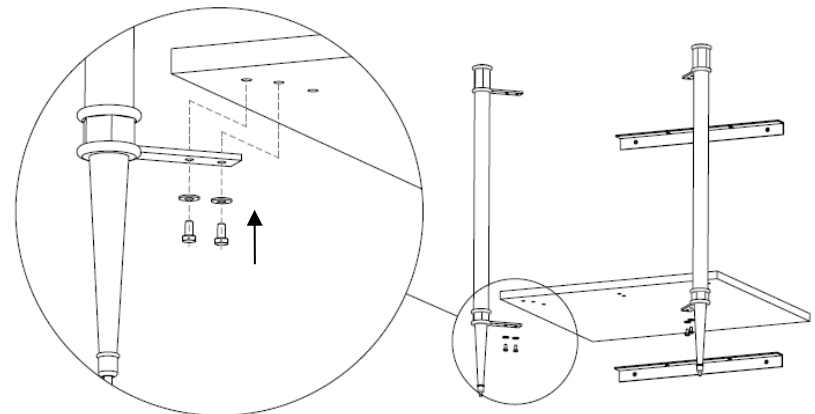
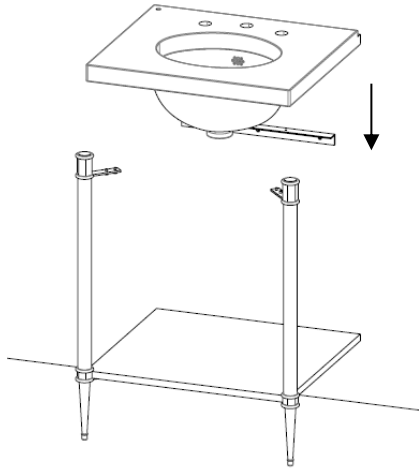


Fig 4



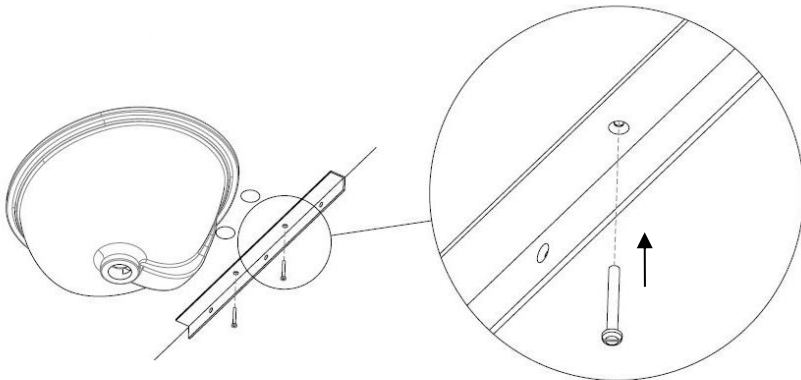
# WATERWORKS INSTALLATION GUIDELINES

Fig 5



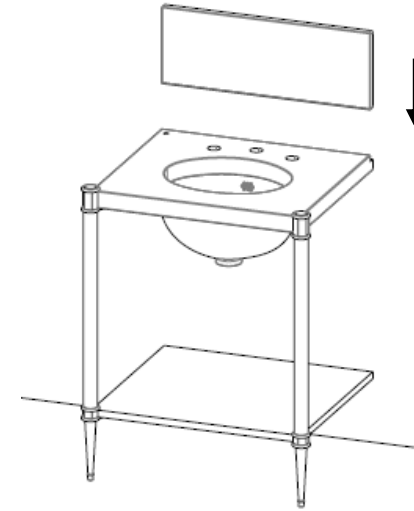
9. Proceed to repeat this process for the Top Slab (A). Top caps can be unscrewed if needed. Refer to Fig. 5.
10. Use the M5 Screws (T) provided to secure the Slab Top (A) to the Wall Support Bracket (F). Refer to Fig. 6.

Fig 7



Camden 24" with MRLVHU Sink 24" 5CM Plain  
Squared Slab, Shelf, and Backsplash

Fig 6



11. Apply adhesive silicone (not supplied) to the back of the Backsplash (B). Position it carefully against the wall and Slab Top (A), pressing firmly into place. Hold or support it as needed until the adhesive has cured sufficiently. Refer to the adhesive manufacturer's instructions for cure time.
12. Apply a suitable silicone sealant (not supplied) to all exposed joints and edges where the Slab Top (A) and Backsplash (B) meet the wall. Wipe away any excess for a clean finish.
13. Once all adhesive and sealants have fully cured, proceed to connect the plumbing fixtures and faucet according to the manufacturer's instructions.