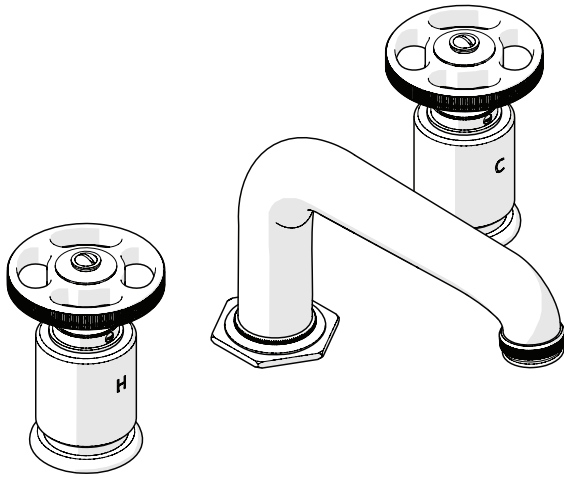


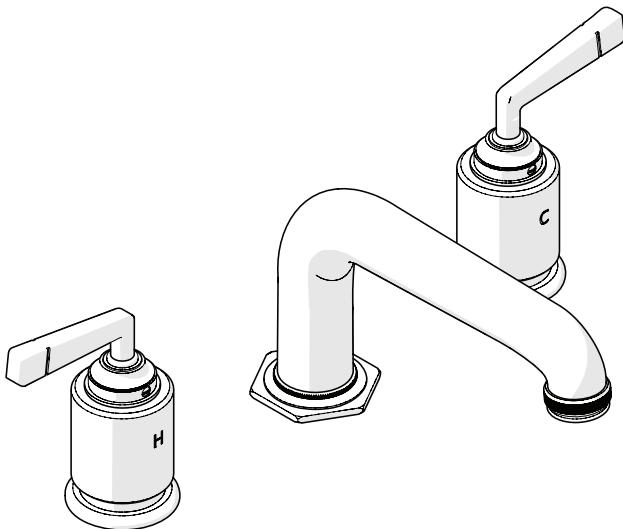
Metal Wheel Handles

STYLE No. RWLS20



Metal Lever Handles

STYLE No. RWLS30

**SPECIFICATIONS:**Drain Depth: 2-5/8" **Maximum**Drain Depth: 3/8" **Minimum**

Drain Hole Diameter: Ø1-3/4"

Drain Style: Push Touch (Drain Included)

Fitting Hole Diameter: Ø1-3/8"

Handle Spread: 12" **Maximum**

Handle Spread: 8"

Inlet Connection Size: 1/2"

Inlet Connection Type: Male with supply nut

Deck Thickness: 1 -5/8" **Maximum**Deck Thickness: 1/4" **Minimum**Water Pressure: 80psi **Maximum**Water Pressure: 20psi **Minimum**

Recommended Water Pressure: 45psi

IMPORTANT:

- To ensure this product is installed properly, you must read and follow these guidelines.
- The owner/user of this product must keep this information for future reference.
- Be sure your installation conforms to all federal, state, and local codes. In the State of Massachusetts, all installations must comply with the rules and regulations set forth within 248 CMR.
- This product must be installed by a professional licensed contractor.
- Inspect this product to ensure you have all the parts required for proper installation.
- Use only a strap wrench or protected/smooth-jaw wrench on any finished surface.
- **DO NOT** use putty on deck fittings. Upper and lower washers are provided.

HANDLE INSTALLATION:

1. Remove the handle assembly (1 or 2) and upper washer (3) from the side valve (6). Do **not** remove the lower washer (4) and nut (5).

NOTE: The screw on the front of the handle assembly is aesthetic and does **not** serve any mechanical purposes and should **not** be removed.

2. Thread the nut (5) all the way down and insert the side valve (6) into the hole from underneath the mounting surface, then thread the handle assembly back onto the side valve until it is fully seated. Ensure that the washer (3) is underneath the handle assembly.
3. Tighten the nut (5) up against the bottom of the mounting surface to secure the handle assembly.
4. Repeat steps 1-3 to install the second side valve (6 or 18) and handle (19 or 20).

SPOUT INSTALLATION:

5. Remove the tee (16), washer (7) and mounting hardware (13-15) from the spout (11).
6. Insert the spout into the hole on the mounting surface making sure the o-ring (12) is underneath the spout.
7. Re-attach the mounting hardware (13-15) and tighten the nut (15) to the bottom of the mounting surface to secure the spout.
8. Re-attach the tee (16) making sure the washer (17) is in the outlet.
9. Connect the supply hoses (17) to the tee then to the adjacent side valve. Make sure the hoses are **not** pinched/kinked.

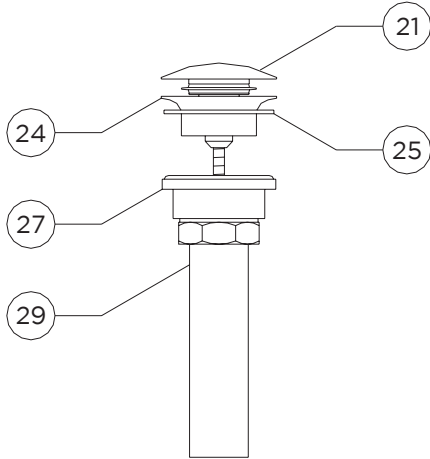
These guidelines have been prepared for the professional contractor to aid in the installation of:
 RW ATLAS LOW PROFILE THREE HOLE LAVATORY FAUCET WITH METAL WHEEL HANDLES
 (STYLE No. RWLS20) & METAL LEVER HANDLES (STYLE No. RWLS30)
 All dimensions are based on original specification and are subject to change and variation.
 PLEASE CONSULT YOUR DESIGN ASSOCIATE FOR CURRENT SPECIFICATIONS.

WATERWORKS

DRAIN INSTALLATION:

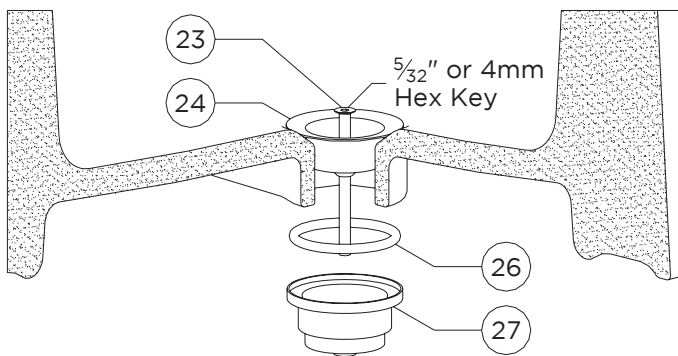
10. Unthread and remove the drain stopper (21) and lower drain body (27) from the drain flange (24). The foam washer (25) can be discarded then remove the tailpiece (29) from the lower drain body.

FIGURE - 01



11. Set the drain flange (24) in the lavatory drain opening using putty or a clear adhesive silicone depending on the mounting surface material.* Reinstall the lower drain body (27) making sure to use the rubber gasket (26) provided and tighten until fully secured. Putty or a clear adhesive silicone may be used to ensure a water-tight seal between the gasket and lavatory.*

FIGURE - 02



12. Re-install the tailpiece (29) using the washer (28) and nut (30) then re-install the drain stopper (21).
13. Connect the side valves to the water supply valves (**not supplied**).

INSPECT THE INSTALLATION:

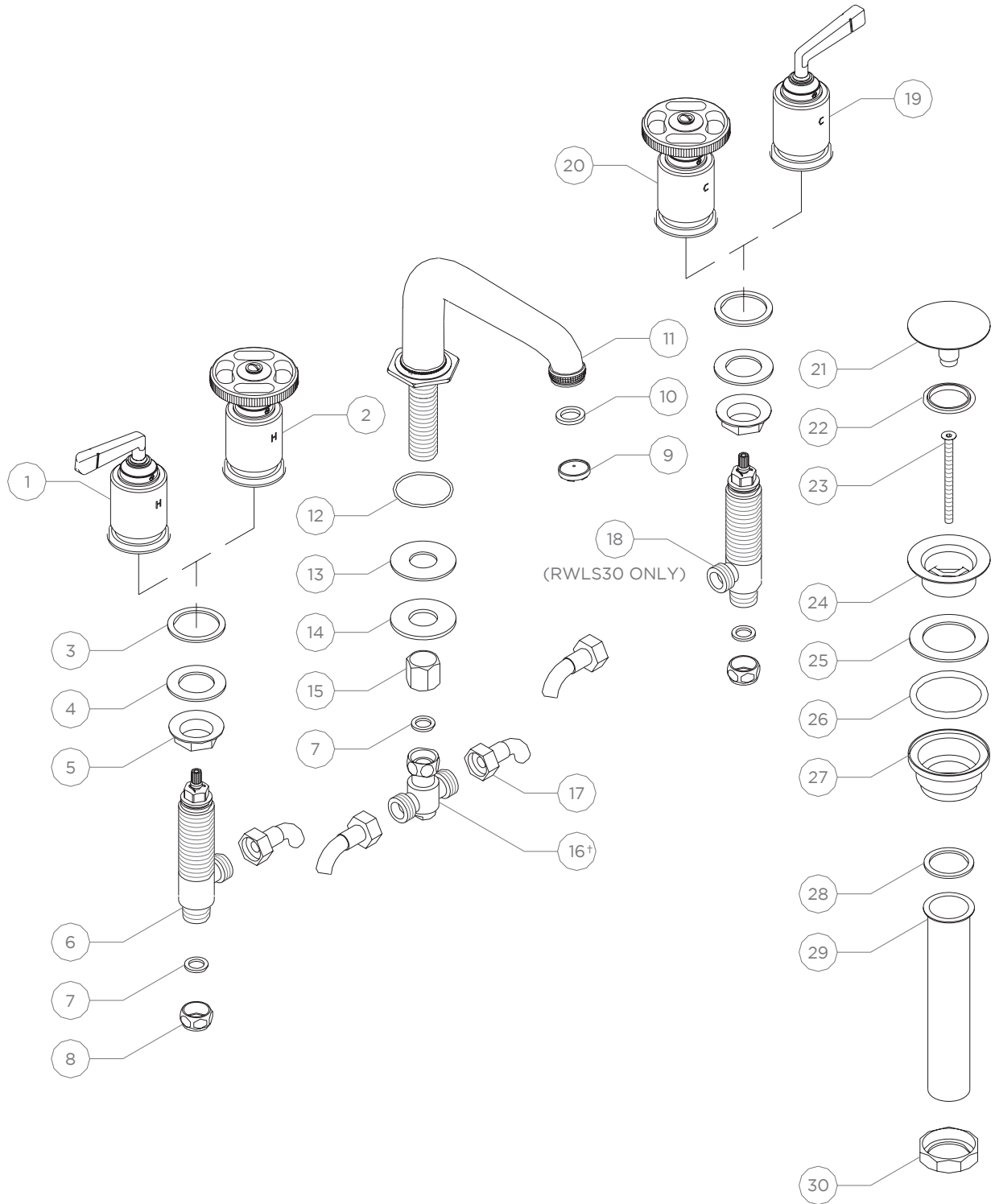
14. Remove the flow restricting aerator (9) using a flat head screwdriver or a coin, then carefully open the **hot** and **cold** valves to flush out any debris in the SUPPLY LINES.

15. Inspect all connections for **leaks**.
16. Close the drain and fill the sink with water to make sure the drain stopper (21) and gasket (22) operates and seals properly.
17. Re-install the flow restricting aerator making sure the washer (10) is in place.

➤ **If further assistance is required, please contact Product Support at 1-800-927-2120 (8am-6pm EST).**

* Putty contains oils and can cause permanent discoloration on certain materials such as marble, granite and any porous surface.

These guidelines have been prepared for the professional contractor to aid in the installation of:
RW ATLAS LOW PROFILE THREE HOLE LAVATORY FAUCET WITH METAL WHEEL HANDLES (STYLE No. RWLS20) & METAL LEVER HANDLES (STYLE No. RWLS30)
All dimensions are based on original specification and are subject to change and variation.
PLEASE CONSULT YOUR DESIGN ASSOCIATE FOR CURRENT SPECIFICATIONS.



These guidelines have been prepared for the professional contractor to aid in the installation of:
 RW ATLAS LOW PROFILE THREE HOLE LAVATORY FAUCET WITH METAL WHEEL HANDLES
 (STYLE No. RWLS20) & METAL LEVER HANDLES (STYLE No. RWLS30)
 All dimensions are based on original specification and are subject to change and variation.
 PLEASE CONSULT YOUR DESIGN ASSOCIATE FOR CURRENT SPECIFICATIONS.

WATERWORKS

	SL No.	Description	QTY
HGLS01 (CROSS HANDLE)	1	Cross Handle	2
	10	Valve Body, Clockwise Close	2
HGLS10 (LEVER HANDLE)	2	Lever Handle	2
	10	Valve Body, Clockwise Close	1
	24	Valve Body, Counterclockwise Close	1
COMMON PARTS	3	Escutcheon	2
	4	Foam Gasket	2
	5	Retaining Collar	2
	6	Retaining Collar O-Ring	2
	7	Rubber Washer	3
	8	Metal Washer	3
	9	Nut	3
	11	Inlet Supply Nut	2
	12	Lift Knob & Rod	1
	13	Spout Assembly	1
	14	Rubber Gasket	1
	15	Rubber Washer	1
	16	Flow Restrictor Cap	1
	17	Flow Restrictor	1
	18	Flexible Supply Hose	2
	19	Strainer Washer	1
	20	Inlet Tee	1
	21	O-Ring	1
	22	Spacer	1
	23	Packing Nut	1
	25	Screw	1
	26	Rod Connecting Link	1
	27	Retaining V-Clip	1
	28	Nut	1
	29	Horizontal Pivot Rod	1
	30	Plastic Sleeve	1
	31	Pop-Up Drain	1
	32	Upper Drain Flange	1
33	Washer	1	
34	Formed Gasket	1	
35	Drain Nut	1	
36	Washer	1	
37	Lower Drain Body	1	
38	Tailpiece	1	

These guidelines have been prepared for the professional contractor to aid in the installation of:
 RW ATLAS LOW PROFILE THREE HOLE LAVATORY FAUCET WITH METAL WHEEL HANDLES
 (STYLE No. RWLS20) & METAL LEVER HANDLES (STYLE No. RWLS30)
 All dimensions are based on original specification and are subject to change and variation.
 PLEASE CONSULT YOUR DESIGN ASSOCIATE FOR CURRENT SPECIFICATIONS.

WATERWORKS