

FINOT

NKM220

Finot Two Hole Kitchen Mixer with Lever Handle and Integrated Pull Spray



SHOWN IN FINOT TWO HOLE KITCHEN MIXER WITH LEVER HANDLE AND INTEGRATED PULL SPRAY | NKM220

TECHNICAL DETAILS

ADA Compliance: No
 Adjustable Versus Fixed Spray: Adjustable
 Deck Thickness Maximum: 1 3/16"
 Deck Thickness Minimum: 3/8"
 Fittings Hole Diameter: 1 1/2"
 Handle Turn Angle: Quarter Turn
 Handshower Spray Hose Length: 59"
 Inlet Connection Size: 3/8"
 Inlet Connection Type: Compression Connection Hoses
 Restricted Maximum Flow Rate: 1.75 gpm
 Spout Swivel: Y
 Spray Included In Unit: Y
 Valve Material: Ceramic
 Water Pressure Maximum: 85.0 psi
 Water Pressure Minimum: 20.0 psi
 Water Pressure Recommended: 45.0 psi

INSPIRATION

Finot seamlessly blends meticulous details with contemporary sensibility. A true integration of design and engineering expertise, this collection is comprised of parts that are decisively cast and forged to achieve painstaking precision and refinement.

CODES & STANDARDS

NKM220X, NSF/ANSI/CAN 61:Q < 1, NSF/ANSI/CAN 372, ASME A112.18.1/CSA B125.1

PRODUCT FEATURES

Lever Handle

The pull-out spray faucet switches between an aerated stream and a jet spray, with a sliding button that locks the spray mode.

The handle is recommended for right-side installation. The progressive valve operates clockwise from off to cold to hot.

Stocked in Chrome, Nickel, Brass and Dark Nickel

CERTIFICATIONS

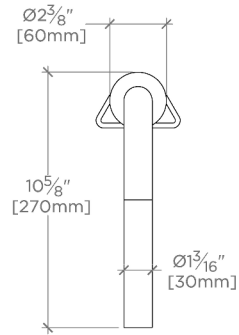


PRODUCT (NOTES)

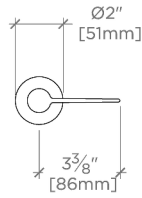
FINOT

NKM220

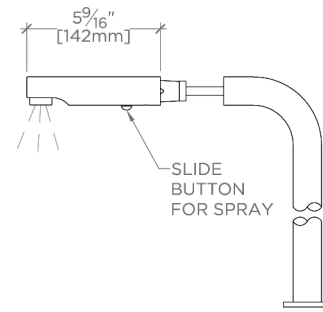
Finot Two Hole Kitchen Mixer with Lever Handle and Integrated Pull Spray



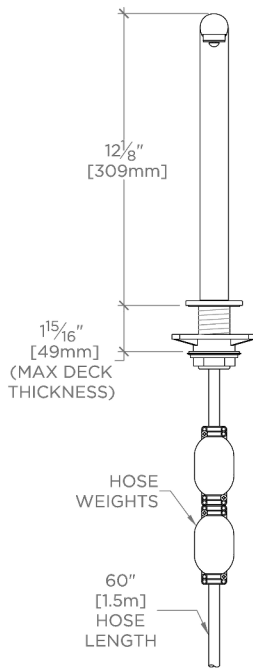
TOP VIEW



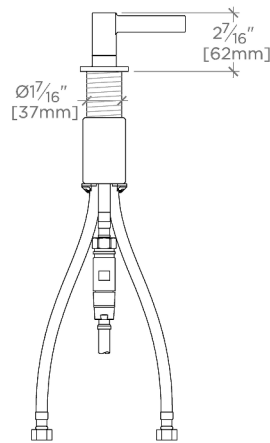
SCALE: 1/2"=1'-0"



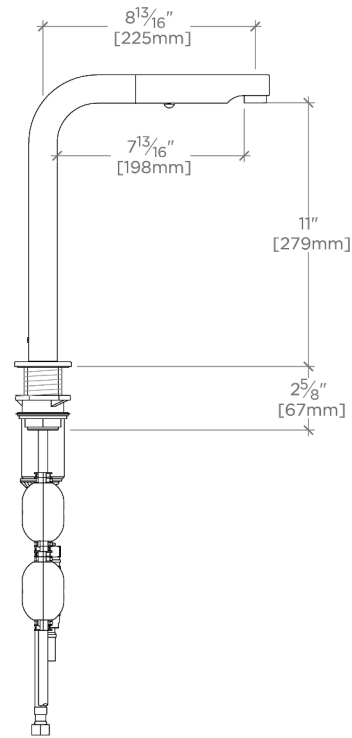
SPRAY OPERATION



FRONT VIEW



SCALE: 1/2"=1'-0"



SIDE VIEW

SCALE: 1/2"=1'-0"