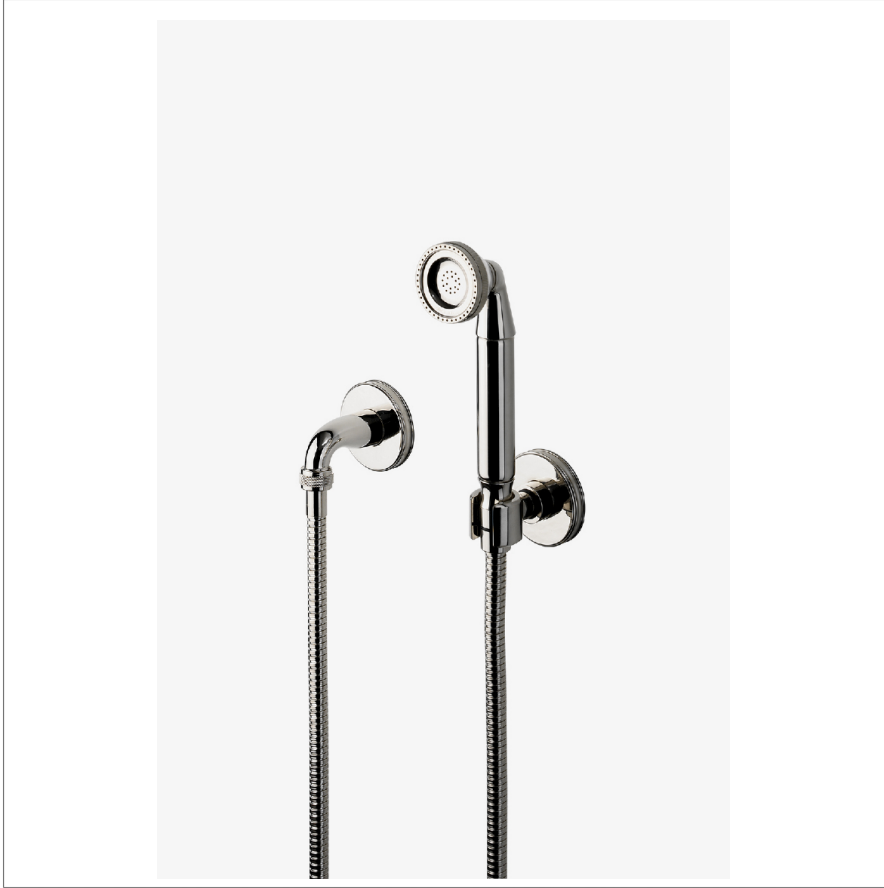


BOULEVARD

BDHS25

Boulevard Handshower On Hook with Metal Handle



SHOWN IN BOULEVARD HANDSHOWER ON HOOK WITH METAL HANDLE | BDHS25

TECHNICAL DETAILS

Adjustable Versus Fixed Spray: Fixed Spray
Depth/Width: 4 1/4"
Diameter Of Head: 1 15/16"
Escutcheon Primary Material: Brass
Fittings Hole Diameter: 1 1/4"
Flow Restriction Options: 2.5, 2.2, 2.0, 1.75, 1.5, 0.92
Handshower Spray Hose Length: 59"
Height: 10 1/2"
Inlet Connection Size: 1/2"
Inlet Connection Type: Female NPT
Installation Type: Wall Mounted
Integrated Diverter: N
Length: 10 1/2"
Pivot: Y
Primary Material: Brass
Suggested Application: Bath
Water Pressure Maximum: 75.0 psi
Water Pressure Minimum: 20.0 psi
Water Pressure Recommended: 45.0 psi

INSPIRATION

Inspiration from 1930s objects evokes extravagance: a strong silhouette, lavish scale and elegant decoration. Machine and artisan hands yield crisp details and curves.

CODES & STANDARDS

ASME A112.18.1/CSA B125.1, Waterworks Handshowers use check valves compliant to ASME A112.18.3 for backflow protection. State of MA, CEC

PRODUCT FEATURES

Handshower features 2" head with adjustable spray

Solidly sized and generous in scale, decorative elements convey a sense of substance

Stocked in Nickel and Unlacquered Brass

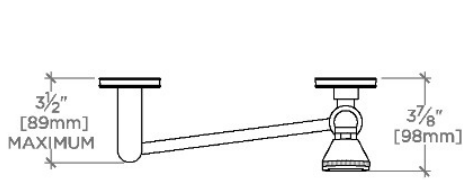
Stocked in 2.5gpm (9.5L/min) flow rate. Alternate flow regulation of 1.75gpm (6.6/min) also available as special order

CERTIFICATIONS



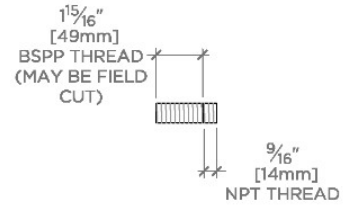
PRODUCT (NOTES)

Boulevard Handshower On Hook with Metal Handle

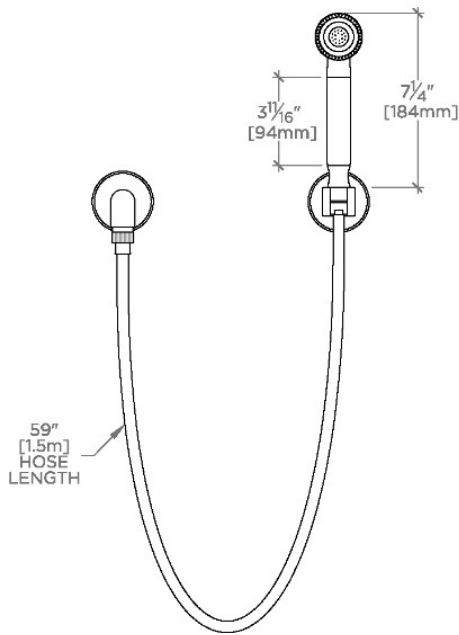


TOP VIEW

SCALE: 1 1/2" = 1'-0"

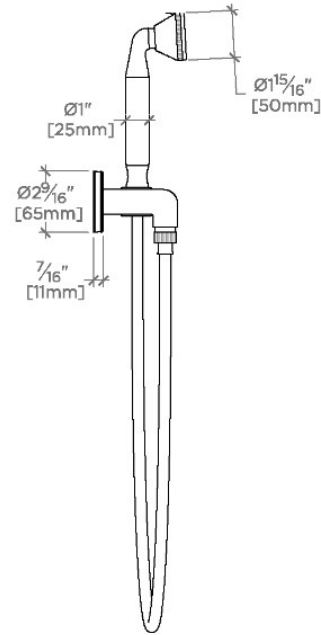


ADAPTER INCLUDED - INTERNATIONAL USE ONLY



FRONT VIEW

SCALE: 1 1/2" = 1'-0"



SIDE VIEW

SCALE: 1 1/2" = 1'-0"