

BOND

BNCB01

Bond Recessed Rectangular Wall Mounted Medicine Cabinet
24" x 33 9/16" x 5 5/8"



SHOWN IN BOND RECESSED RECTANGULAR WALL MOUNTED MEDICINE CABINET 24" X 33 9/16" X 5 5/8" | BNCB01

TECHNICAL DETAILS

Installation Type: Wall Mounted
Number Of Drawers Shelves: Two
Primary Material: Brass, Wood, Mirror

INSPIRATION

Modern designs infused with rare soul and artistry. Explore our wide range of Bond bath and kitchen elements, from fittings to fixtures to hardware.

CODES & STANDARDS

PRODUCT FEATURES

24" x 33 9/16" x 5 3/8"

2 Adjustable glass shelves

Dark Brass or Nickel Finish, frames a veneered Oak recessed box

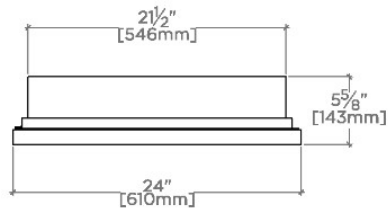
CERTIFICATIONS

PRODUCT (NOTES)

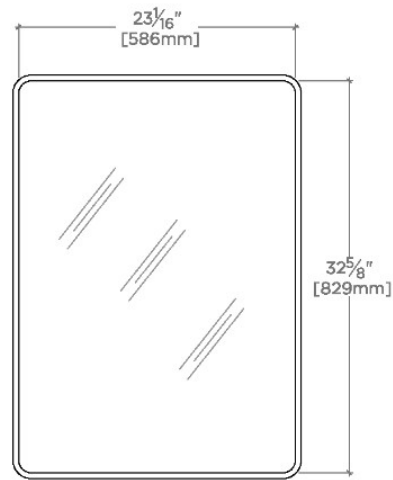
BOND

BNCB01

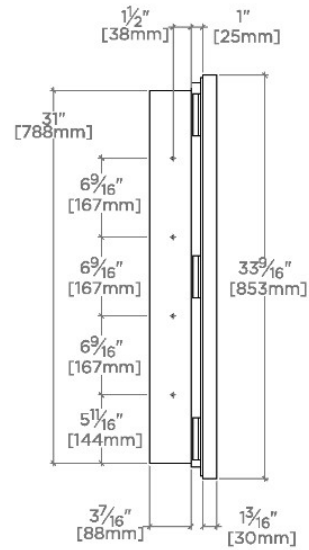
Bond Recessed Rectangular Wall Mounted Medicine Cabinet
 24" x 33 9/16" x 5 5/8"



TOP VIEW SCALE: 3/4"=1'-0"



FRONT VIEW SCALE: 3/4"=1'-0"



SIDE VIEW SCALE: 3/4"=1'-0"