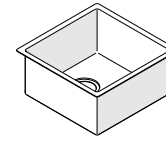


WATERWORKS

INSTALLATION GUIDELINES



STYLE No. KRSK17

Kerr 16 7/8" x 16 7/8" Stainless Steel Undermount
Prep Sink with Rear Drain

IMPORTANT:

- To ensure this product is installed properly, you must read and follow these guidelines.
- The owner/user of this product must keep this information for future reference.
- This product must be installed by a professional licensed contractor. Be sure your installation conforms to all federal, state, and local codes.
- The dimensions are based on original specifications and are subject to change and variation. Dimensions taken for the purpose of cutting templates should always be taken from each product directly. For flush/no reveal or reveal installations, the physical sink is required due to sink tolerances.
- The use of certain plumber's putty may stain stone or tile surfaces.
- Ensure that the cabinet is properly sized for the sink being used. The cabinet must be plumbed, level, and securely installed prior to installing the sink.
- Adequate support framing is required for undermount sink installations. Ensure that the screws used to attach the framing are long enough to sure the framing but short enough to prevent the screws from damaging the adjacent cabinets.
- Select the mounting clips (not provided) appropriate for the countertop material being used.
- The quantity of clips required should be based on the weight and size of the SINK. Refer to the manufacturer for suggested quantities.
- The countertop does not need to be installed onto the cabinets for this installation.

TECHNICAL DETAILS:

DETAIL	SPECIFICATION
DRAIN HOLE DIAMETER	3-1/2" [89mm]
GARBAGE DISPOSAL	YES
SOUND PROOFING	YES

REQUIRED PLUMBING DETAILS:

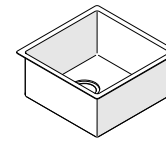
Universal Kitchen Sink Strainer 3-1/2"

STYLE No. UNKS30

UNDERMOUNT INSTALLATION WITH MOUNTING CLIPS:

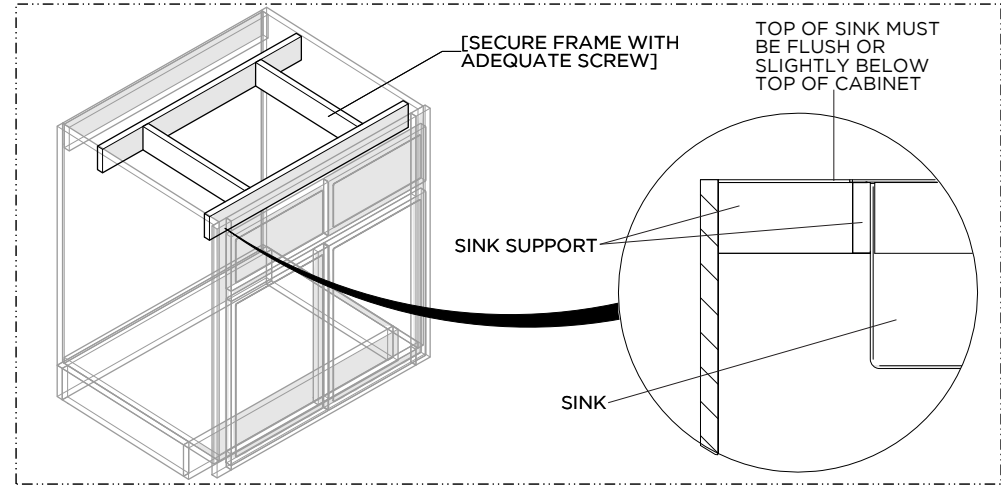
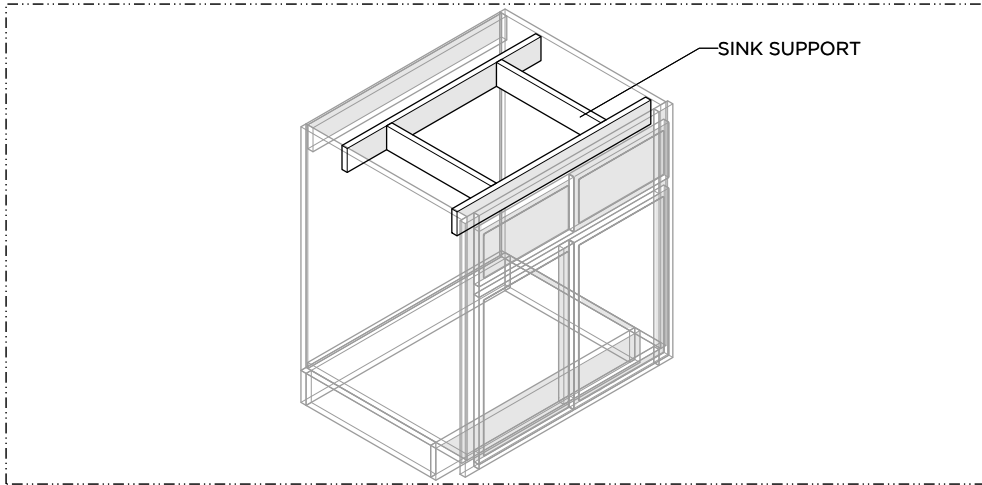
1. Verify cabinet, SINK, faucet, and countertop dimensions to determine the proper placement of the SINK and mounting clips.
 2. Create the template to transfer onto the countertop then cut the countertop per the manufacturer's instructions.
NOTE: For flush/no reveal or reveal installations, the individual SINK is required due to SINK tolerances.
 3. Cut out any faucet holes on the countertop prior to final installation.
 4. Install the mounting clips (not provided) per the manufacturer's instructions on to the countertop.
 5. Apply a bead of silicone to the top of the SINK and hold it up to the countertop. It may be necessary to clamp the SINK to the countertop to prevent any shifting.
 6. Tighten the mounting clips per the manufacturer's instructions then wipe away any excess sealant.
 7. Install the strainer (not supplied) per the manufacturer's instructions then install the countertop, if not installed already.
 8. Install the faucet per the manufacturer's instructions and make final supply and waste connections.
- If further assistance is required, please contact Product Support at 1-800-927-2120 Monday through Friday, 8am - 7pm EST.

WATERWORKS INSTALLATION GUIDELINES



STYLE No. KRSK17

Kerr 16 7/8" x 16 7/8" Stainless Steel Undermount
Prep Sink with Rear Drain



UNDERMOUNT INSTALLATIONS WITH SUPPORT FRAME:

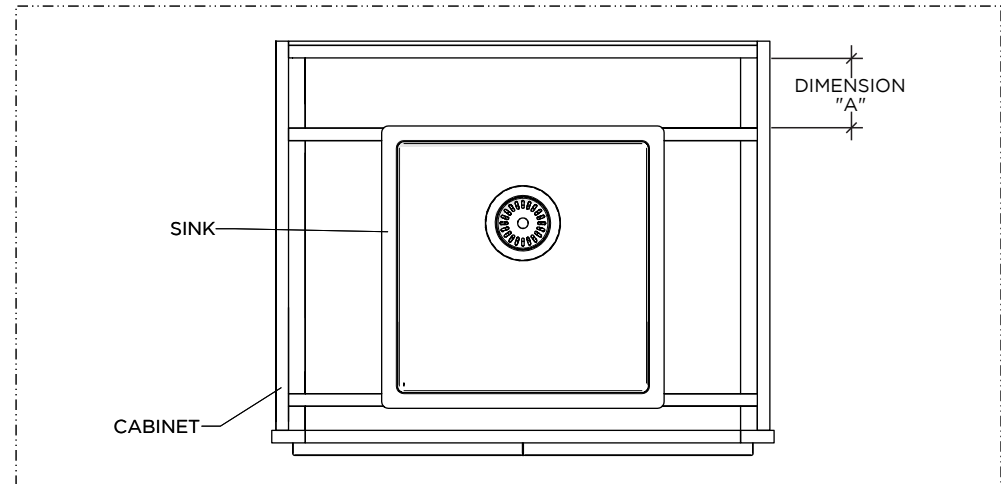
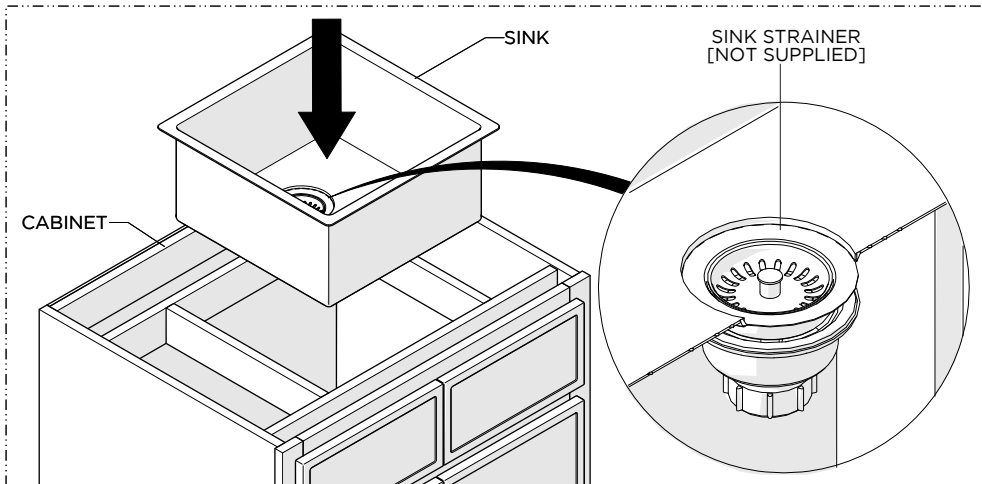
- Using adequate support framing material, install a support frame inside the CABINET that will securely support the weight of the SINK. **EXAMPLE:** A support frame may consist of horizontal supports.

NOTE: Take into account the cabinet structure and any plumbing when constructing the support frame. Actual support structure is the responsibility of the installer.

- Ensure that the supports are secured using the SCREWS (not provided) and level.

NOTE: Prior securing the framing, make sure that the top of the SINK will rest flush or slightly below the top of the cabinet.

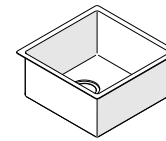
WARNING: Ensure the SCREWS used to attach the framing are long enough to secure the framing but short enough to prevent the SCREWS from damaging the adjacent cabinets.



- Install the strainer (not provided) onto the SINK, per the manufacturer's instructions, then dry-fit the SINK to the cabinet. Ensure the support framing will support the weight of the SINK, the SINK is level, and the top of the SINK is flush or slightly below the top of the cabinet.

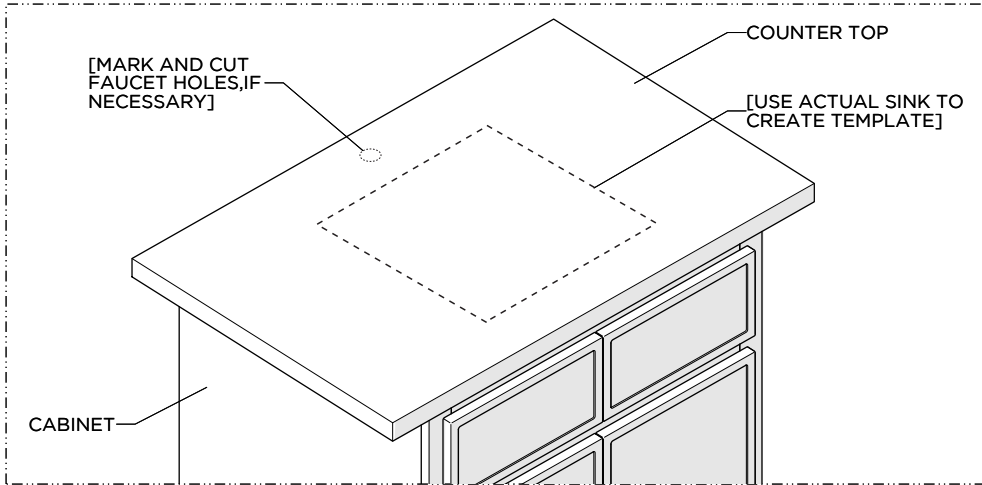
- Make sure there is enough room between the SINK and the back of the cabinet, **DIMENSION "A"**, for the faucet fittings taking into account the backsplash dimensions.

WATERWORKS INSTALLATION GUIDELINES



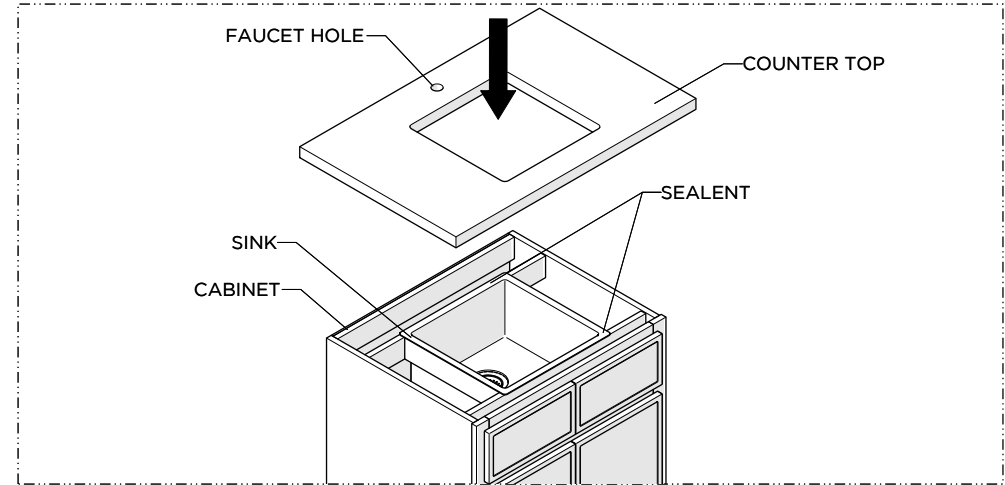
STYLE No. KRSK17

Kerr 16 7/8" x 16 7/8" Stainless Steel Undermount
Prep Sink with Rear Drain



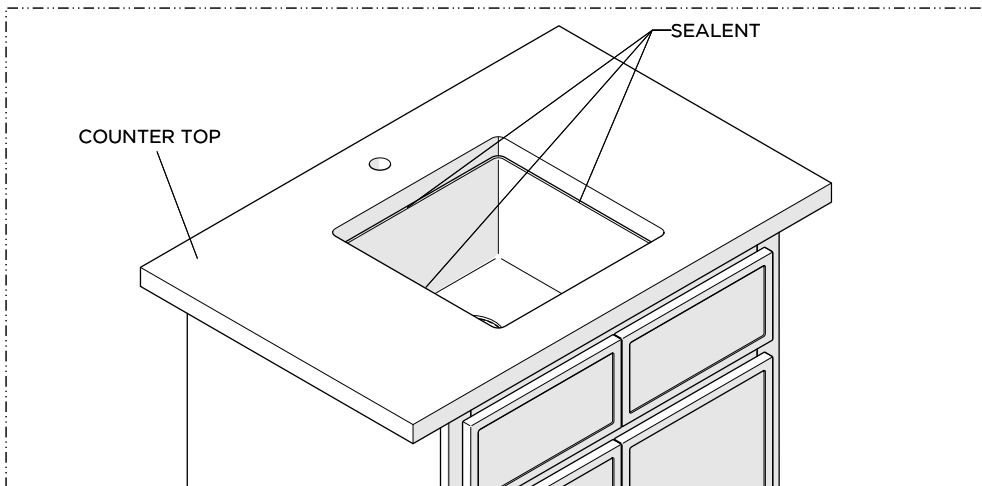
5. With the SINK in the final position, create a template to transfer onto the countertop then cut the countertop per manufacturer's instructions and cut the faucet hole(s) prior to final installation.

NOTE: For flush/no reveal or reveal installations, the individual SINK is required due to SINK tolerances.

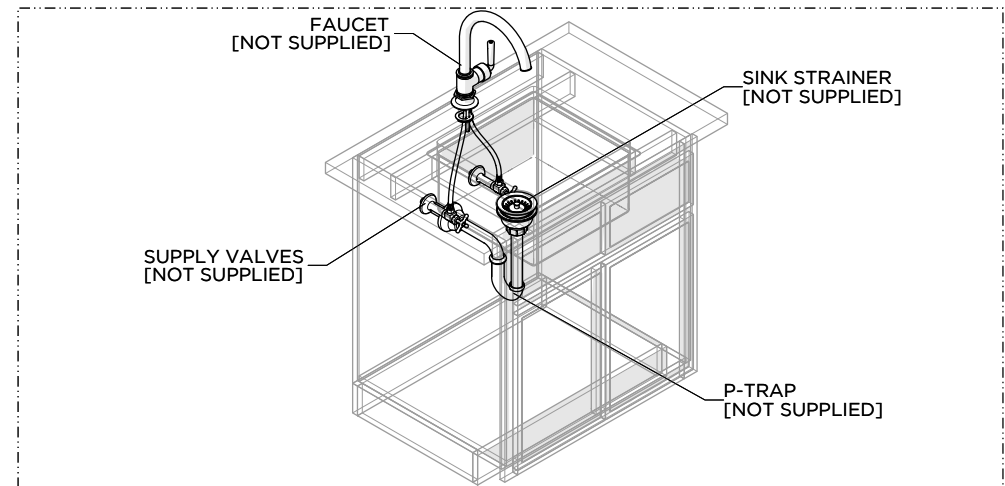


6. Apply a bead of silicone sealant to the top of the SINK then place the countertop on top of the cabinet.

IMPORTANT: The countertop **MUST NOT** rest on top of the SINK.



7. Apply a bead of silicone sealant where the SINK contacts the countertop. Remove any excess sealant.



INSPECT AND FINISH THE INSTALLATION:

8. Install the faucet per the manufacturer's instructions and make final supply and waste connections.