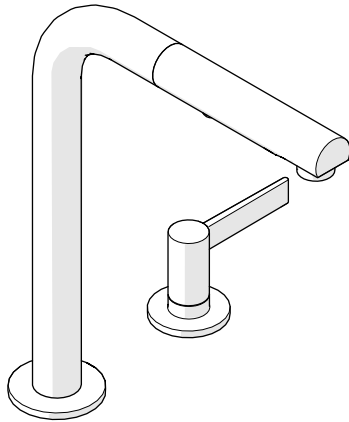


INSTALLATION GUIDELINES

KITCHEN MIXER

FINOT TWO HOLE KITCHEN MIXER WITH HANDLE AND INTEGRATED PULL SPRAY



STYLES

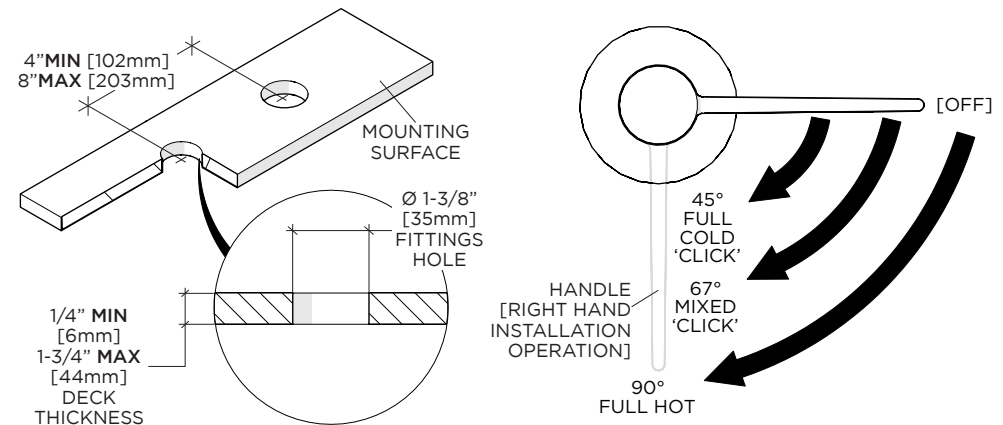
STYLES		
NKM210	NKM220 [SHOWN]	NKM260

IMPORTANT:

- To ensure this product is installed properly, you must read and follow these guidelines.
- The owner/user of this product must keep this information for future reference.
- This product must be installed by a professional licensed contractor.
- Be sure your installation conforms to all federal, state, and local codes. In the State of Massachusetts, all installations must comply with the rules and regulations set forth within 248 CMR.
- Inspect this product to ensure you have all the parts required for proper installation.
- Product is **sold partially** assembled but shown fully disassembled for illustrative and service purposes only.
- **CAUTION:** Use only a strap wrench or protected/smooth-jaw wrench on ANY finished surface
- **CAUTION:** Flushing the SUPPLY VALVES (**sold separately**) prior to installing the FAUCET is recommended. Flushing can prevent damage to the CARTRIDGES and other internal components.
- The use of certain plumber's putty may stain stone or tile surfaces.
- If further assistance is required, please contact Product Support at 1-800-927-2120 Monday through Friday, 8am - 6pm EST.
- Refer to the separate Service Parts Documents for available replacement parts.

TECHNICAL DETAILS:

DETAIL	SPECIFICATION
HANDLE SPREAD	4" [102mm] MINIMUM
	8" [203mm] MAXIMUM
SPRAY HOSE LENGTH	59" [1.5m]
FITTINGS HOLE DIAMETER	Ø1-3/8" [35mm]
HANDLE TURN ANGLE	QUARTER TURN
INLET CONNECTION	1/2" MALE WITH SUPPLY NUT
CARTRIDGE TYPE	PROGRESSIVE
SPOUT REACH	8-13/16" [225mm]
WATER PRESSURE	85psi [6.0 bar] MAXIMUM
	20psi [1.5 bar] MINIMUM
WATER PRESSURE RECOMMENDED	45psi [3.0 bar]



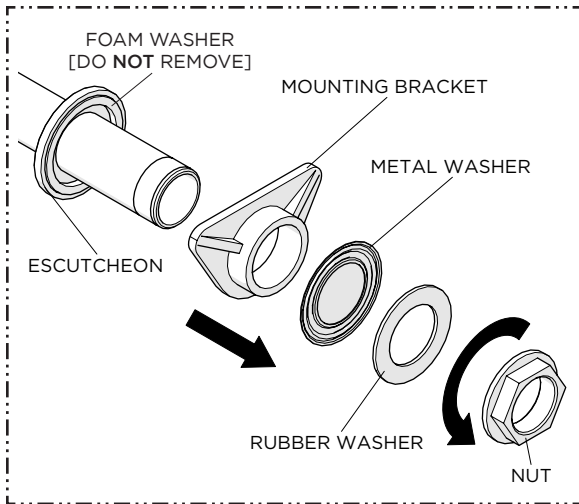
HANDLE OPERATION:

- This product is equipped with a PROGRESSIVE MIXING CARTRIDGE which incorporates tactile feedback.
 - The user will feel slight haptic bumps as they operate the HANDLE.
 - These bumps indicate when the CARTRIDGE is at full cold and warm water temperatures.
- The HANDLE rotates a 1/4 turn clockwise through cold, warm, and hot water temperatures as shown above.

INSTALLATION GUIDELINES

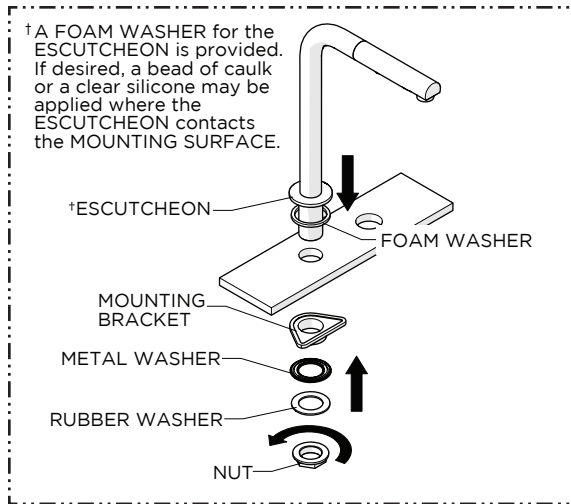
KITCHEN MIXER

WATERWORKS

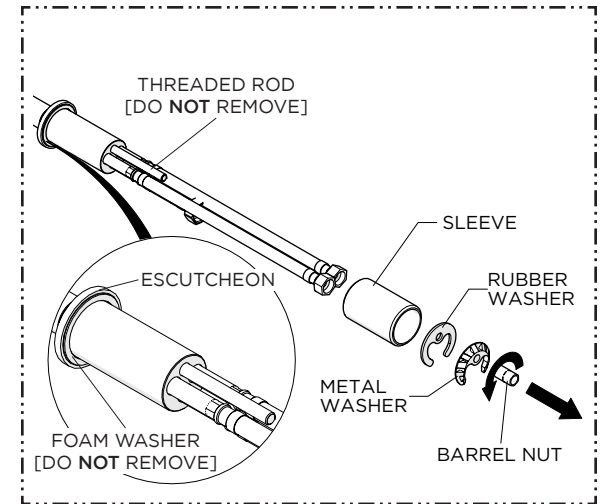


1. Remove the NUT, RUBBER WASHER, METAL WASHER and MOUNTING BRACKET from the SPOUT SHANK.

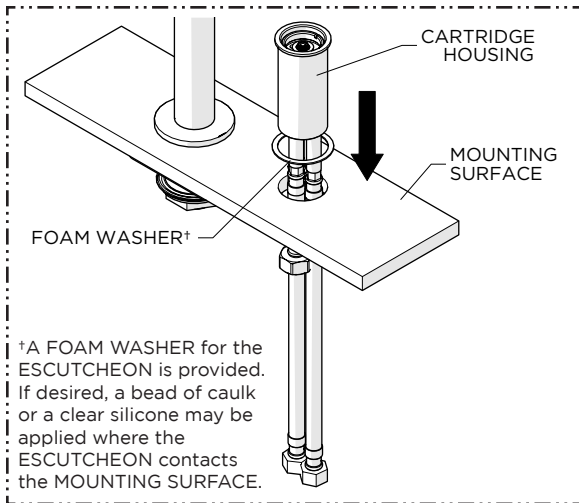
NOTE: Do **NOT** remove the FOAM WASHER beneath the ESCUTCHEON.



2. Insert the SHANK through the hole on the MOUNTING SURFACE, making sure the FOAM WASHER is beneath the ESCUTCHEON, then re-install the MOUNTING BRACKET along with the WASHERS and securely tighten the NUT.

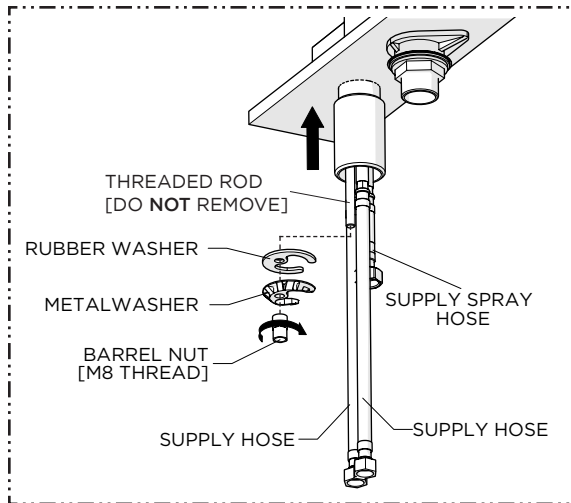


3. Remove the BARREL NUT, METAL WASHER, RUBBER WASHER and SLEEVE from the THREADED ROD.



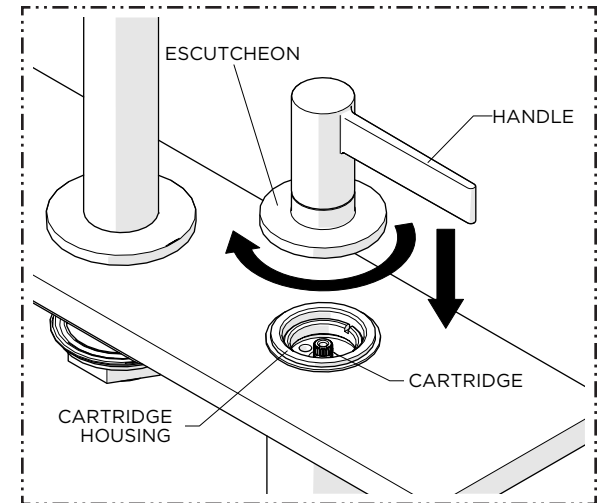
4. Insert the CARTRIDGE HOUSING through the MOUNTING SURFACE hole. Ensure the CARTRIDGE HOUSING is properly seated on the FOAM WASHER to ensure a snug fit.

†A FOAM WASHER for the ESCUTCHEON is provided. If desired, a bead of caulk or a clear silicone may be applied where the ESCUTCHEON contacts the MOUNTING SURFACE.



5. Slide the SLEEVE and RUBBER WASHER and METAL WASHER back onto the THREADED ROD then thread and securely tighten the BARREL NUT onto the ROD.

NOTE: Ensure the WASHERS fit properly around the TUBES and HOSES.



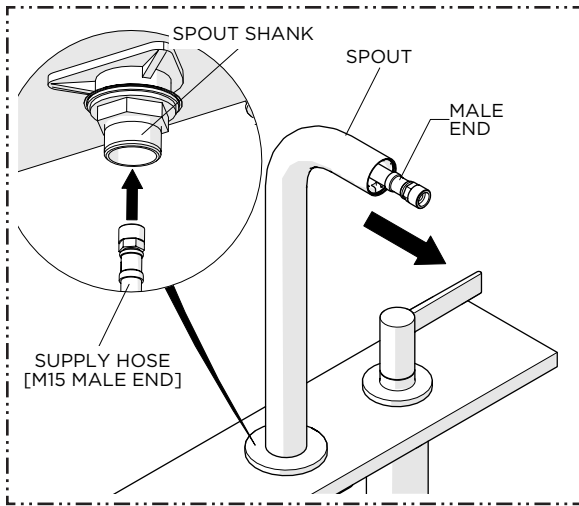
6. Place the HANDLE over the CARTRIDGE HOUSING then thread the ESCUTCHEON into the CARTRIDGE until snug.

NOTE: The use of a strap wrench may be necessary. Be careful **not** to damage the finish.

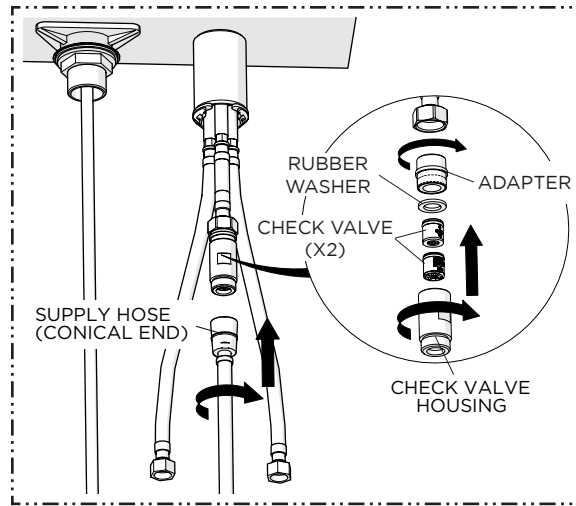
INSTALLATION GUIDELINES

KITCHEN MIXER

WATERWORKS

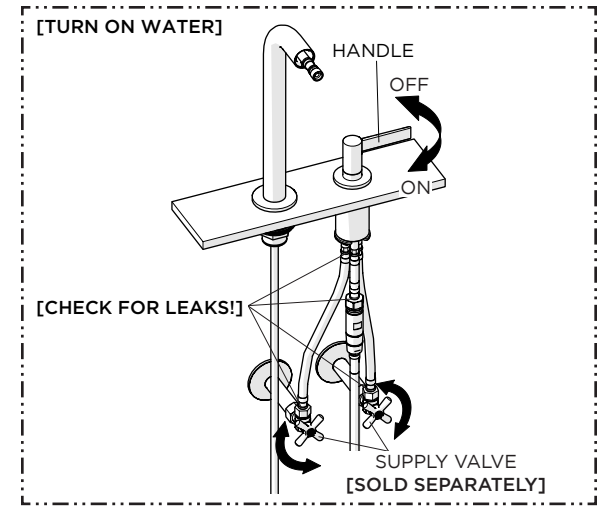


7. Insert the MALE END of the SPRAY HOSE through the bottom of the SPOUT SHANK until it protrudes from the end of the SPOUT.

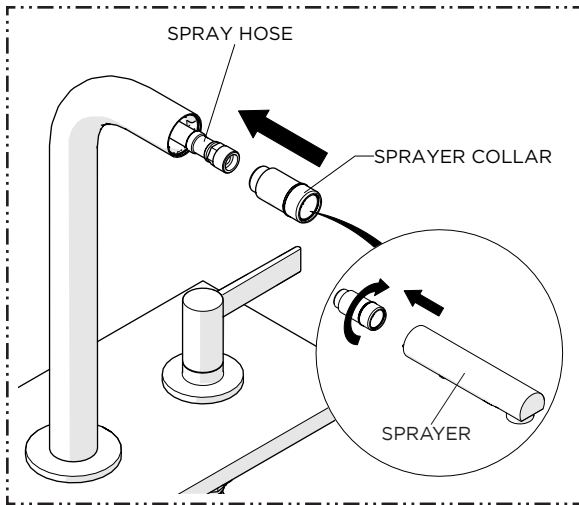


8. Thread and securely tighten the ADAPTER, CHECK VALVE HOUSING and RUBBER WASHER, then thread the SUPPLY HOSE conical end to the CHECK VALVE HOUSING.

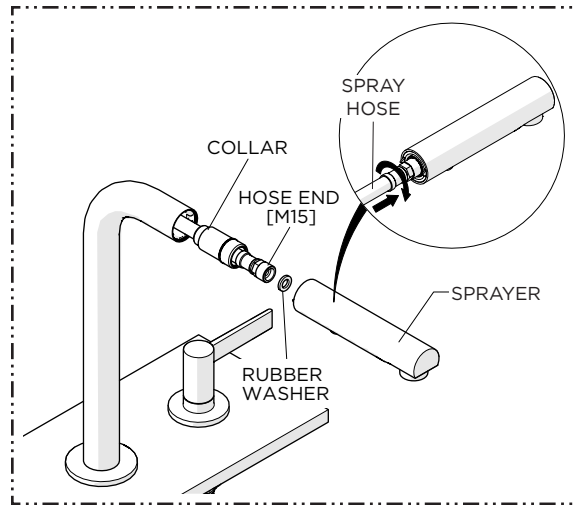
NOTE: A FLOW REGULATING CHECK VALVE is located inside the CHECK VALVE HOUSING.



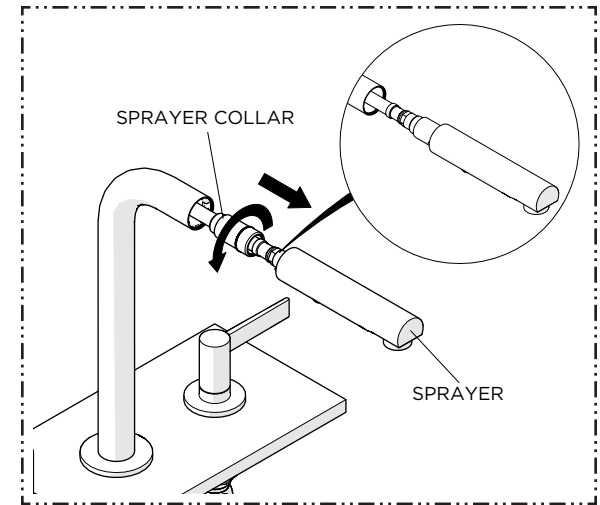
9. Turn on the water supply and operate the HANDLE to flush out any debris in the SUPPLY LINES and ensure it operates and functions properly. Check all connections for **leaks**, then turn off the water.



10. Unthread and remove the COLLAR from the SPRAYER, then insert the SPRAY HOSE through the COLLAR.



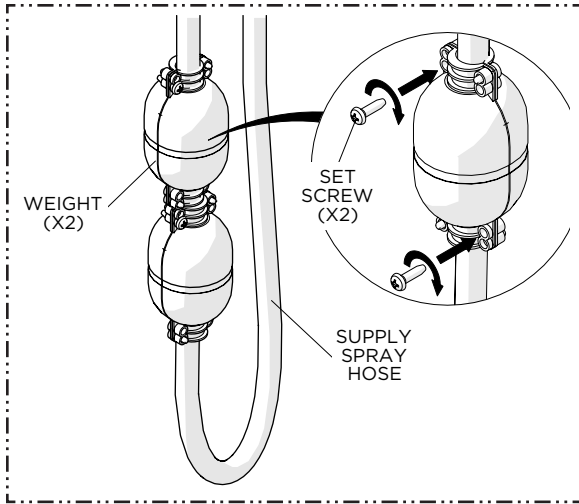
11. Thread and securely tighten the SPRAY HOSE into the SPRAYER, making sure to use the RUBBER WASHER provided.



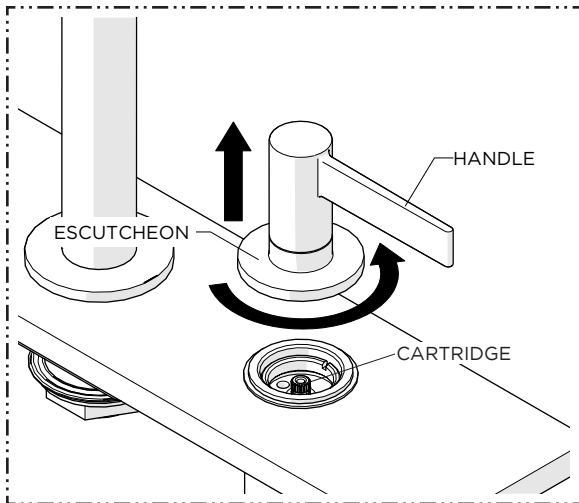
12. Thread and securely tighten the COLLAR back onto the SPRAYER.

INSTALLATION GUIDELINES

KITCHEN MIXER

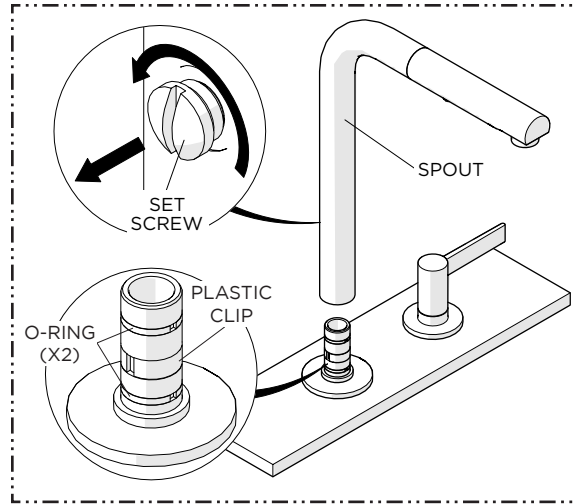


13. Remove the SCREWS on the WEIGHT using a Phillips head screwdriver and separate the two parts of the WEIGHT. Place the WEIGHT around the SPRAY HOSE and re-attach the SCREWS to secure the WEIGHT in the desired position. Repeat for both weights.



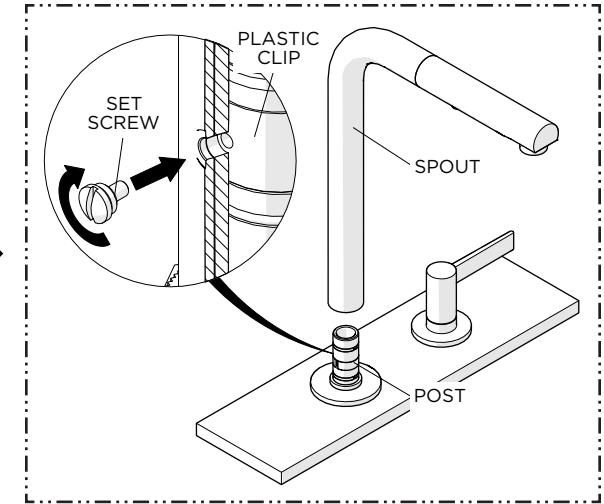
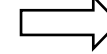
SERVICING THE CARTRIDGE:

1. Unthread the ESCUTCHEON and remove the HANDLE from the CARTRIDGE HOUSING to expose the CARTRIDGE.

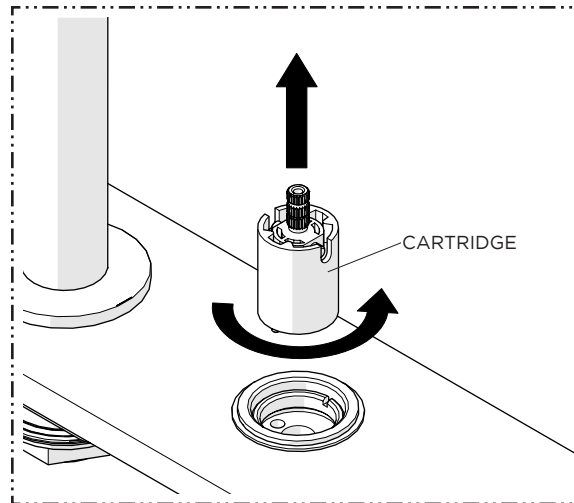


SERVICING THE SPOUT:

1. Unthread the SET SCREW located at the base of the SPOUT then pull the SPOUT up to expose the POST.



2. When replacing the SPOUT, the SET SCREW must properly align with the hole on the PLASTIC CLIP to securely hold the SPOUT in position.



2. Unthread and remove the CARTRIDGE.