

Henry Chronos

CN3T11

Henry Chronos Three Way Diverter Valve Trim for
Thermostatic with Roman Numerals and Lever Handle



SHOWN IN HENRY CHRONOS THREE WAY DIVERTER VALVE TRIM FOR THERMOSTATIC WITH ROMAN NUMERALS AND LEVER HANDLE | CN3T11

TECHNICAL DETAILS

ADA Compliance: Yes
Fittings Hole Diameter: 51 mm
Handle Turn Angle: Full Turn
Number Of Holes: One Hole
Primary Material: Brass

INSPIRATION

Inspired by dive watches, Henry Chronos radiates design prowess and technical precision. Chronos retains the design integrity of our original, iconic Henry collection, while imbuing it with modern details and exquisite materials.

CODES & STANDARDS

ASME A112.18.1/CSA B125.1, State of MA

PRODUCT FEATURES

Features All Metal Lever Handle

For Use With a Thermostatic Shower System and Three Waterway Outlets

Features Roman Numerals Representing Outlet Position

Stocked in Brass, Chrome and Nickel

Requires valve rough sold separately

CERTIFICATIONS

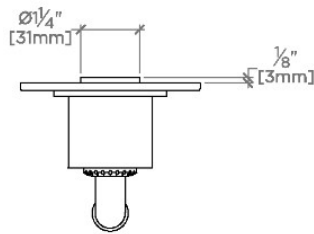


PRODUCT (NOTES)

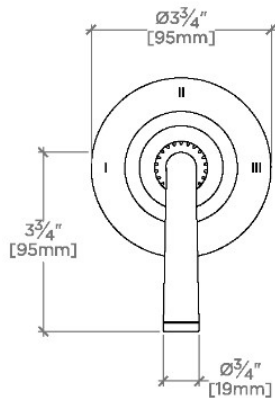
Henry Chronos

CN3T11

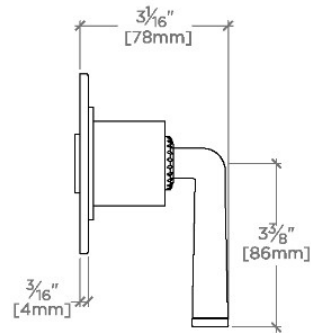
Henry Chronos Three Way Diverter Valve Trim for
Thermostatic with Roman Numerals and Lever Handle



TOP VIEW SCALE: 3"=1'-0"



FRONT VIEW SCALE: 3"=1'-0"



SIDE VIEW SCALE: 3"=1'-0"