

LUDLOW

LDTH22

Ludlow Integrated Thermostatic and Diverter Trim with Cross Handle



TECHNICAL DETAILS

ADA Compliance: Yes
Integrated Diverter: Y
Number Of Holes: One Hole
Primary Material: Brass

SHOWN IN LUDLOW INTEGRATED THERMOSTATIC AND DIVERTER TRIM WITH CROSS HANDLE | LDTH22

INSPIRATION

Our fresh take on American industrial design comes in three styles, each of them clean-lined, and distinct to Waterworks.

CODES & STANDARDS

ASME A112.18.1/CSA B125.1, State of MA

PRODUCT FEATURES

Features Cross Handle

Smooth handle operation with haptic "clicks" at each diverter position for tactile feedback

A solid brass trim plate features engraved TEMPERATURE along with H and C markings.

Stocked in Chrome, Nickel and Brass

Requires rough valve, sold separately: GUTH62 or GUTH63 (USA) or GU62TH or GU63TH (UK/International)

CERTIFICATIONS

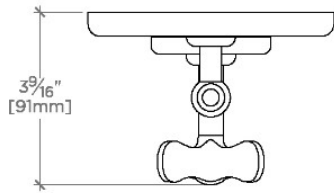


PRODUCT (NOTES)

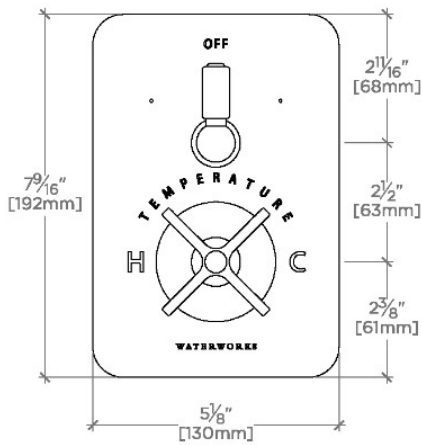
LUDLOW

LDTH22

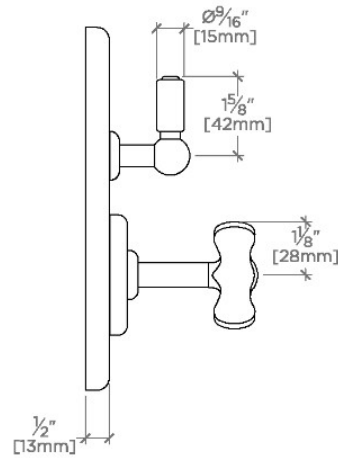
Ludlow Integrated Thermostatic and Diverter Trim with Cross Handle



TOP VIEW SCALE: 3"=1'-0"



FRONT VIEW SCALE: 3"=1'-0"



SIDE VIEW SCALE: 3"=1'-0"