

HENRY

Henry One Hole Gooseneck Kitchen Faucet, Metal Lever Handle

HN15KM



SHOWN IN HENRY ONE HOLE GOOSENECK KITCHEN FAUCET, METAL LEVER HANDLE| HNKM15

TECHNICAL DETAILS

ADA Compliance: Yes
Deck Thickness Maximum: 41 mm
Deck Thickness Minimum: 6 mm
Escutcheon Primary Material: Brass
Fittings Hole Diameter: 38 mm
Flow Restriction Options: 2.0, 1.75, 1.5
Handle Turn Angle: Quarter Turn Each Way
Handshower / Spray Hose Length: 1.2 m
Depth / Width: 298 mm
Height: 371 mm
Inlet Connection Size: 3/8"
Inlet Connection Type: Compression Connector Hoses
Integrated Diverter: N
Length: 298 mm
Number of Holes: One Hole
Primary Material: Brass
Restricted Maximum Flow Rate: 8.3 liters/min
Spout Swivel: Y
Spray Included in Unit: N
Suggested Application: Bar, Kitchen, Laundry
Valve Material: Ceramic
Water Pressure Maximum: 6.0 bar
Water Pressure Minimum: 1.5 bar
Water Pressure Recommended: 3.0 bar

INSPIRATION

Influenced by the connection of industry and art Henry easily transitions between modern, traditional, utilitarian and classic settings.

CODES & STANDARDS

Code # HNKM10X:

PRODUCT FEATURES

The stately single hole fitting stands on a tall well formed pillar with a tapered lever handle. Practical as well as beautiful, this fitting has a hand spray for washing vegetables, rinsing the sink or cleaning pots.

Brass material is used for components.

Standard flow rate is 2.2gpm (8.3 L/min). Also available in high efficient flow options. Contact your sales associate or call 1 (800) 899-6757 for details.

CERTIFICATIONS



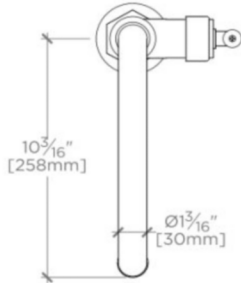
WATERWORKS

HENRY

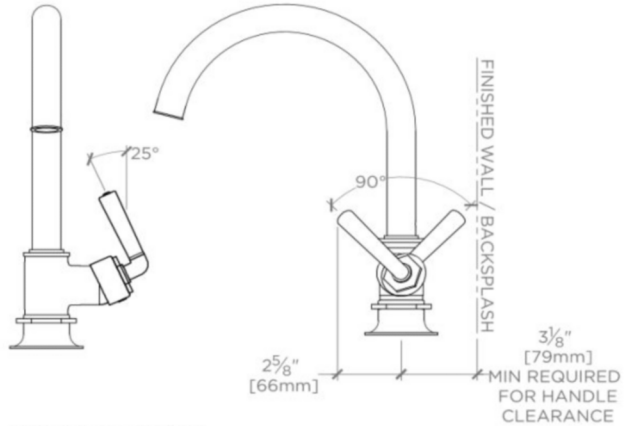
HN15KM

Henry One Hole Gooseneck Kitchen Faucet, Metal Lever Handle

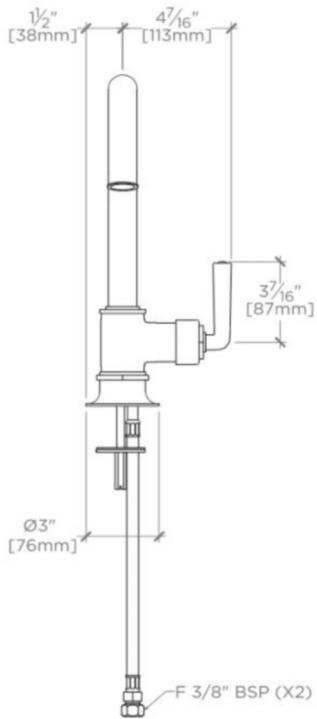
ADAPTER(S) PACKAGED SEPARATELY		
ADAPTER	DESCRIPTION	QTY
UNUK08	9/16"-24 UNEF Male x 3/8" Female BSP in Nickel	2



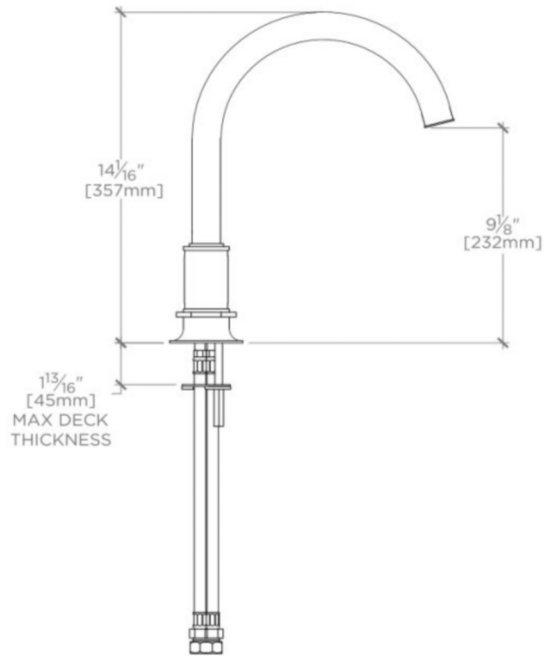
TOP VIEW SCALE: 1/2"=1'-0"



HANDLE OPERATION



FRONT VIEW SCALE: 1/2"=1'-0"



SIDE VIEW SCALE: 1/2"=1'-0"