

## HENRY

Henry Wall Mounted Tub Spout

## HN80TS



SHOWN IN HENRY WALL MOUNTED TUB SPOUT| HNTS80

### TECHNICAL DETAILS

Adjustable versus Fixed Spray: Fixed Spray  
Escutcheon Primary Material: Brass  
Fittings Hole Diameter: 32 mm  
Depth / Width: 179 mm  
Height: 73 mm  
Inlet Connection Size: 1/2"  
Inlet Connection Type: Male G/BSPP  
Installation Type: Wall Mounted  
Integrated Diverter: N  
Integrated Spray: N  
Length: 73 mm  
Number of Holes: One Hole  
Pivot: N  
Primary Material: Brass  
Spout Reach: 6 7/16"  
Spout Swivel: N  
Spray Included in Unit: N  
Suggested Application: Bath  
Water Pressure Maximum: 5.5 bar  
Water Pressure Minimum: 1.5 bar  
Water Pressure Recommended: 3.0 bar

### INSPIRATION

Influenced by the connection of industry and art Henry easily transitions between modern, traditional, utilitarian and classic settings.

### PRODUCT FEATURES

The manufacturing process encompasses casting, turning, forging, hand-fitting and hand polishing.

Brass material is used for components

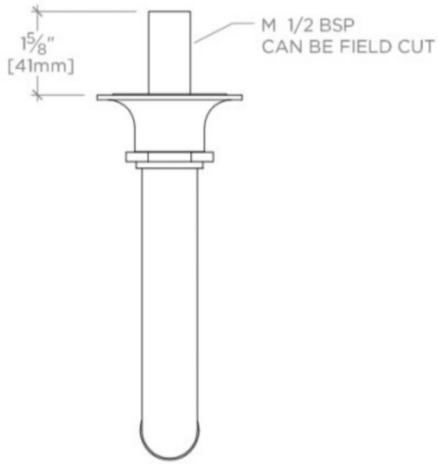
# WATERWORKS

## HENRY

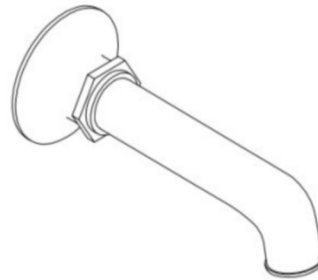
## HN80TS

Henry Wall Mounted Tub Spout

ADAPTER(S) PACKAGED SEPARATELY		
ADAPTER	DESCRIPTION	QTY
UNUK04	1/2" NPT Male x 1/2" Male Nipple 50mm Long BSP	1



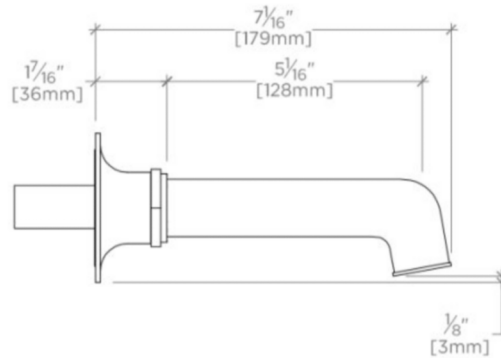
TOP VIEW SCALE: 3"=1'-0"



ISO VIEW SCALE: 3"=1'-0"



FRONT VIEW SCALE: 3"=1'-0"



SIDE VIEW SCALE: 3"=1'-0"