

Stockton

SKHW07

Stockton 6 1/4" Metal Pull



SHOWN IN STOCKTON 6 1/4" METAL PULL | SKHW07

TECHNICAL DETAILS

Height: 32 mm
Length: 159 mm

INSPIRATION

The Stockton family combines hand-finished solid brass and solid walnut for distinctive midcentury-modern character. Streamlined forms with transitional appeal make these pulls equally at home in contemporary and classic settings.

CODES & STANDARDS

PRODUCT FEATURES

Solid Brass

Walnut is protected with primer and wood lacquer

Solid Brass

Machined and hand-polished

Includes 2 x M4 Pan Head Slot 1" Machine Screw and 2 x M4 Pan Head Slot 1 1/2" Machine Screw

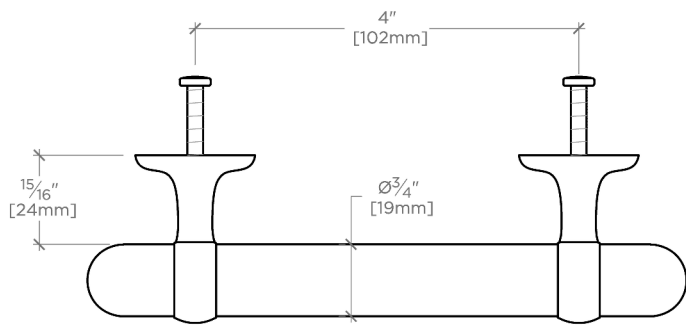
CERTIFICATIONS

PRODUCT (NOTES)

Stockton

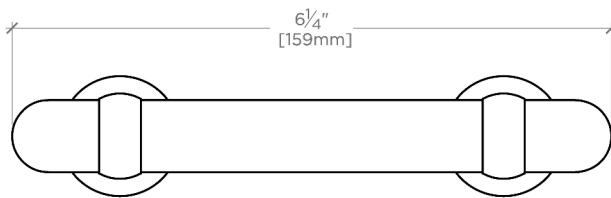
SKHW07

Stockton 6 1/4" Metal Pull



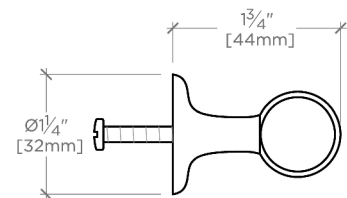
TOP VIEW

SCALE: 6"=1'-0"



FRONT VIEW

SCALE: 6"=1'-0"



SIDE VIEW

SCALE: 6"=1'-0"