

REGULATOR

RGLS10

Regulator Gooseneck Lavatory Faucet with Two-Tone Lever Handles



SHOWN IN REGULATOR GOOSENECK LAVATORY FAUCET WITH TWO-TONE LEVER HANDLES | RGLS10

TECHNICAL DETAILS

ADA Compliance: Yes
 Deck Thickness Maximum: 0"
 Deck Thickness Minimum: 1 3/8"
 Depth/Width: 8 1/2"
 Drain Depth Maximum: 2"
 Drain Depth Minimum: 3/8"
 Drain Hole Diameter: 1 1/2"
 Drain Style: Push Touch
 Escutcheon Primary Material: Brass
 Fittings Hole Diameter: 1 3/8"
 Flow Restriction Options: 1.0, 1.2, 1.5, 1.75, 2.4
 Handle Spread Maximum: 12"
 Handle Spread Minimum: 8"
 Handle Turn Angle: Quarter Turn
 Height: 9 13/16"
 Inlet Connection Size: 1/2"
 Inlet Connection Type: Male with Supply Nut
 Inlet Supply Spread Maximum: 12"
 Inlet Supply Spread Minimum: 8"
 Length: 8 1/2"
 Number Of Holes: Three Hole
 Primary Material: Brass
 Restricted Maximum Flow Rate: 1.2 gpm
 Spout Swivel: N
 Suggested Application: Bath
 Water Pressure Maximum: 85.0 psi
 Water Pressure Minimum: 20.0 psi
 Water Pressure Recommended: 45.0 psi

INSPIRATION

A play on industrial controls from the early 1900s, when pride was lavished on parts. Translated to handcrafted, fittings project rugged beauty through powerful, detailed shapes.

CODES & STANDARDS

RGLS10-F.RX, NSF/ANSI/CAN 61:Q < 1, NSF/ANSI/CAN 372, ASME A112.18.1/CSA B125.1, WaterSense(1.0GPM and 1.2GPM Only), CEC, DOE, State of MA

PRODUCT FEATURES

Two-Tone Lever Handles

Includes Universal Push-Touch Drain (UNLD23) which fits 1-1/2" through 1-3/4" drain hole openings

Stocked in Nickel/Matte Black and Brass/Matte Black

Available in 1.2gpm (4.5L/min) flow rate

CERTIFICATIONS



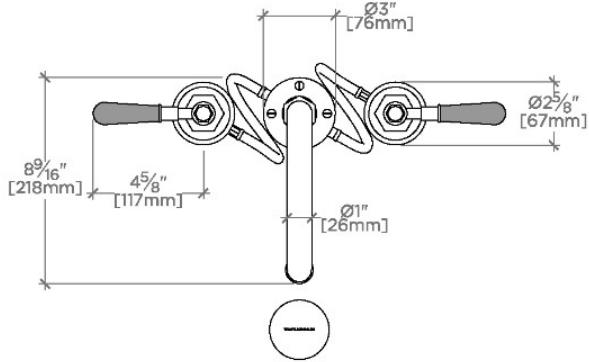
PRODUCT (NOTES)

WATERWORKS

REGULATOR

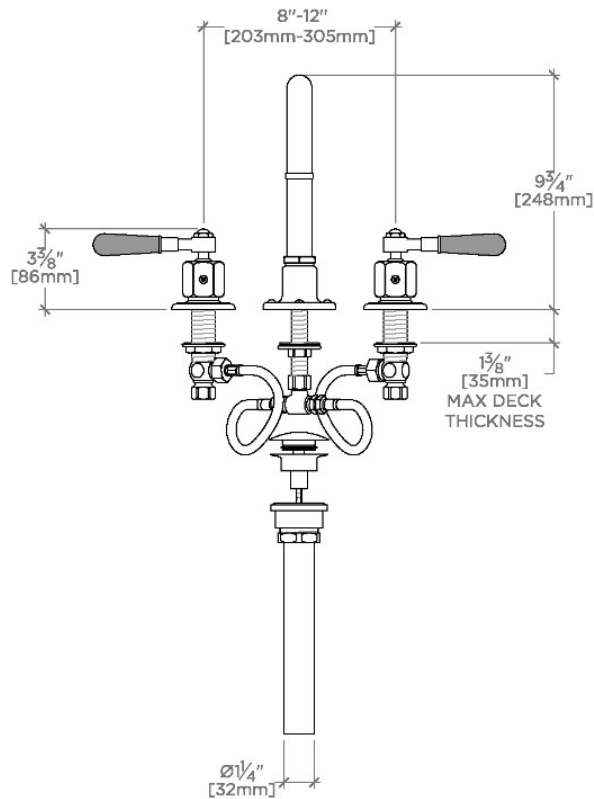
RGLS10

Regulator Gooseneck Lavatory Faucet with Two-Tone Lever Handles



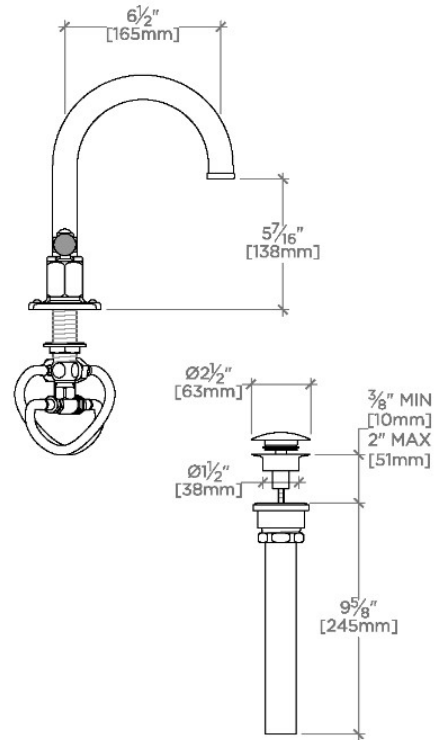
TOP VIEW

SCALE: $1\frac{1}{2}''=1'-0''$



FRONT VIEW

SCALE: $1\frac{1}{2}''=1'-0''$



SIDE VIEW

SCALE: $1\frac{1}{2}''=1'-0''$