

## .25

## PTS267

.25 6" Showerhead with 12" Wall Mounted 90 Degree Shower Arm



SHOWN IN .25 6" SHOWERHEAD WITH 12" WALL MOUNTED 90 DEGREE SHOWER ARM | PTS267

### TECHNICAL DETAILS

Adjustable Versus Fixed Spray: Fixed  
 Fittings Hole Diameter: 1 1/4"  
 Flow Restriction Options: 1.5, 1.75, 2.0  
 Inlet Connection Size: 1/2"  
 Inlet Connection Type: Male NPT  
 Pivot: Y  
 Primary Material: Brass  
 Restricted Maximum Flow Rate: 1.75 gpm  
 Water Pressure Maximum: 85.0 psi  
 Water Pressure Minimum: 20.0 psi  
 Water Pressure Recommended: 45.0 psi

### INSPIRATION

.25 is the ultimate in utilitarian elegance: A simple and understated design that is equally functional and beautiful.

### CODES & STANDARDS

PTS267X, ASME A112.18.1/CSA B125.1, CEC(1.5GPM & 1.75GPM Only), WaterSense(1.5GPM, 1.75GPM & 2.0GPM Only), DOE, State of MA

### PRODUCT FEATURES

- Made of Brass
- Features a swivel 6" showerhead with easy clean rubber nozzles
- Includes a 12" wall mounted 90 degree shower arm
- Stocked in Brass, Chrome, Nickel and Matte Nickel
- Showerhead available in 1.75gpm (6.6L/min) flow rate

### CERTIFICATIONS

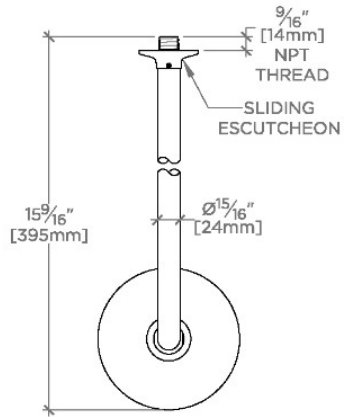


### PRODUCT (NOTES)

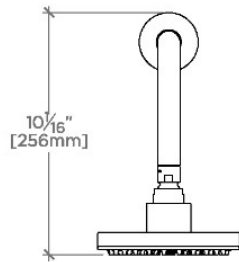
.25

PTS267

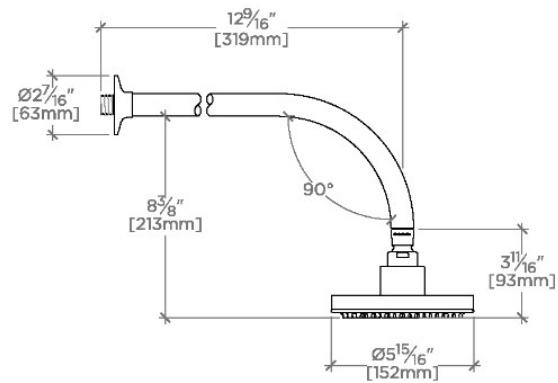
.25 6" Showerhead with 12" Wall Mounted 90 Degree Shower Arm



TOP VIEW SCALE:  $1\frac{1}{2}''=1'-0''$



FRONT VIEW SCALE:  $1\frac{1}{2}''=1'-0''$



SIDE VIEW SCALE:  $1\frac{1}{2}''=1'-0''$