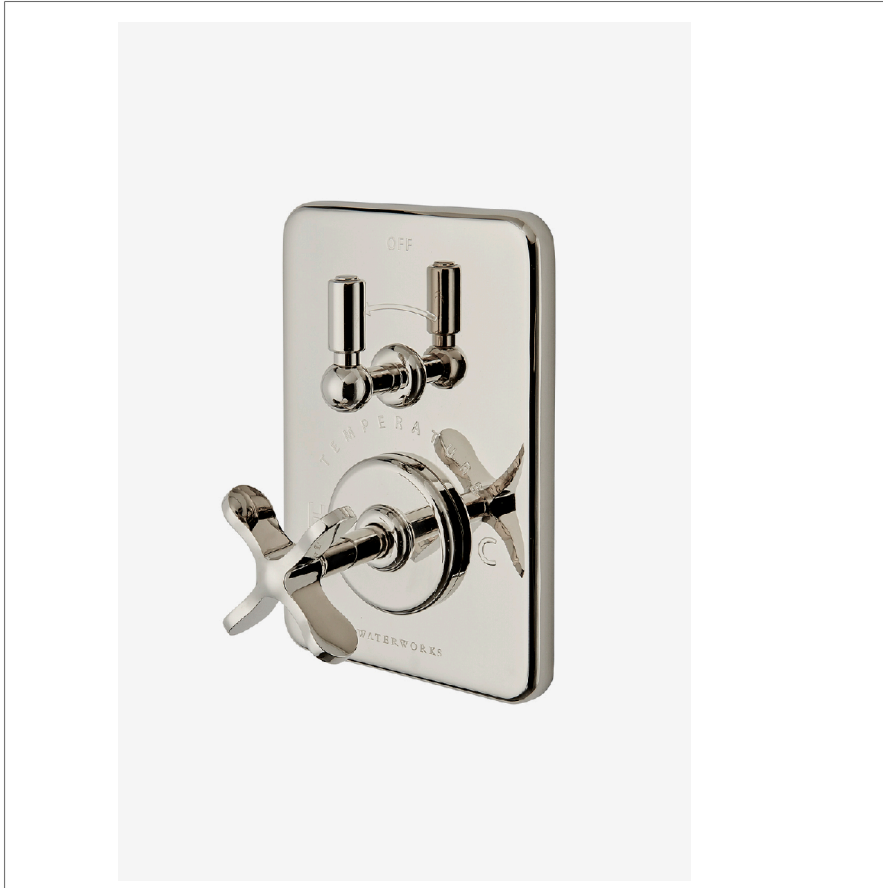


Ludlow

LDTH21

Ludlow Integrated Thermostatic and Volume Control Trim with Cross Handle



SHOWN IN LUDLOW INTEGRATED THERMOSTATIC AND VOLUME CONTROL TRIM WITH CROSS HANDLE | LDTH21

TECHNICAL DETAILS

ADA Compliance: Yes
Number Of Holes: One Hole
Primary Material: Brass

INSPIRATION

Our fresh take on American industrial design comes in three styles, each of them clean-lined, and distinct to Waterworks.

CODES & STANDARDS

ASME A112.18.1/CSA B125.1, State of MA

PRODUCT FEATURES

Features Cross Handle

Smooth handle operation controls water volume

A solid brass trim plate features engraved TEMPERATURE along with H and C markings.

Stocked in Chrome, Nickel and Brass

Requires rough valve, sold separately: GUTH61 (USA) or GU61TH (UK/International)

CERTIFICATIONS

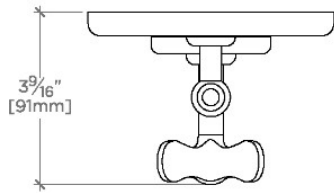


PRODUCT (NOTES)

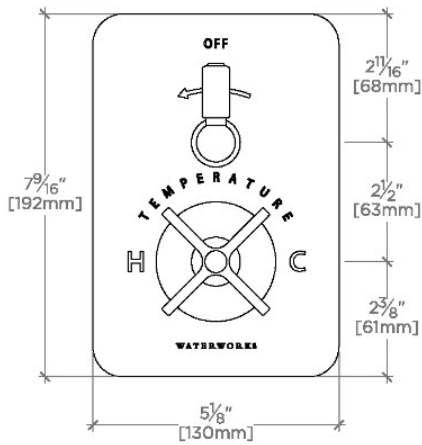
Ludlow

LDTH21

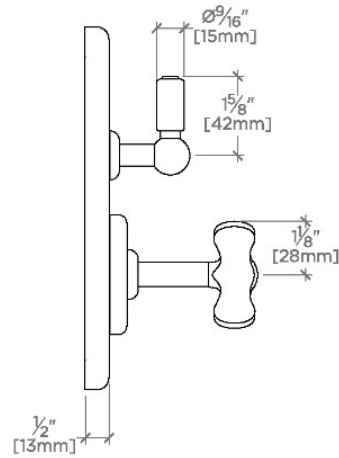
Ludlow Integrated Thermostatic and Volume Control Trim
with Cross Handle



TOP VIEW SCALE: 3"=1'-0"



FRONT VIEW SCALE: 3"=1'-0"



SIDE VIEW SCALE: 3"=1'-0"