

FORO

FRVC01

Foro Volume Control Valve Trim with Metal Cross Handle



TECHNICAL DETAILS

Control Hole Diameter Recommended: 35 mm
Fittings Hole Diameter: 35 mm
Handle Turn Angle: Quarter Turn
Depth / Width: 62 mm
Height: 67 mm
Length: 67 mm
Valve Material: Ceramic

INSPIRATION

A mix of historical references, including finely etched vintage silver, come together in this twist on classical design to create a wonderfully elegant formal statement.

PRODUCT FEATURES

Metal cross handle

Used to control water flow to a single waterway outlet such as a showerhead, handshower, or tub spout

Features signature engraving detail

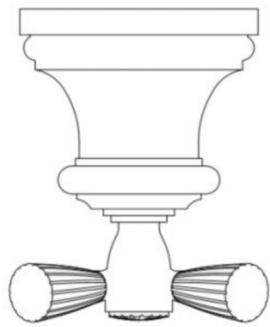
Stocked in Nickel and Unlacquered Brass

Requires rough valve, sold separately: GUV16 (US) / GU16VC (UK) or GUV17 (US) / GU17VC (UK)

FORO

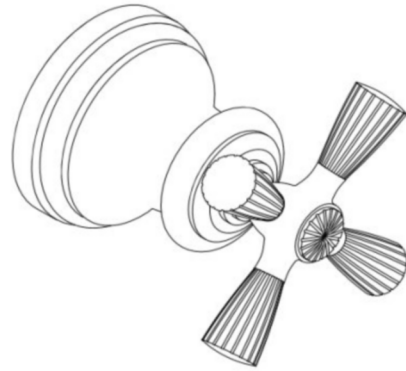
FRVC01

Foro Volume Control Valve Trim with Metal Cross Handle



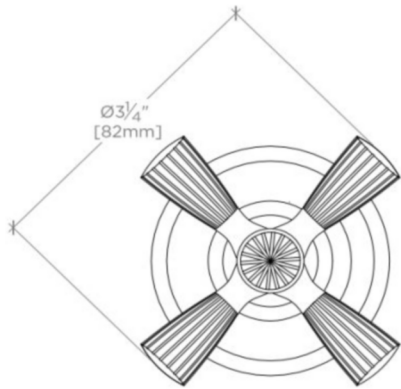
TOP VIEW

SCALE: 6"=1'-0"



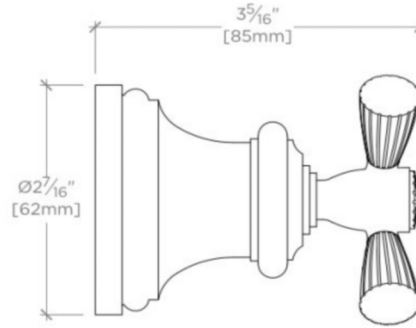
ISO VIEW

SCALE: 6"=1'-0"



FRONT VIEW

SCALE: 6"=1'-0"



SIDE VIEW

SCALE: 6"=1'-0"