

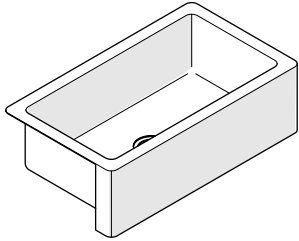
WATERWORKS INSTALLATION GUIDELINES

STYLENO. KRSK70, KRSK72, KRSK74, KRSK76, KRSK33

Kerr Stainless Steel Farmhouse Apron Kitchen Sink with Center Drain(s)

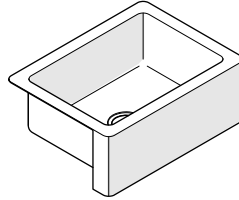
STYLE No. KRSK33

33" x 19" x 10 1/8" Farmhouse



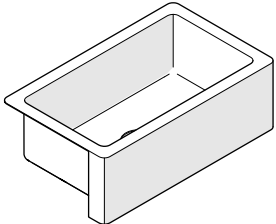
STYLE No. KRSK70

24" x 18" x 9" Farmhouse



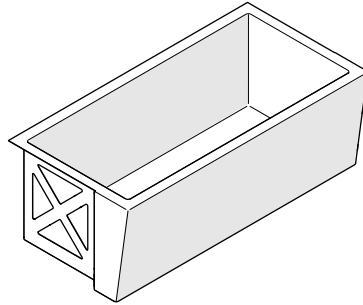
STYLE No. KRSK72

30" x 18" x 10 1/8" Farmhouse



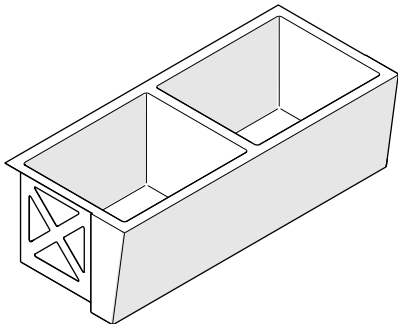
STYLE No. KRSK74

42" x 21" x 15" Farmhouse



STYLE No. KRSK76

47 11/16" x 21" x 14 5/8" Farmhouse



IMPORTANT:

- To ensure this product is installed properly, you must read and follow these guidelines.
- The owner/user of this product must keep this information for future reference.
- This product must be installed by a professional licensed contractor. Be sure your installation conforms to all federal, state, and local codes.
- All dimensions are based on original specifications and are subjected to change and variations. Dimensions taken for the purposes of cutting templates should always be taken from each product directly. For flush/no reveal or reveal installations, the physical sink is required due to sink tolerances.
- The use of certain plumber's putty may stain stone or tile surfaces.
- Ensure that the cabinet is properly sized for the sink being used. The cabinet must be plumbed, level, and securely installed prior to installing the sink.
- Adequate support framing is required for sink installation. Ensure that the screws used to attach the framing are long enough to secure the framing but short enough to prevent the screws from damaging the adjacent cabinets.

SPECIFICATIONS:

Bowl Shape: Rectangular
Drain Hole Diameter: 3-1/2" [89mm]
Garbage Disposal: Yes
Sound Proofing: No

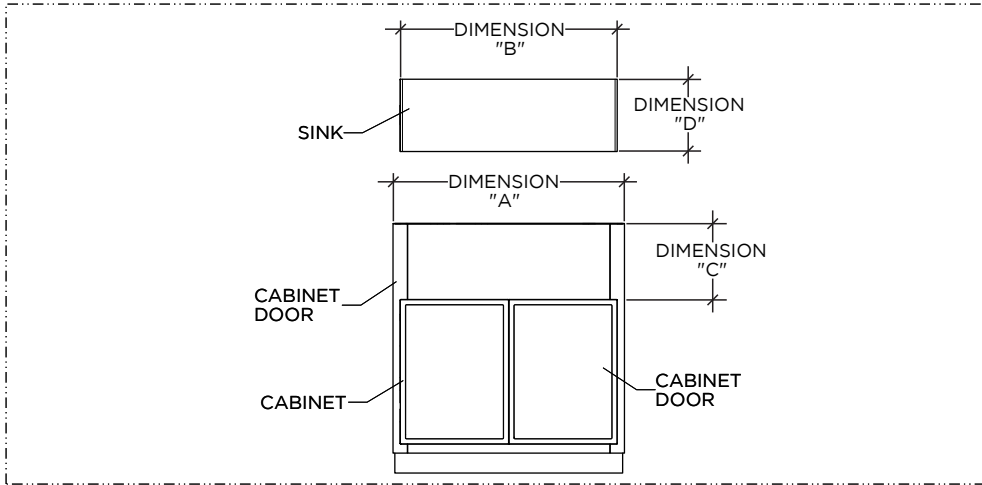
REQUIRED PLUMBING DETAILS:

Universal Kitchen Sink Strainer 3 1/2"
STYLE No. UNSK30

WATERWORKS INSTALLATION GUIDELINES

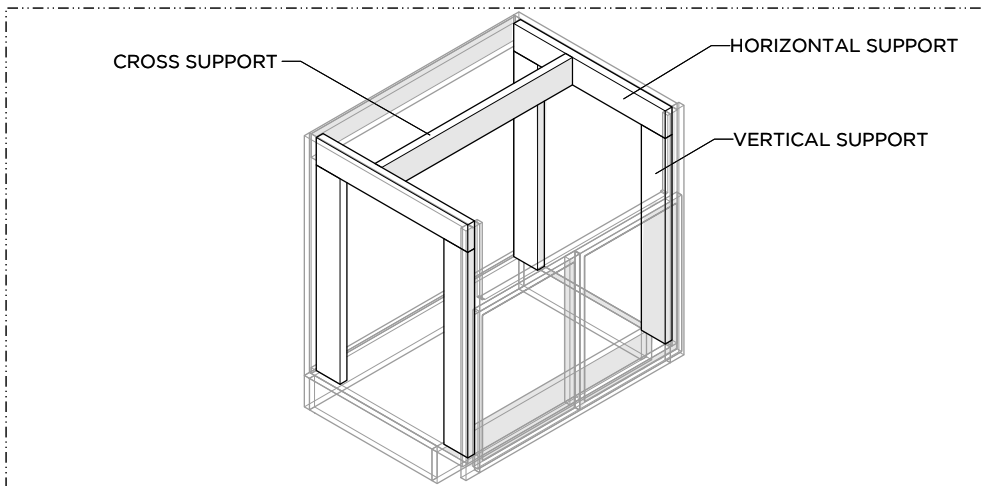
STYLENO. KRSK70, KRSK72, KRSK74, KRSK76, KRSK33

Kerr Stainless Steel Farmhouse Apron Kitchen Sink with Center Drain(s)



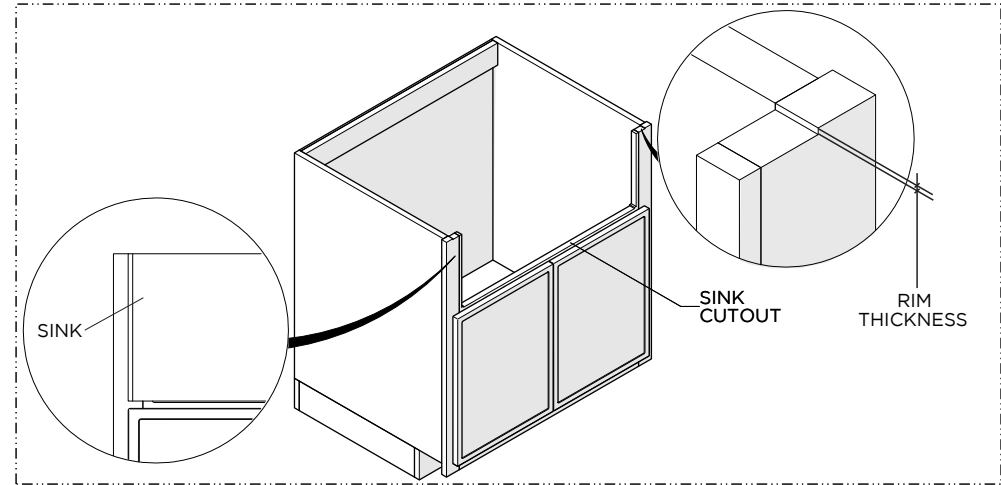
ROUGH-IN:

1. Measure the width of the cabinet, **DIMENSION "A"**, and ensure that the SINK, **DIMENSION "B"**, will fit within it without cutting the frame. Measure the distance from the top of the cabinet to the top of the cabinet doors, **DIMENSION "C"**, and ensure this measurement is larger than the height of the SINK, **DIMENSION "D"**.



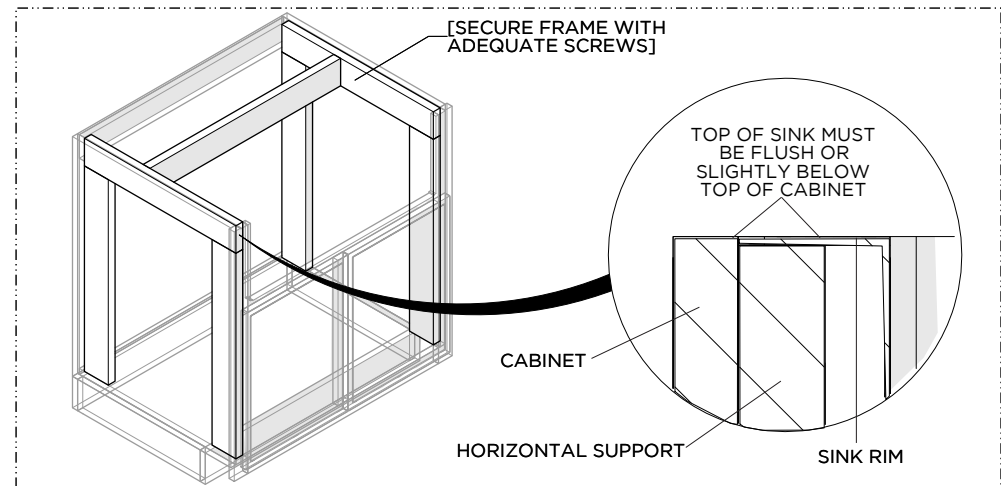
3. Using adequate support framing material, install a support frame inside the CABINET that will securely support the weight of the SINK. **EXAMPLE:** A support frame may consist of 2 horizontal supports, 4 vertical supports, and a cross support.

NOTE: Take into account the CABINET structure as well as any plumbing when constructing the support frame. Actual support structure is the responsibility of the installer.



2. Place painter's tape on the front surface of the CABINET and trace the shape of the SINK onto the tape. Cut the CABINET along the line drawn.

IMPORTANT: Ensure that the SINK will be centered and rest either flush or slightly below the top of the CABINET.



4. Ensure that the supports are secured using SCREWS (not provided) and level.

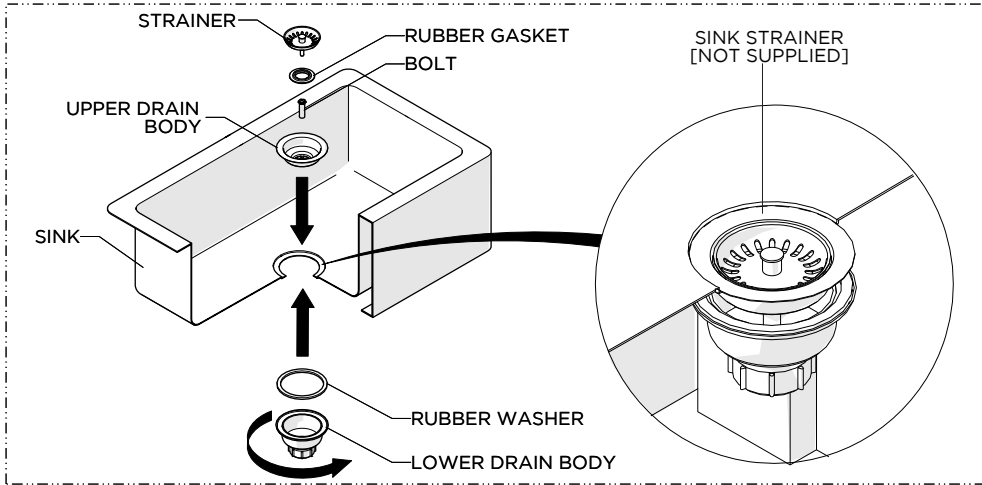
IMPORTANT: Prior securing the framing, make sure that the top of the sink will rest flush or slightly below the top of the cabinet.

WARNING: Ensure the SCREWS used to attach the framing are long enough to secure the framing but short enough to prevent the SCREWS from damaging the adjacent cabinets.

WATERWORKS INSTALLATION GUIDELINES

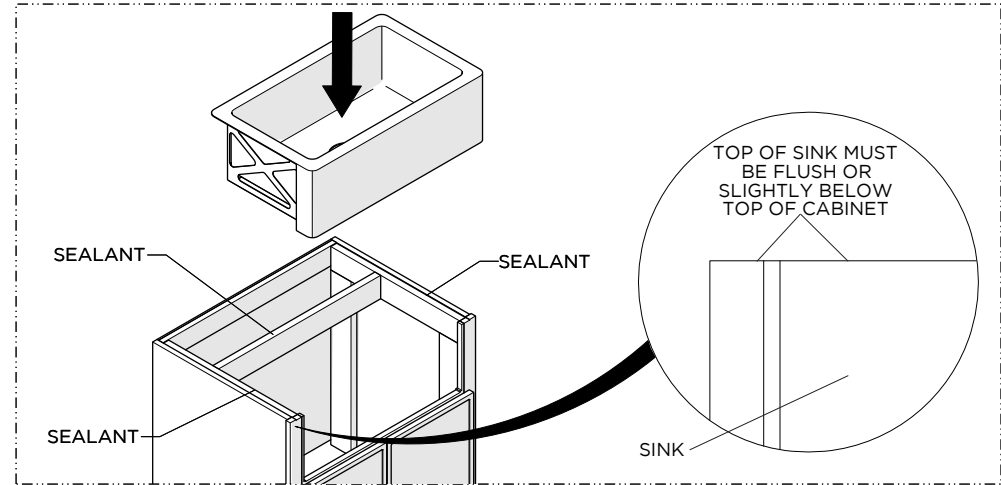
STYLENO. KRSK70, KRSK72, KRSK74, KRSK76, KRSK33

Kerr Stainless Steel Farmhouse Apron Kitchen Sink with Center Drain(s)



5. Install the strainer onto the SINK, per the manufacturer's instructions.

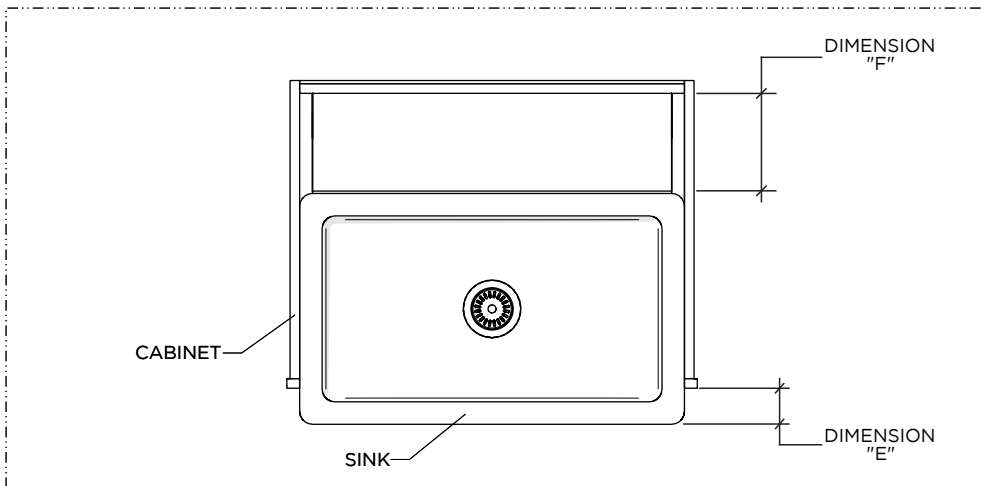
NOTE: Kerr sinks have a 3-1/2" [89mm] drain hole size and require the Universal Kitchen Sink Strainer, **STYLE UNSK30** (sold separately).



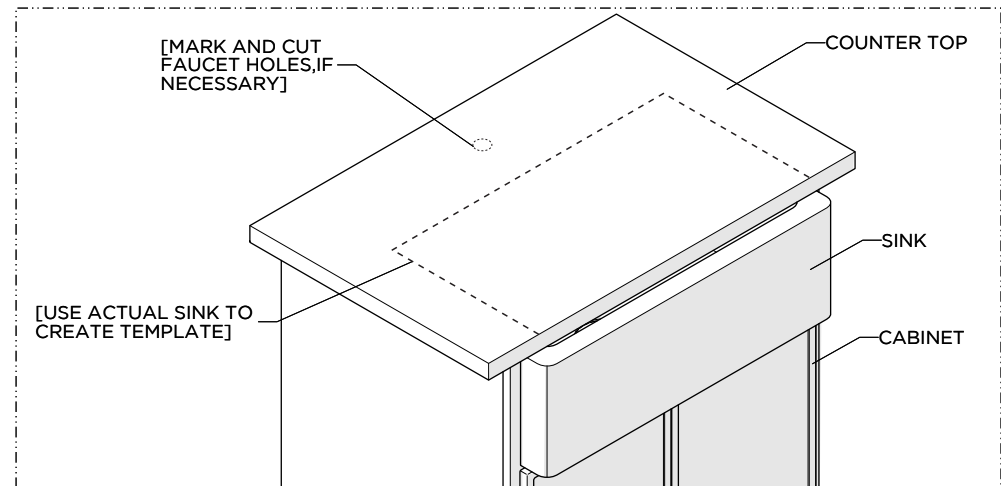
SINK INSTALLATION:

6. Lower the sink into the cabinet making sure the SINK rests on the supports. Make any adjustments to the cutout made during previous step and ensure the SINK is level.

NOTE: Take into account the countertop and backsplash dimensions.



7. Position the sink so that the apron or front of the sink projects out of the cabinet as desired, **DIMENSION "E"**, and there is enough room between the sink and the back of the cabinet, **DIMENSION "F"**, for the faucet fittings.



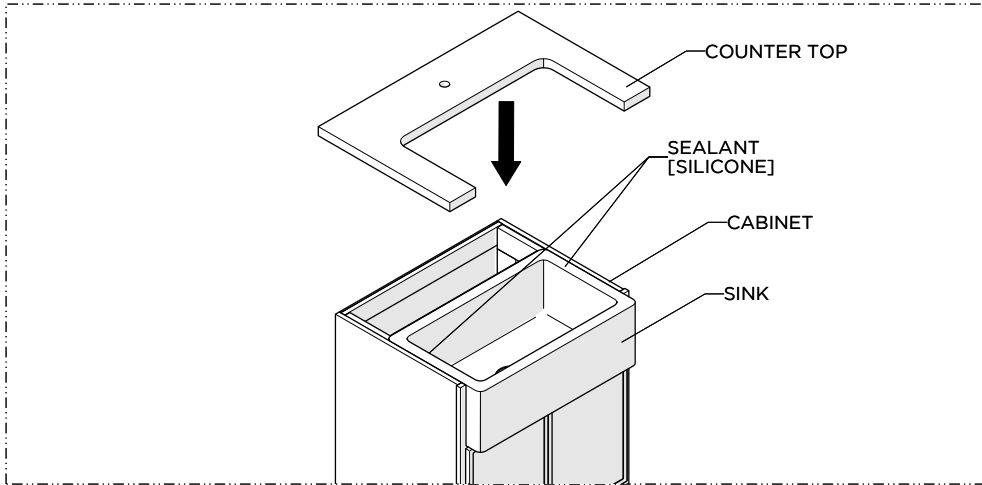
8. With the SINK in the final position, create a template to transfer onto the countertop then cut the countertop per manufacturer's instructions and cut the faucet hole(s) prior to final installation.

NOTE: For flush/no reveal or reveal installations, the individual sink is required due to SINK tolerances.

WATERWORKS INSTALLATION GUIDELINES

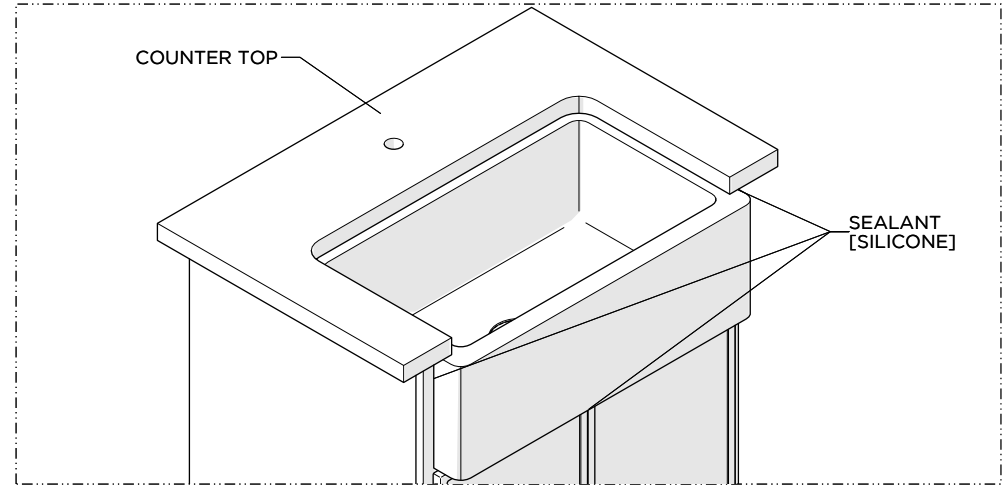
STYLENO. KRSK70, KRSK72, KRSK74, KRSK76, KRSK33

Kerr Stainless Steel Farmhouse Apron Kitchen Sink with Center Drain(s)

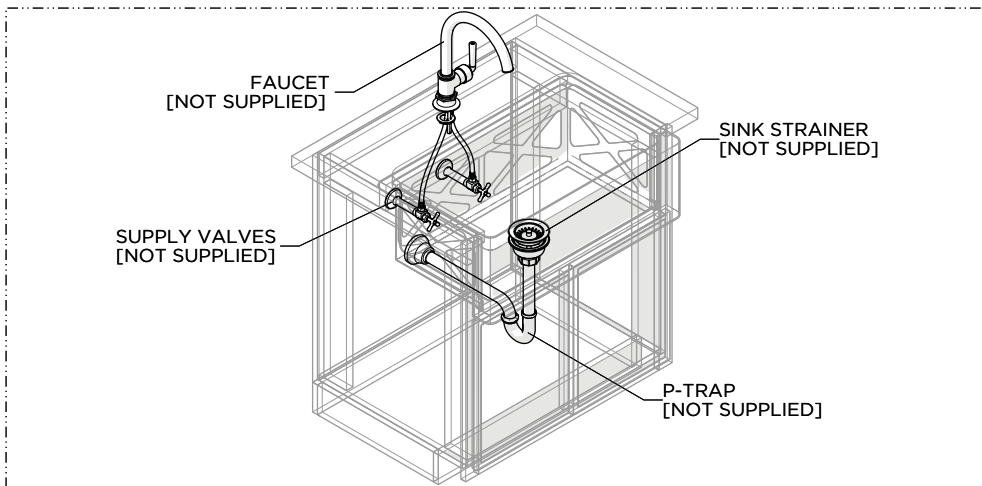


9. Apply a bead of silicone sealant to the back and sides of the SINK then place the countertop on top of the cabinets.

IMPORTANT: The countertop **MUST NOT** rest on top of the SINK.



10. Apply a bead of silicone sealant where the sink contacts the countertop and cabinet surfaces. Remove any excess sealant.



INSPECT AND FINISH THE INSTALLATION:

11. Install the faucet per the manufacturer's instructions and make final supply and waste connections.