

## EASTON

## EATH16

Easton Vintage Thermostatic Control Valve Trim with Metal Cross Handle



SHOWN IN EASTON VINTAGE THERMOSTATIC CONTROL VALVE TRIM WITH METAL CROSS HANDLE| EATH16

### TECHNICAL DETAILS

ADA Compliance: Yes  
Control Valve Rough-in Depth Maximum: 203 mm  
Control Valve Rough-in Depth Minimum: 51 mm  
Diverter Valve Rough-in Depth Maximum: 96 mm  
Diverter Valve Rough-in Depth Minimum: 72 mm  
Escutcheon Primary Material: Brass  
Index Color / Finish and Material: White Porcelain  
Depth / Width: 89 mm  
Height: 159 mm  
Index Marking: Blank  
Integrated Diverter: N  
Length: 152 mm  
Number of Handles: One  
Primary Material: Brass  
Suggested Application: Bath

### INSPIRATION

Drawing on Edwardian style, Easton is the most extensive Waterworks family; a range of moods and a selection of products from fittings to furniture.

### CODES & STANDARDS

Code # EASV16: ASME A112.18.1, CSA B125, IAPMO, State of MA

### PRODUCT FEATURES

Brass metal is used for all trim and valve components

The manufacturing process encompasses casting, turning, forging, hand-fitting and hand polishing.

Easton is our most comprehensive fittings family.

Easton has a clean-lined utilitarian profile, with a slightly elongated spout.

### CERTIFICATIONS



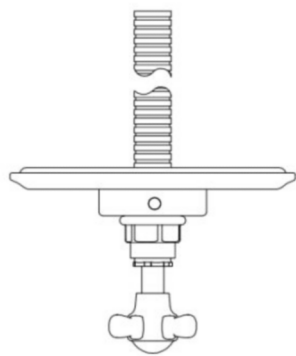
### PRODUCT (NOTES)

Valve sold separately.

## EASTON

## EATH16

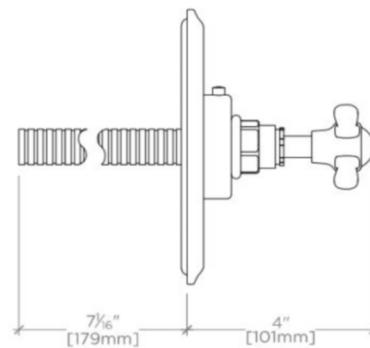
Easton Vintage Thermostatic Control Valve Trim with Metal Cross Handle



TOP VIEW SCALE: 3"=1'-0"



FRONT VIEW SCALE: 3"=1'-0"



SIDE VIEW SCALE: 3"=1'-0"