

ON TAP

OTKM01

On Tap One Hole High Profile Bar Faucet with Metal Wheel Handle



SHOWN IN ON TAP ONE HOLE HIGH PROFILE BAR FAUCET WITH METAL WHEEL HANDLE | OTKM01

TECHNICAL DETAILS

Deck Thickness Maximum: 2 1/4"
Deck Thickness Minimum: 1/4"
Flow Restriction Options: 2.0, 1.75, 1.5
Handle Turn Angle: Quarter Turn Each Way
Inlet Connection Size: 3/8"
Inlet Connection Type: Compression Connector Hoses
Primary Material: Brass
Restricted Maximum Flow Rate: 2.2 gpm
Valve Material: Ceramic
Water Pressure Minimum: 20.0 psi
Water Pressure Recommended: 45.0 psi

INSPIRATION

The classic draft beer tap, reinterpreted to create a beautiful experience in water delivery. The tall, arching spout provides extra reach for filling large pots, while the substantial scale of the design makes it feel anchored and secure. A statement-maker in any setting.

CODES & STANDARDS

CEC, State of MA

PRODUCT FEATURES

The substantial scale of the design makes it feel anchored and secure. Tall arching spout provides extra reach for filling large pots.

8" high profile spout with a metal wheel handle.

Features a progressive cartridge, full rotation is a half turn.

Standard flow rate is 2.2gpm (8.3 L/min) and State of California requires a maximum of 1.8gpm(6.8 L/min). Also available in high efficiency flow options. Contact a sales associate for details.

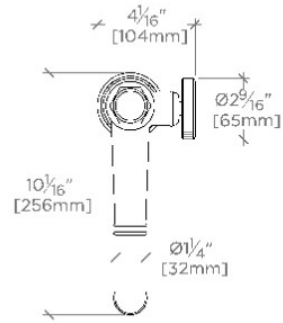
CERTIFICATIONS

PRODUCT (NOTES)

ON TAP

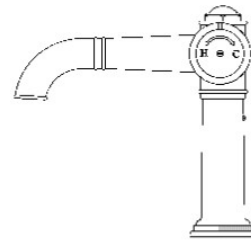
OTKM01

On Tap One Hole High Profile Bar Faucet with Metal Wheel Handle



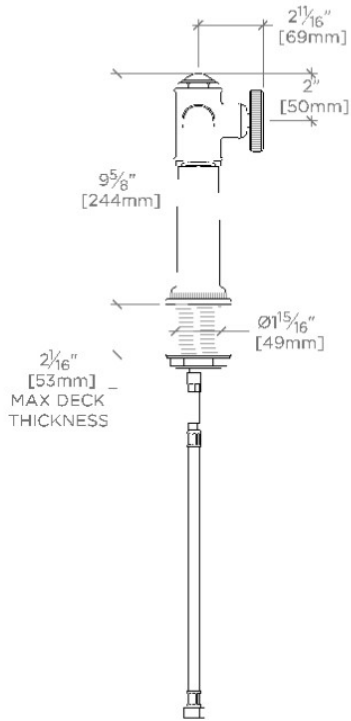
TOP VIEW

SCALE: 1 1/2"=1'-0"



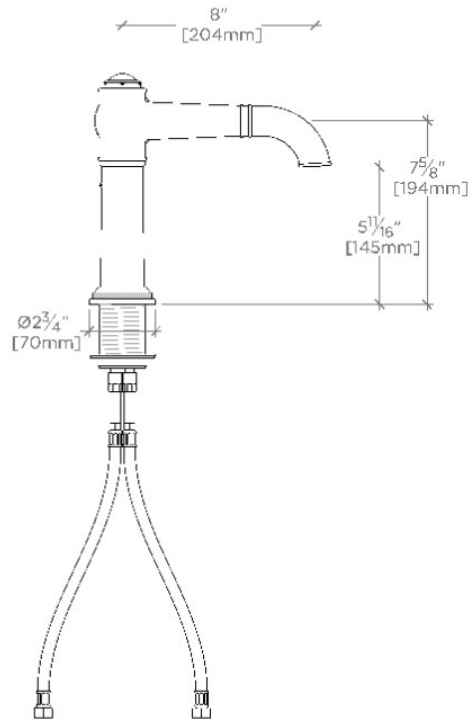
MARKING

SCALE: 1 1/2"=1'-0"



FRONT VIEW

SCALE: 1 1/2"=1'-0"



SIDE VIEW

SCALE: 1 1/2"=1'-0"