

BOND

BVC12B

Bond Tandem Series Volume Control with Two-Tone Lever Handle



SHOWN IN BOND TANDEM SERIES VOLUME CONTROL WITH TWO-TONE LEVER HANDLE | BVC12B

TECHNICAL DETAILS

ADA Compliance: Yes
Fittings Hole Diameter: 1 3/8"
Handle Turn Angle: Quarter Turn
Integrated Diverter: N
Number Of Holes: One Hole
Primary Material: Brass

INSPIRATION

Modern designs infused with rare soul and artistry. Explore our wide range of Bond bath and kitchen elements, from fittings to fixtures to hardware.

CODES & STANDARDS

ASME A112.18.1/CSA B125.1, State of MA

PRODUCT FEATURES

Lever Handle

Used to control water flow to a single waterway outlet such as a showerhead, handshower, or tub spout

Features Two-Tone Handle

Stocked in Nickel and Brass

Requires rough valve, sold separately: GUV18/ GUV19 or GUV16 /GUV17

CERTIFICATIONS

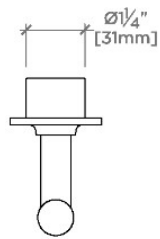


PRODUCT (NOTES)

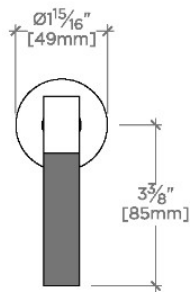
BOND

BVC12B

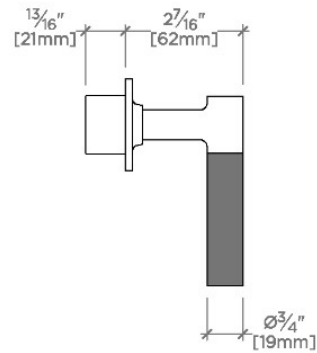
Bond Tandem Series Volume Control with Two-Tone Lever Handle



TOP VIEW SCALE: 3"=1'-0"



FRONT VIEW SCALE: 3"=1'-0"



SIDE VIEW SCALE: 3"=1'-0"