

FORO

FRLS01

Foro Low Profile Three Hole Deck Mounted Lavatory Faucet with Metal Cross Handles



TECHNICAL DETAILS

Deck Thickness Maximum: 43 mm
Deck Thickness Minimum: 8 mm
Drain Hole Diameter: 44 mm
Drain Style: Lift Knob
Fittings Hole Diameter: 35 mm
Handle Spread Maximum: 305 mm
Handle Spread Minimum: 203 mm
Handle Turn Angle: Quarter Turn
Depth / Width: 191 mm
Height: 117 mm
Inlet Connection Size: 1/2"
Inlet Connection Type: Male with Supply Nut
Restricted Maximum Flow Rate: 4.5 liters/min
Valve Material: Ceramic
Water Pressure Maximum: 6.0 bar
Water Pressure Minimum: 1.5 bar
Water Pressure Recommended: 3.0 bar

INSPIRATION

A mix of historical references, including finely etched vintage silver, come together in this twist on classical design - a wonderfully elegant formal statement.

PRODUCT FEATURES

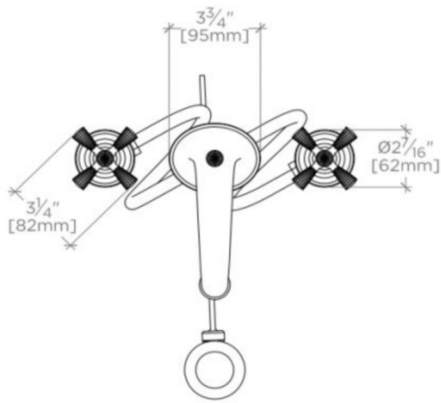
Metal cross handles
Includes European size pop-up drain
Features signature engraving detail
Stocked in Nickel and Unlacquered Brass
Available in 1.2gpm (4.5L/min) flow rate

WATERWORKS

FORO

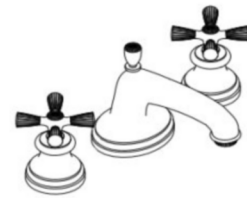
FRLS01

Foro Low Profile Three Hole Deck Mounted Lavatory Faucet with Metal Cross Handles



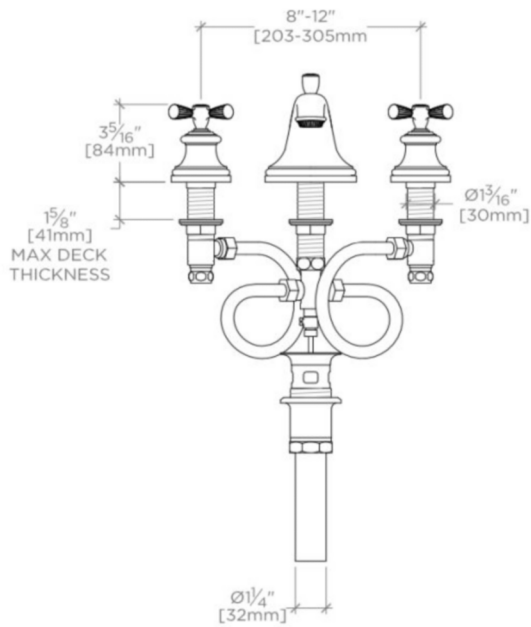
TOP VIEW

SCALE: 1/2"=1'-0"



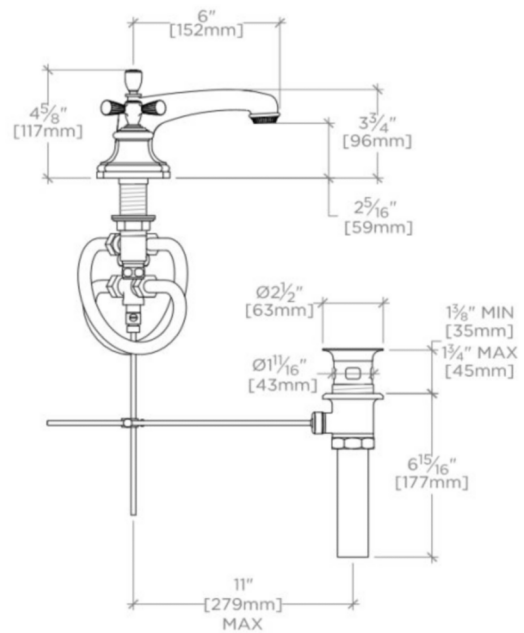
ISO VIEW

SCALE: 1/2"=1'-0"



FRONT VIEW

SCALE: 1/2"=1'-0"



SIDE VIEW

SCALE: 1/2"=1'-0"