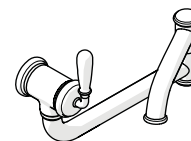


# INSTALLATION GUIDELINES



STYLE No. CEPF01

Canteen Wall Mounted Articulated Pot Filler with Oak Lever Handle

## IMPORTANT:

- To ensure this product is installed properly, you must read and follow these guidelines.
- The owner/user of this product must keep this information for future reference.
- This product must be installed by a professional licensed contractor and must be onsite prior to rough-in, this allows the installer to visualize the installation.
- Be sure your installation conforms to federal, state, and local codes. In the State of Massachusetts, all installations must comply with the rules and regulations set forth within 248 CMR.
- Inspect this product to ensure you have all the parts required for proper installation. Product is sold partially assembled but shown fully disassembled for illustrative and service purposes only.
- Use only a strap wrench or protected/smooth-jaw wrench on any finished surface.
- The use of certain plumber's putty may stain stone or tile surfaces.
- If further assistance is required, please contact Product Support at 1-800-927-2120 Monday through Friday, 8am - 6pm EST.
- Refer to the separate Service Parts Documents for available replacement parts.

## TECHNICAL DETAILS:

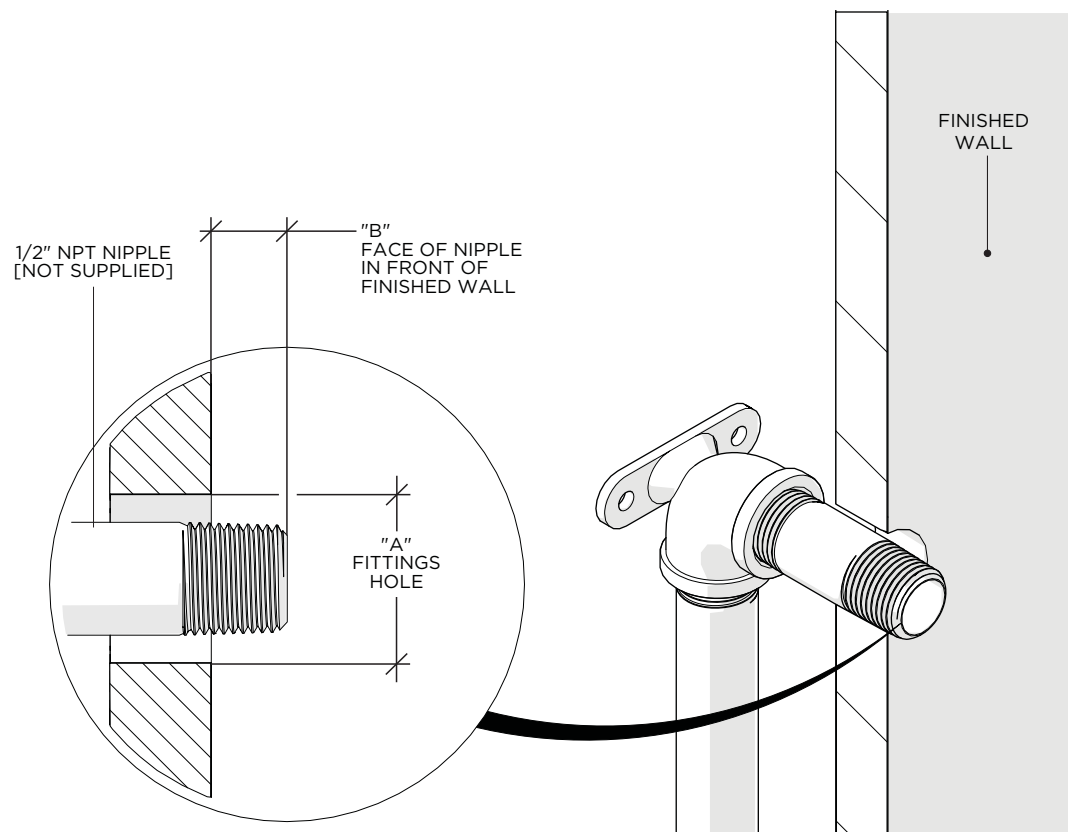
DETAIL	SPECIFICATION
HANDLE TURN ANGLE	Quarter Turn
SPOUT REACH	22 9/16" [573mm]
INLET CONNECTION	1/2" FEMALE NPT †
SPOUT SWIVEL	YES
WATER PRESSURE	20psi [1.4 bar] MIN 80psi [5.5 bar] MAX
WATER PRESSURE RECOMMENDED	45psi [3.0 bar]

† UK Style No. CE01PF is supplied with 1 BSPP adapter, assembly required.

## ROUGH-IN:

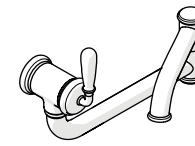
- Determine the ideal location based on the clients Preference and rough-in a wall supported 1/2" NPT NIPPLE (not supplied).
- Adequate blocking in the wall is required to support inlet supply and MOUNTING HARDWARE.

DIMENSION	VALUE
A	1-1/4" [32mm]
B	1/2" [13mm]



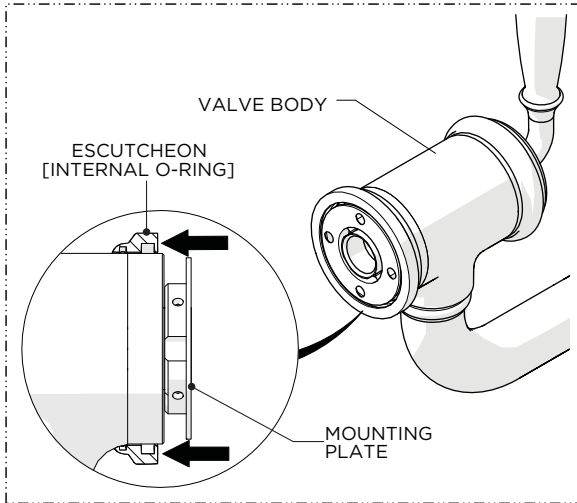
# WATERWORKS

## INSTALLATION GUIDELINES

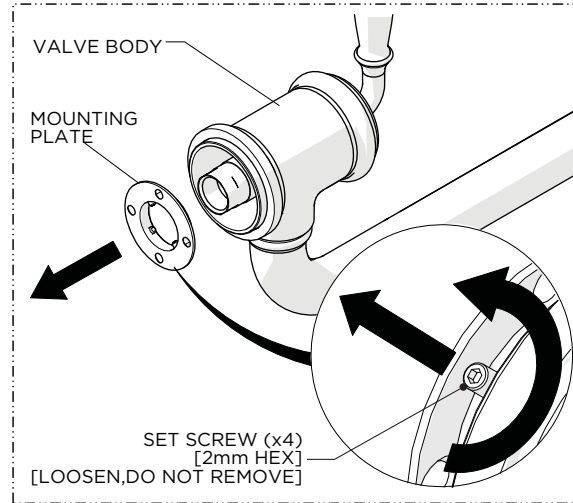


STYLE No. CEPF01

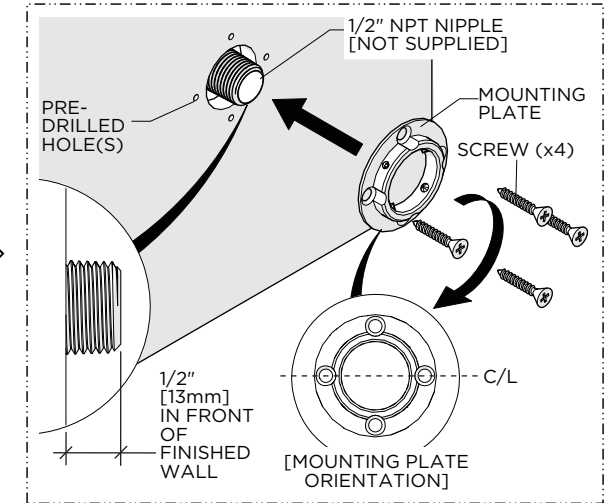
Canteen Wall Mounted Articulated Pot Filler with Oak Lever Handle



1. Slide the ESCUTCHEON against the VALVE BODY to expose the SET SCREWS.

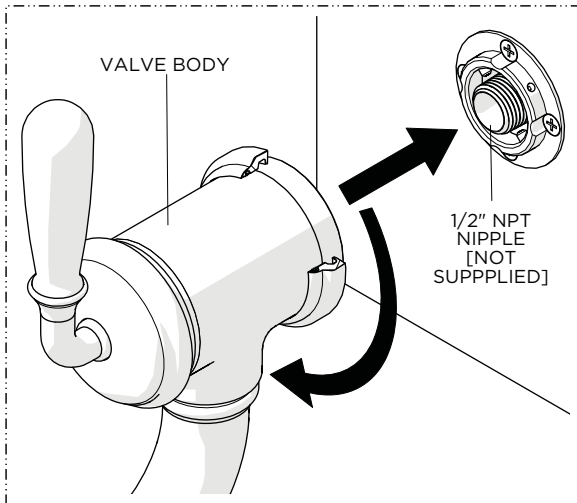


2. Loosen, but do **NOT** remove, the SET SCREWS (x4) using a 2mm HEX KEY then remove the MOUNTING PLATE from the VALVE BODY.

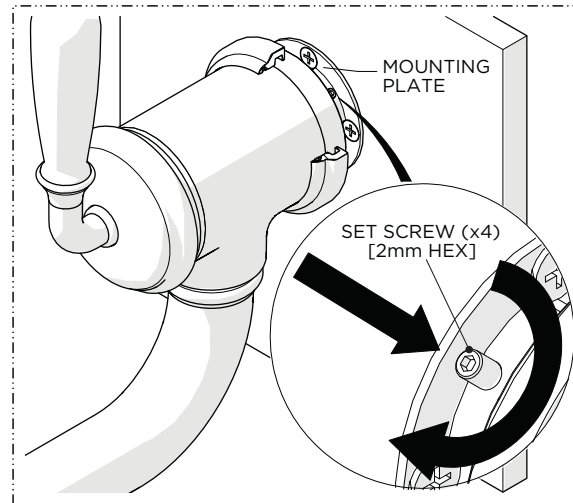


3. Ensure the NIPPLE (not supplied) protrudes 1/2" [13mm] in front of the finished wall then install the MOUNTING PLATE, in the proper orientation, using the SCREWS (x4) provided.

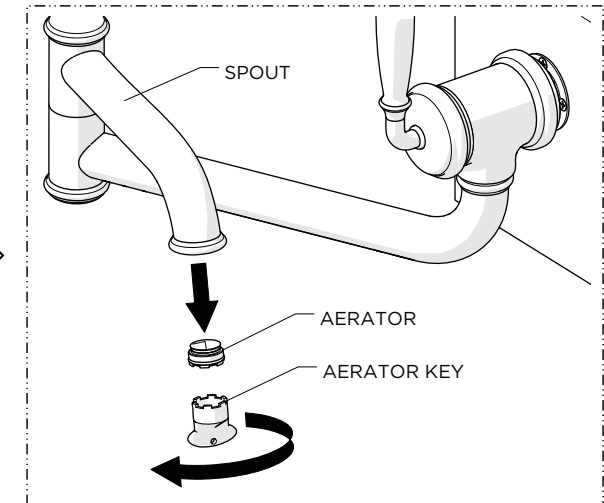
**NOTE:** Adequate **BLOCKING** is required.



4. Thread and securely tighten the VALVE BODY onto the NIPPLE (not supplied).



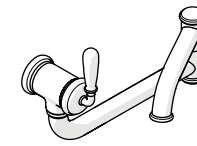
5. Securely tighten the SET SCREWS (x4) on the MOUNTING PLATE using a 2mm HEX KEY to secure the SPOUT and prevent it from rotating.



6. Unthread and remove the AERATOR from SPOUT using the AERATOR KEY provided.

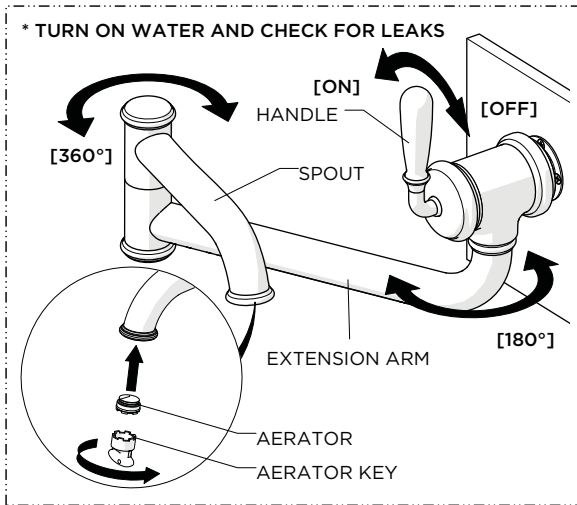
# WATERWORKS

## INSTALLATION GUIDELINES

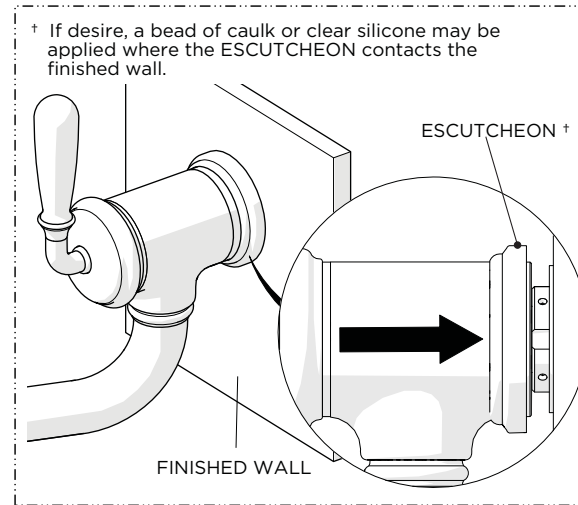


STYLE No. CEPF01

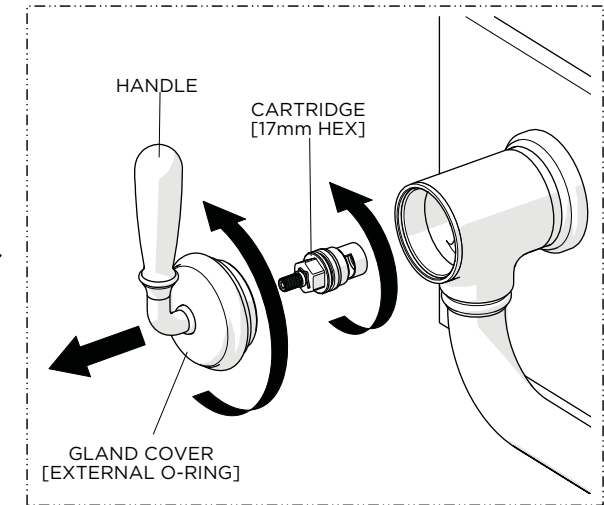
Canteen Wall Mounted Articulated Pot Filler with Oak Lever Handle



7. Turn on the water and operate the HANDLE to flush out any debris in the supply line and check for leaks then turn off water and re-install the AERATOR.

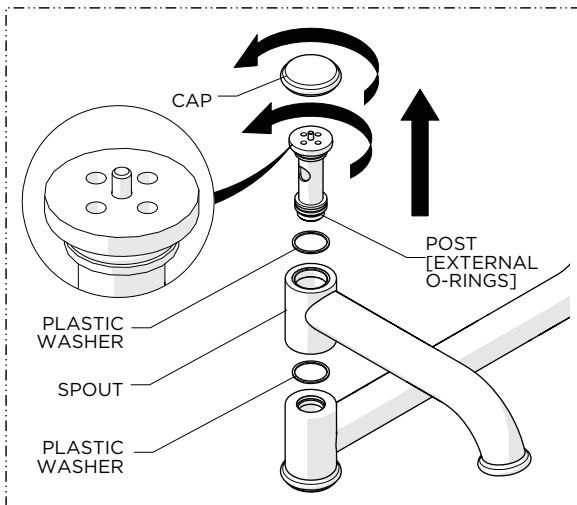


8. Slide the ESCUTCHEON down the VALVE BODY until it contacts the finished wall.



### SERVICING THE CARTRIDGE:

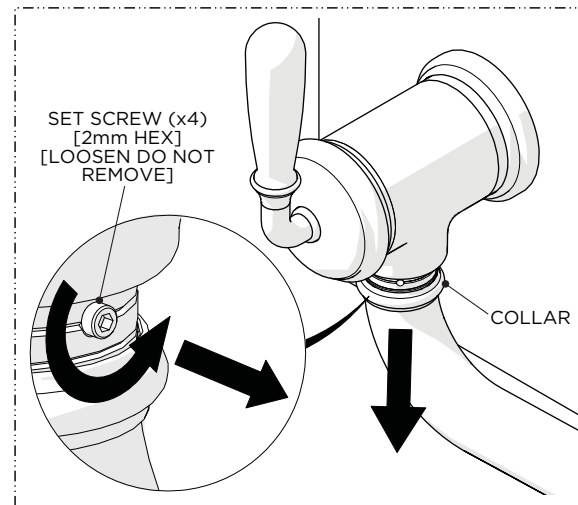
1. Unthread the GLAND COVER and remove the HANDLE to expose the CARTRIDGE then unthread and remove the CARTRIDGE.



### SERVICING THE SPOUT:

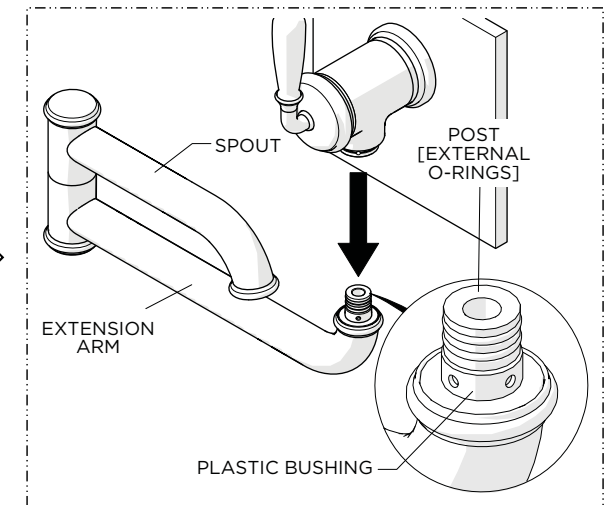
1. Unthread and remove the CAP and POST then remove the SPOUT.

**NOTE:** An adjustable pin spanner wrench (not provided) can be used to remove the POST.



### SERVICING THE ARTICULATED ARM:

1. Slide the COLLAR down the ARM to expose the SET SCREW (x4) then loosen, but do NOT remove, the SCREWS using a 2mm HEX KEY.



2. Remove the ARM to expose the POST with the external O-RINGS and PLASTIC BUSHING.