

HENRY

Henry Wall Mounted Lavatory Faucet with Cross Handles

HN60LS



SHOWN IN HENRY WALL MOUNTED LAVATORY FAUCET WITH CROSS HANDLES| HNLS60

TECHNICAL DETAILS

ADA Compliance: Yes
Fittings Hole Diameter: 35 mm
Flow Restriction Options: 2.2
Handle Spread Maximum: 203 mm
Handle Spread Minimum: 203 mm
Inlet Connection Size: 1/2"
Inlet Connection Type: Female NPT
Restricted Maximum Flow Rate: 8.3 liters/min
Suggested Application: Bath
Water Pressure Maximum: 6.0 bar
Water Pressure Minimum: 1.5 bar
Water Pressure Recommended: 3.0 bar

INSPIRATION

Influenced by the connection of industry and art Henry easily transitions between modern, traditional, utilitarian and classic settings.

PRODUCT FEATURES

Includes European push touch style drain.

Meets or exceeds the Weighted Average Lead Requirements of 0.25%.

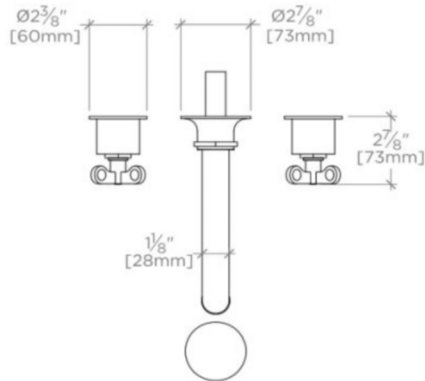
Standard flow rate is 2.2gpm (8.3 L/min) and State of California requires 1.2gpm(4.5 L/min). Also available in other flow options. Contact a sales associate for details.

WATERWORKS

HENRY

HN60LS

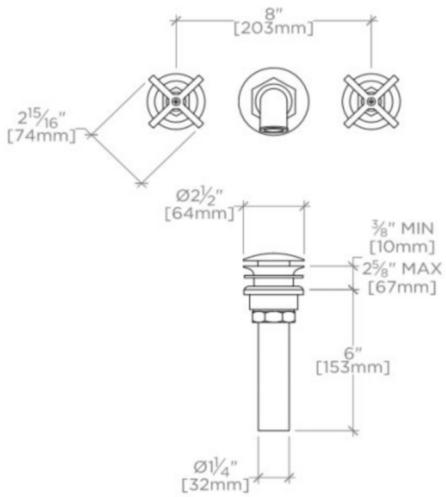
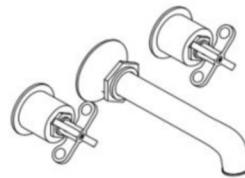
Henry Wall Mounted Lavatory Faucet with Cross Handles



TOP VIEW

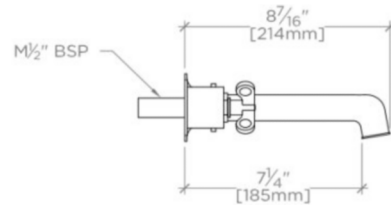
SCALE: 1/2"=1'-0"

ADAPTER(S) PACKAGED SEPARATELY		
ADAPTER	DESCRIPTION	QTY
UNUK04	1/2" NPT Male x 1/2" Male Nipple 50mm Long BSP	1



FRONT VIEW

SCALE: 1/2"=1'-0"



SIDE VIEW

SCALE: 1/2"=1'-0"

