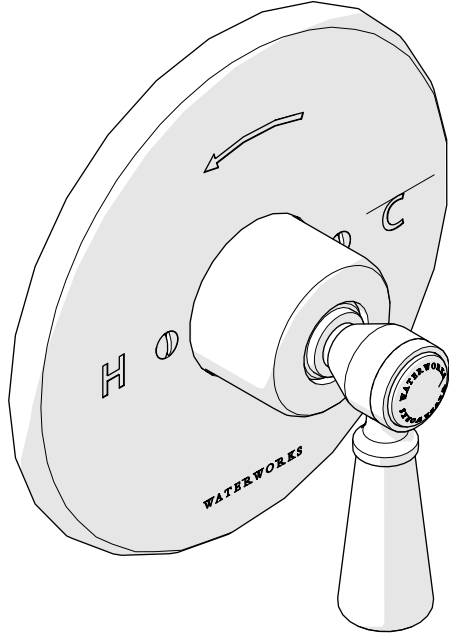


## HIGHGATE

Pressure Balance Control Valve Trim White Porcelain Lever Handle

# Installation Guidelines

**STYLE No.** HGPB10



### **SPECIFICATIONS:**

Rough-in Depth Minimum: 2-1/4" [58mm]

Rough-in Depth Maximum: 3" [76mm]

Fitting Hole Diameter: Ø3-1/2" [89mm]

Integrated Diverter: No

### **REQUIRED PLUMBING DETAILS:**

Viaworks 1/2" Pressure Balance Valve

**STYLE NO.** GUPB01

### **IMPORTANT:**

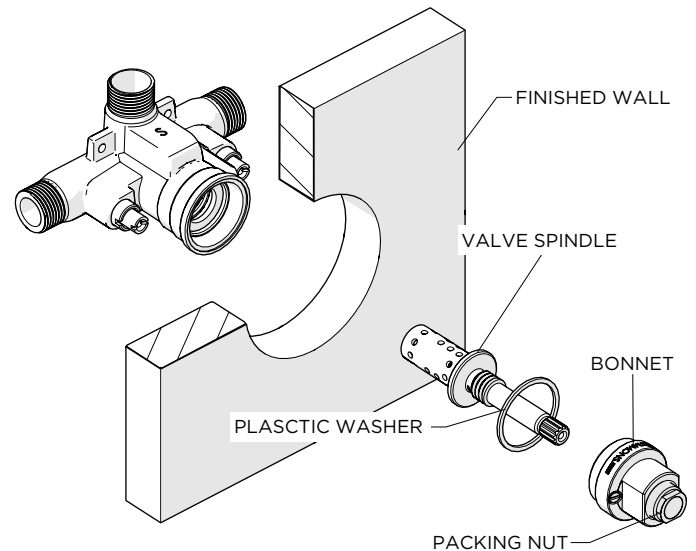
- To ensure this product is installed properly, you must read and follow these guidelines.
- The owner/user of this product must keep this information for future reference.
- This product is intended to work with the Waterworks Viaworks Pressure Balance Valve (Style No. **GUPB01**). The risk of scalding exists until the installer has properly calibrated/adjusted the temperature setting during final trim installation.
- The bottom outlet of the **GUPB01** is intended for use with a tub spout with an integrated diverter only.
- Do not use Pex piping from the valve to the tub spout. This will cause too much back pressure for the valve to function properly.
- Be sure your installation conforms to federal state, and local codes. In the State of Massachusetts, all installations must comply with the rules and regulations set forth within 248 CMR.
- This product must be installed by a professional licensed contractor.

- Refer to the specifications and assembly drawings attached. Product is sold partially assembled but shown fully disassembled for illustrative and service purposes only.
- Inspect this product to ensure you have all the parts required for proper installation.
- This product must be on-site prior to rough-in which allows the installer to visualize the installation.
- Use only a strap wrench or protected/smooth-jaw wrench on any finished surface.

### **VALVE OPERATION:**

1. When the finished wall is complete, turn on the hot and cold supplies and pull off the tile guard. Valve will not operate unless BOTH supplies are turned on.
2. The lever handle (5) is for controlling the temperature only, not volume. Place the handle on the valve stem so it rests at 6 o'clock in the OFF position and then turn the handle counter clockwise through the cold, then warm and stopping at the hot position. If additional rotational friction is required to maintain the handle position, tighten the packing nut.
3. Allow the valve to run in the warm position for a few minutes to completely flush the system. If system is quite dirty, remove valve spindle to ensure proper flushing. Refer to the Installation Guidelines for the Pressure Balance Valve which contains a complete parts breakdown and related information.

**FIGURE - 01**



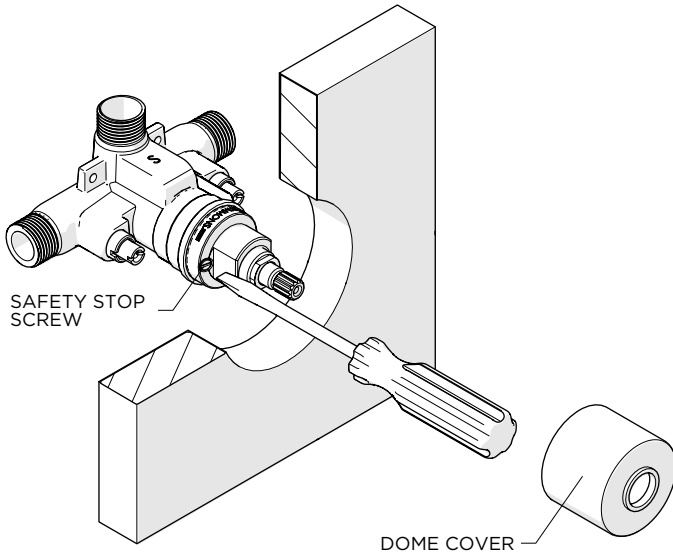
These guidelines have been prepared for the professional contractor to aid in the installation of: **HIGHGATE PRESSURE BALANCE TRIM WITH PORCELAIN LEVER HANDLE (STYLE# HGPB10)**  
All dimensions are based on original specification and are subject to change and variation.  
Please consult your Design Associate for current specifications.

# WATERWORKS

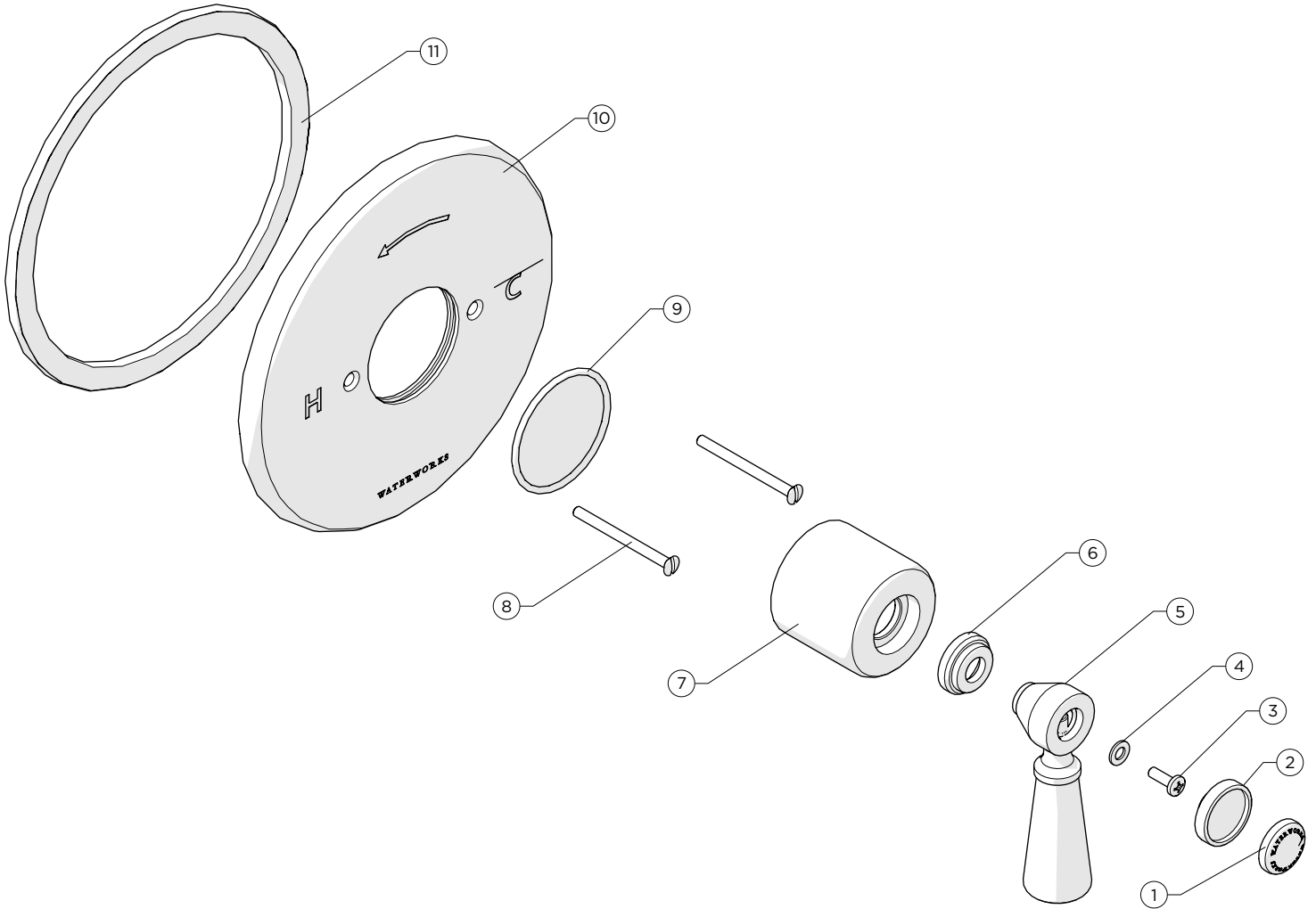
**HOT LIMIT SAFETY STOP CALIBRATION:**

- **IMPORTANT:** The Pressure Balance Valve is equipped with a hot limit safety stop screw to limit the valve handle from being turned to excessive hot water discharge temperatures.
4. Remove the dome cover and open the valve to the maximum desired temperature verified with a thermometer and turn the safety stop screw clockwise until it seats.  
**WARNING: Failure to adjust the HOT LIMIT SAFETY STOP SCREW properly may result in serious scalding.**

FIGURE - 02

**TRIM INSTALLATION:**

5. Screw the nose cone (7) onto the packing nut until fully seated.
  6. Slide the trim plate (10) over the nose cone (7) and attach it to the valve with the screws (8) provided. If it is difficult to slide the plate over the nose cone, moisten the o-ring (9) inside the plate.
  7. Remove indice (1) from the handle (5) to remove the screw (3) and washer (4).
  8. Slide the nose cone cap over the valve stem then attach the handle to the stem using the screw (3) and washer (4).
  9. Re-insert the indice into the handle.
- **If further assistance is required, please contact Product Support at 1-800-927-2120 (9am-6pm EST).**



	Description	QTY
1	INDICE, HIGHGATE	1
2	O-RING	1
3	HANDLE SCREW	1
4	LOCK WASHER	1
5	WHITE PORCELAIN LEVER HANDLE	1
6	NOSE CONE CAP	1
7	NOSE CONE	1
8	TRIM SCREW	2
9	O-RING	1
10	TRIM PLATE	1
11	GASKET	1

These guidelines have been prepared for the professional contractor to aid in the installation of: **HIGHGATE PRESSURE BALANCE TRIM WITH PORCELAIN LEVER HANDLE (STYLE# HGPB10)**  
 All dimensions are based on original specification and are subject to change and variation.  
 Please consult your Design Associate for current specifications.

**WATERWORKS**