

Bond

BXT260

Bond Solo Series Deck Mounted Exposed Tub Filler with Handshower and Lever Handles



SHOWN IN BOND SOLO SERIES DECK MOUNTED EXPOSED TUB FILLER WITH HANDSHOWER AND LEVER HANDLES | BXT260

TECHNICAL DETAILS

ADA Compliance: No
 Deck Thickness Maximum: 51 mm
 Deck Thickness Minimum: 6 mm
 Diameter Of Legs Tubes: 32 mm
 Fittings Hole Diameter: 35 mm
 Handle Spread Maximum: 203 mm
 Handle Spread Minimum: 203 mm
 Handle Turn Angle: Quarter Turn
 Handshower Spray Hose Length: 1.5 m
 Inlet Connection Size: 3/4"
 Inlet Connection Type: Male NPT
 Inlet Supply Spread Maximum: 318 mm
 Inlet Supply Spread Minimum: 318 mm
 Integrated Diverter: Y
 Number Of Holes: Two Hole
 Primary Material: Brass
 Spout Swivel: N
 Spray Included In Unit: Y
 Valve Material: Ceramic
 Water Pressure Maximum: 6.0 bar
 Water Pressure Minimum: 1.5 bar
 Water Pressure Recommended: 3.0 bar

INSPIRATION

Bond draws inspiration from the Aesthetic Movement, rare vintage lighters, and modern industrial design. The result is a contemporary collection with a soulful quality that inhabits the full range of modern style, from austere minimalism to warm contemporary.

CODES & STANDARDS

ASME A112.18.1/CSA B125.1, CEC, State of MA, Waterworks Handshowers use check valves compliant to ASME A112.18.3 for backflow protection, NOM-012, WRAS

PRODUCT FEATURES

Lever Handles

Diverter handle allows bather to move water from spout to handshower. Handshower features 2-1/8" head with rubber nozzles.

Features Upturned Lever Handle

Stocked in Chrome, Nickel, Brass and Dark Nickel

Unrestricted flow for tub spout. Handshower available in 1.75gpm (6.6L/min) flow rate

CERTIFICATIONS



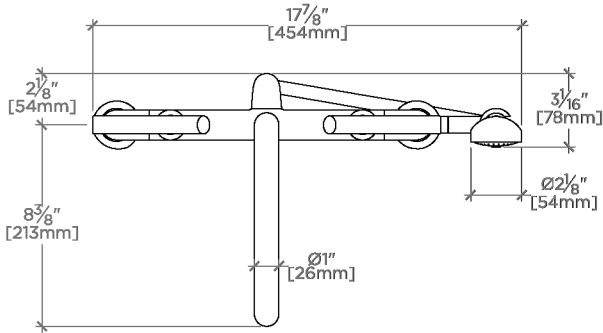
PRODUCT (NOTES)

WATERWORKS

Bond

BXT260

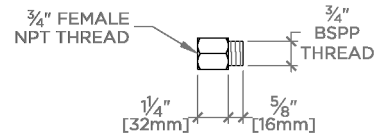
Bond Solo Series Deck Mounted Exposed Tub Filler with Handshower and Lever Handles



TOP VIEW

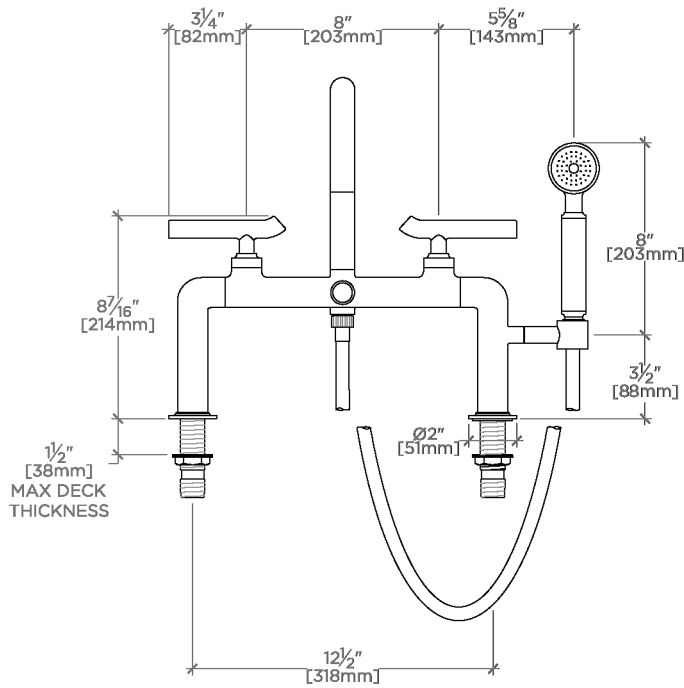
SCALE: 1/2"=1'-0"

† 2 ADAPTERS SUPPLIED
INTERNATIONAL USE ONLY



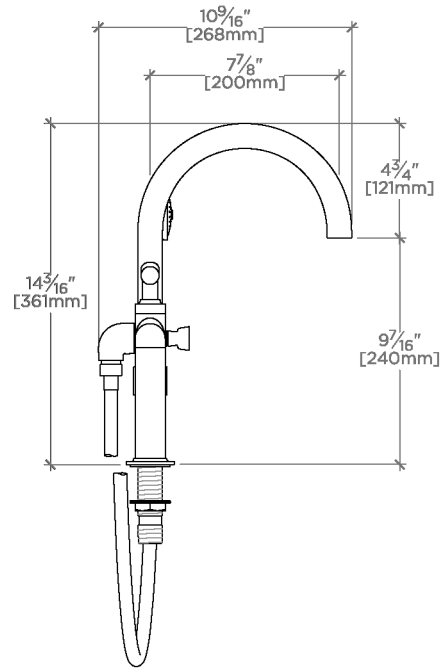
BSPP ADAPTER †

NOT TO SCALE



FRONT VIEW

SCALE: 1/2"=1'-0"



SIDE VIEW

SCALE: 1/2"=1'-0"