

## JULIA

JULS20

Julia High Profile Three Hole Deck Mounted Lavatory Faucet with Metal Lever Handles



SHOWN IN JULIA HIGH PROFILE THREE HOLE DECK MOUNTED LAVATORY FAUCET WITH METAL LEVER HANDLES | JULS20

### TECHNICAL DETAILS

ADA Compliance: Yes  
 Adjustable versus Fixed Spray: Fixed Spray  
 Deck Thickness Maximum: 41 mm  
 Deck Thickness Minimum: 0 mm  
 Drain Assembly Materials: Brass  
 Drain Depth Maximum: 44 mm  
 Drain Hole Diameter: 44 mm  
 Drain Style: Pop-up  
 Escutcheon Primary Material: Brass  
 Fittings Hole Diameter: 35 mm  
 Handle Spread Maximum: 305 mm  
 Handle Spread Minimum: 203 mm  
 Handle Turn Angle: Quarter Turn  
 Index Color / Finish and Material: Architectural Bronze  
 Depth / Width: 194 mm  
 Drain Depth Minimum: 35 mm  
 Height: 165 mm  
 Index Marking: H/C  
 Inlet Connection Size: 1/2"  
 Inlet Connection Type: Male With Supply Nut  
 Inlet Supply Spread Maximum: 305 mm  
 Inlet Supply Spread Minimum: 203 mm  
 Installation Type: Deck Mounted  
 Length: 406 mm  
 Number of Handles: Two  
 Number of Holes: Three Hole  
 Primary Material: Brass  
 Restricted Maximum Flow Rate: 4.5 liters/min  
 Spout Swivel: Y  
 Suggested Application: Bath  
 Valve Material: Ceramic  
 Water Pressure Maximum: 6.0 bar  
 Water Pressure Minimum: 1.5 bar  
 Water Pressure Recommended: 3.0 bar

### INSPIRATION

An interpretation of 1920s French country, Julia speaks to decoration and intricate design displayed through beautifully composed turnings. These details embody the robust, signature high profile spout enabling Julia to transition fluidly from informal to formal environments.

### PRODUCT FEATURES

Features signature detail of the graceful, high profile swivel spout, and metal indices engraved in a simplistic "H" or "C"

Available with metal, wood or porcelian handle materials with MTO materials including porcelain and semiprecious stones.

Available in 1.2gpm (4.5L/min) flow rate

### CODES & STANDARDS

Code # JULS20-LL: Complies with ASME A112.18.1/CSA B125.1, ASME A112.18.2 / CSA B125.2, NSF 61, NSF 372, CEC, ADA and 0.25% Weighted Average Lead Content. Certified with IAPMO, cUPC, NSF, CEC, DOE and State of MA.

### CERTIFICATIONS



### PRODUCT (NOTES)

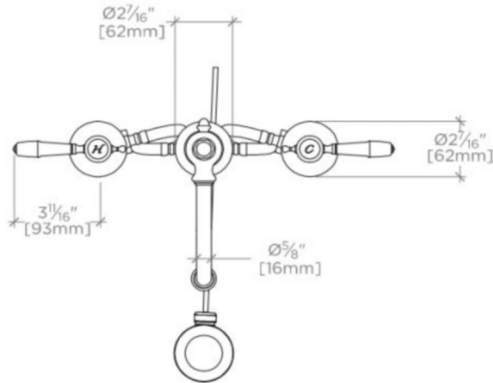
Sold with European style drain; USA style drain sold separately for use with non-Waterworks sinks.

# WATERWORKS

## JULIA

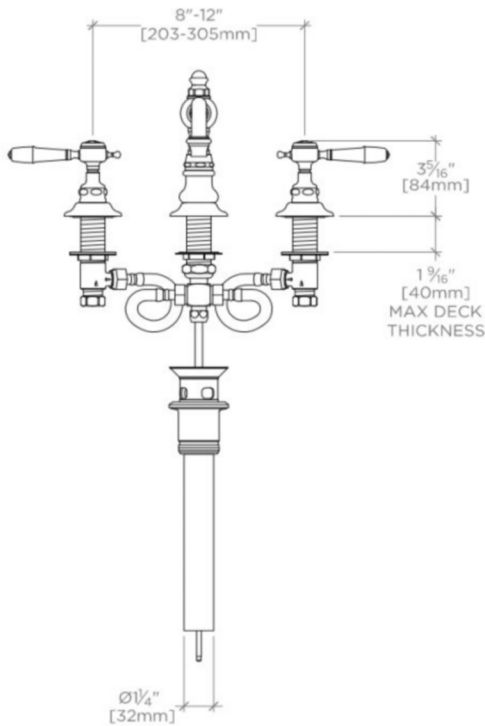
JULS20

Julia High Profile Three Hole Deck Mounted Lavatory Faucet with Metal Lever Handles



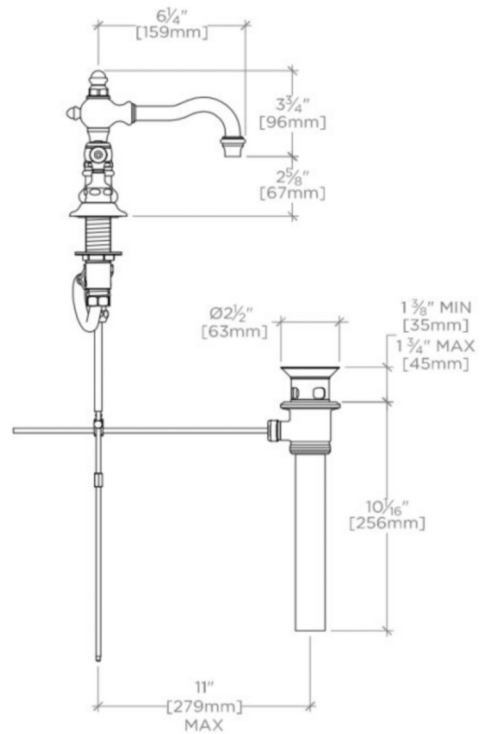
TOP VIEW

SCALE: 1 1/2"=1'-0"



FRONT VIEW

SCALE: 1 1/2"=1'-0"



SIDE VIEW

SCALE: 1 1/2"=1'-0"