

## EASTON

EATH06

Easton Classic Thermostatic Control Valve Trim with White Porcelain Blank Indices and Cross Handle



SHOWN IN NICKEL WITH WHITE PORCELAIN BLANK INDICES

### TECHNICAL DETAILS

ADA Compliance: Yes  
 Control Valve Rough-in Depth Maximum: 203 mm  
 Control Valve Rough-in Depth Minimum: 51 mm  
 Diverter Valve Rough-in Depth Maximum: 96 mm  
 Diverter Valve Rough-in Depth Minimum: 72 mm  
 Escutcheon Primary Material: Brass  
 Index Color / Finish and Material: White Porcelain  
 Depth / Width: 89 mm  
 Height: 159 mm  
 Index Marking: Blank  
 Integrated Diverter: N  
 Length: 152 mm  
 Number of Handles: One  
 Primary Material: Brass  
 Suggested Application: Bath

### INSPIRATION

Easton is a timeless escape and draws on the deep waters of Edwardian style. Easton is the most extensive family in the Waterworks collection, with a range of moods from traditional to modern, and a selection of products from fittings to furniture.

### CODES & STANDARDS

Code # EASV06: ASME A112.18.1, CSA B125, IAPMO, State of MA

### PRODUCT FEATURES

Brass metal is used for all trim and valve components  
 The manufacturing process encompasses casting, turning, forging, hand-fitting and hand polishing.  
 Easton is our most comprehensive fittings family.  
 Easton has a clean-lined utilitarian profile, with a slightly elongated spout.

### CERTIFICATIONS



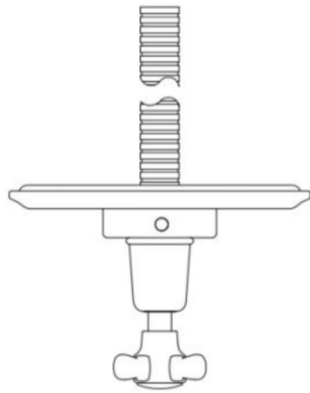
### PRODUCT (NOTES)

Valve sold separately.

## EASTON

## EATH06

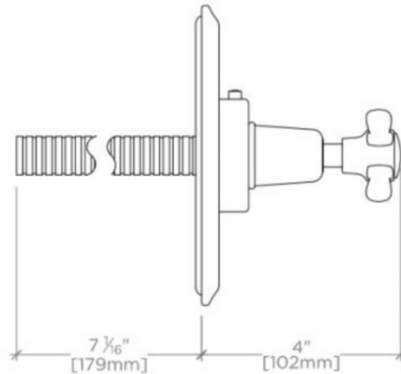
Easton Classic Thermostatic Control Valve Trim with White Porcelain Blank Indice and Cross Handle



TOP VIEW SCALE: 3"=1'-0"



FRONT VIEW SCALE: 3"=1'-0"



SIDE VIEW SCALE: 3"=1'-0"