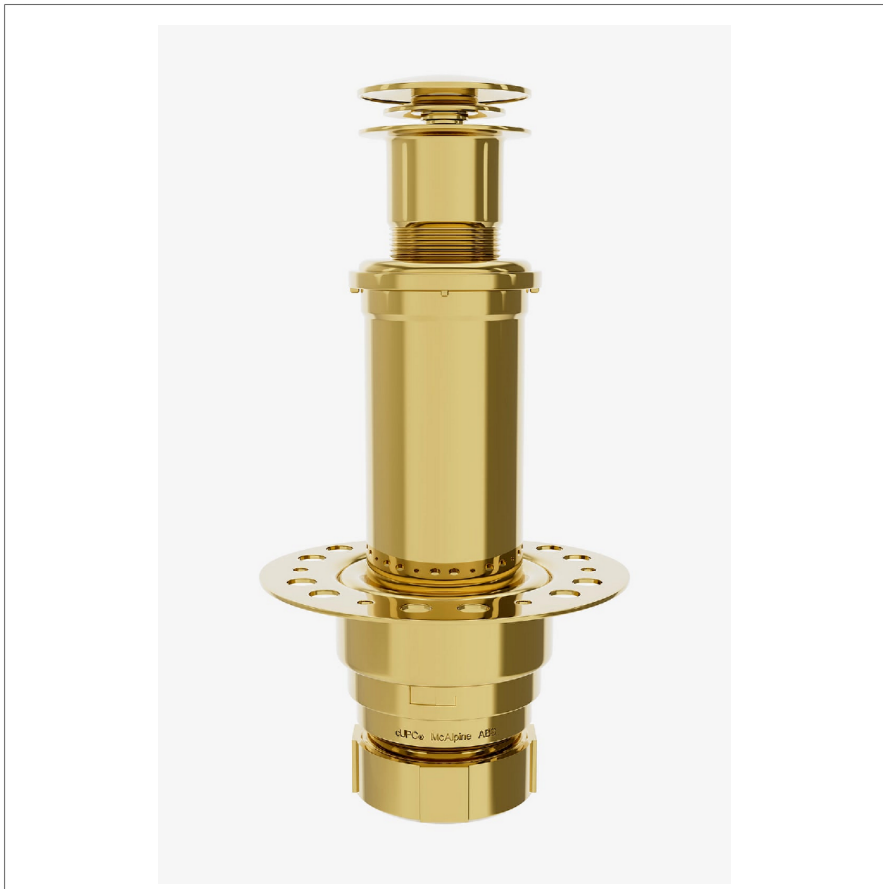


UNIVERSAL

UNWO25

Universal Push-Touch Tub Drain and Docking Station with Overflow



SHOWN IN UNIVERSAL PUSH-TOUCH TUB DRAIN AND DOCKING STATION WITH OVERFLOW | UNWO25

TECHNICAL DETAILS

Drain Depth Maximum: 2"
 Drain Depth Minimum: 1 3/8"
 Drain Hole Diameter: 2"
 Drain Style: Push-Touch
 Fittings Hole Diameter: 4"
 Outlet Connection Size: 1 1/2"
 Outlet Connection Type: SCH40 ABS and PVC Socket Adapter
 Overflow Depth Maximum: 2"
 Overflow Depth Minimum: 1 3/8"

INSPIRATION

Featuring enduring designs that complement any Waterworks element, this collection spans fittings to accessories, bringing exquisite proportion and balance to any environment.

CODES & STANDARDS

ASME A112.18.2-2020/CSA B125.2-20

PRODUCT FEATURES

Designed for heavy tubs with push touch drain and integrated overflow channel

Installs in standard 1 1/2" DWV pipe

Supplied with ABS, PVC adapter kits, tools and dust cover

All Finishes are Special Order

Drain can be installed from above, without lifting tub

CERTIFICATIONS



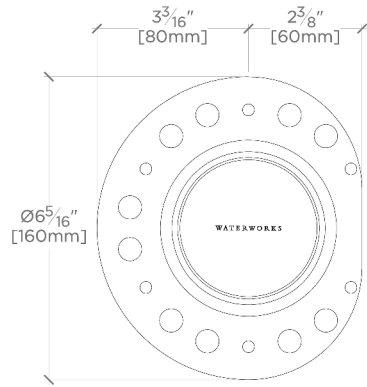
PRODUCT (NOTES)

WATERWORKS

UNIVERSAL

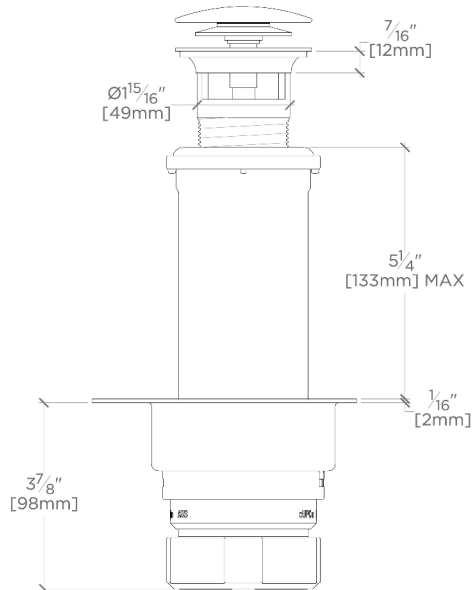
UNWO25

Universal Push-Touch Tub Drain and Docking Station with Overflow



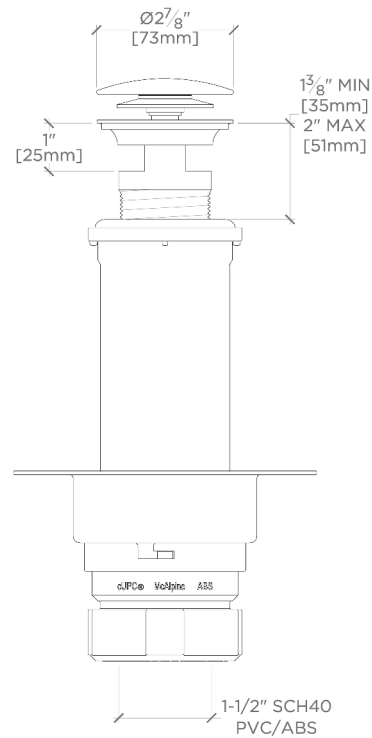
TOP VIEW

SCALE: 3"=1'-0"



FRONT VIEW

SCALE: 3"=1'-0"



SIDE VIEW

SCALE: 3"=1'-0"