

Universal

UCWH22

Universal Classic 22" Wall Mounted 90 Degree Shower Arm with High Profile Flange



SHOWN IN UNIVERSAL CLASSIC 22" WALL MOUNTED 90 DEGREE SHOWER ARM WITH HIGH PROFILE FLANGE | UCWH22

TECHNICAL DETAILS

Fittings Hole Diameter: 32 mm
Inlet Connection Size: 1/2"
Inlet Connection Type: Male NPT
Outlet Connection Size: 1/2"
Outlet Connection Type: Male NPT
Water Pressure Recommended: 3.0 bar

INSPIRATION

Featuring enduring designs that complement any Waterworks element, this collection spans fittings to accessories, bringing exquisite proportion and balance to any environment.

CODES & STANDARDS

PRODUCT FEATURES

Compatible with an assortment of Waterworks showerheads, sold separately

Brass Construction

Includes 22" wall mounted 90 degree shower arm

Stocked in Chrome, Nickel and Brass

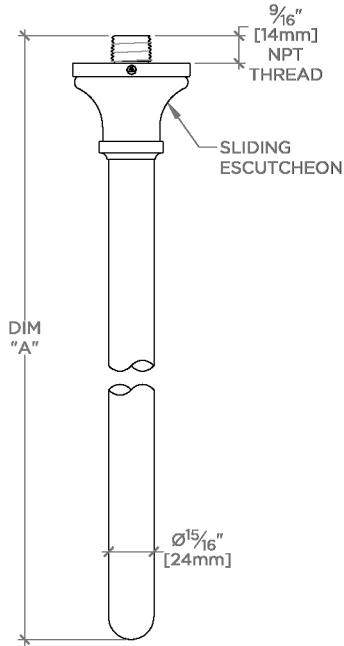
CERTIFICATIONS

PRODUCT (NOTES)

Universal

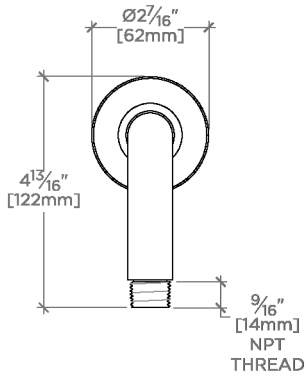
UCWH22

Universal Classic 22" Wall Mounted 90 Degree Shower Arm
with High Profile Flange

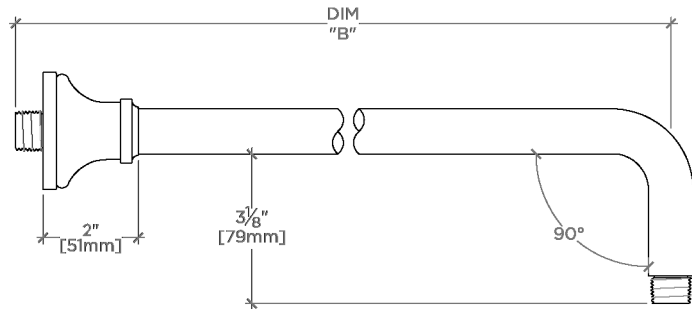


TOP VIEW SCALE: 3"=1'-0"

STYLE NO.	DIM "A"	DIM "B"
UCWH12	13 3/16" [331mm]	12 1/2" [319mm]
UCWH18	19 1/16" [484mm]	18 1/2" [472mm]
UCWH22	23 3/16" [585mm]	22 1/2" [572mm]



FRONT VIEW SCALE: 3"=1'-0"



SIDE VIEW SCALE: 3"=1'-0"