

HIGHGATE

Highgate Swing Arm Paper Holder

HGPH31



SHOWN IN HIGHGATE SWING ARM PAPER HOLDER | HGPH31

TECHNICAL DETAILS

Installation Type: Wall Mounted
Primary Material: Brass
Suggested Application: Bath

INSPIRATION

Our take on old English style: simple, functional shapes, detailed with white porcelain indices and hexagonal accents for a timeless feel.

CODES & STANDARDS

PRODUCT FEATURES

Stocked in Brass, Chrome and Nickel

Made of Brass

Wall Mounted

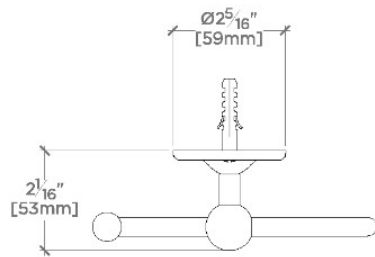
CERTIFICATIONS

PRODUCT (NOTES)

HIGHGATE

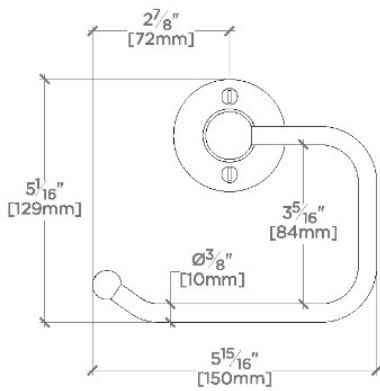
HGPH31

Highgate Swing Arm Paper Holder



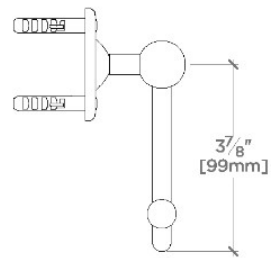
TOP VIEW

SCALE: 3"=1'-0"



FRONT VIEW

SCALE: 3"=1'-0"



SIDE VIEW

SCALE: 3"=1'-0"