

## .25

## PTS244

.25 4 1/4" Showerhead with 6" Wall Mounted 45 Degree Shower Arm



SHOWN IN .25 4 1/4" SHOWERHEAD WITH 6" WALL MOUNTED 45 DEGREE SHOWER ARM | PTS244

### TECHNICAL DETAILS

Adjustable Versus Fixed Spray: Fixed  
 Fittings Hole Diameter: 1 1/4"  
 Flow Restriction Options: 1.5, 1.75, 2.0  
 Inlet Connection Size: 1/2"  
 Inlet Connection Type: Male NPT  
 Pivot: Y  
 Primary Material: Brass  
 Restricted Maximum Flow Rate: 1.75 gpm  
 Water Pressure Maximum: 85.0 psi  
 Water Pressure Minimum: 20.0 psi  
 Water Pressure Recommended: 45.0 psi

### INSPIRATION

.25 is the ultimate in utilitarian elegance: A simple and understated design that is equally functional and beautiful.

### CODES & STANDARDS

PTS244X, ASME A112.18.1/CSA B125.1, CEC(1.5GPM & 1.75GPM Only), WaterSense(1.5GPM, 1.75GPM & 2.0GPM Only), DOE, State of MA

### PRODUCT FEATURES

- Made of Brass
- Features a swivel 4 1/4" showerhead with seven jets
- Includes a 6" wall mounted 45 degree shower arm
- Stocked in Brass, Chrome and Nickel
- Showerhead available in 1.75gpm (6.6L/min) flow rate

### CERTIFICATIONS

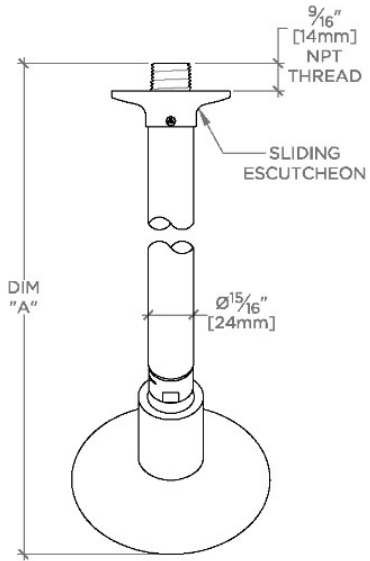


### PRODUCT (NOTES)

.25

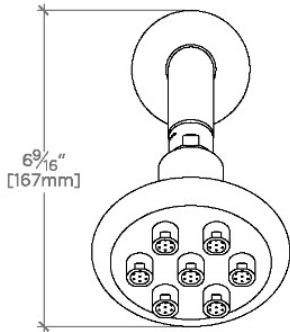
PTS244

.25 4 1/4" Showerhead with 6" Wall Mounted 45 Degree Shower Arm

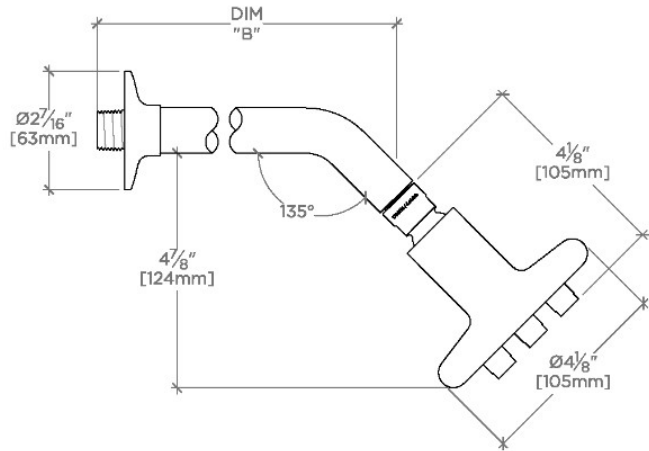


TOP VIEW SCALE: 3"=1'-0"

STYLE NO.	DIM "A"	DIM "B"
LVS244	10 <sup>3</sup> / <sub>16</sub> " [259mm]	6 <sup>1</sup> / <sub>4</sub> " [158mm]
PTS244		
LVS245	12 <sup>3</sup> / <sub>16</sub> " [310mm]	8 <sup>1</sup> / <sub>4</sub> " [209mm]
PTS245		



FRONT VIEW SCALE: 3"=1'-0"



SIDE VIEW SCALE: 3"=1'-0"