

HENRY

HN90KM

Henry Mid-Size One Hole Gooseneck Kitchen Faucet with Metal Lever Handle & Pull Down Spray



TECHNICAL DETAILS

Deck Thickness Maximum: 94 mm
Deck Thickness Minimum: 6 mm
Fittings Hole Diameter: 35 mm
Flow Restriction Options: 1.75
Handle Turn Angle: Quarter Turn
Inlet Connection Size: 3/8"
Inlet Connection Type: Compression Connector Hoses
Restricted Maximum Flow Rate: 6.6 liters/min
Valve Material: Ceramic
Water Pressure Maximum: 6.0 bar
Water Pressure Minimum: 1.5 bar
Water Pressure Recommended: 3.0 bar

INSPIRATION

Influenced by the connection of industry and art Henry easily transitions between modern, traditional, utilitarian and classic settings.

PRODUCT FEATURES

Metal Lever handle with pull down spray. Swivel spout.

Spray is operated by a sliding button that switched between aerated stream and jet spray. The button returns to stream when water is turned off and stays locked in spray mode without having to hold it down. Sprayer face has rubber nozzles for easy cleaning.

Spray head is held in place with a magnet and counter weight.

Spray head pivots to increase maneuverability when pulled out of the spout.

WATERWORKS

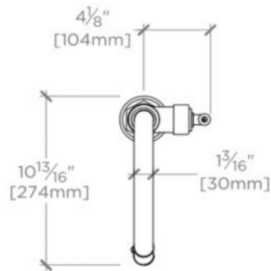
HENRY

HN90KM

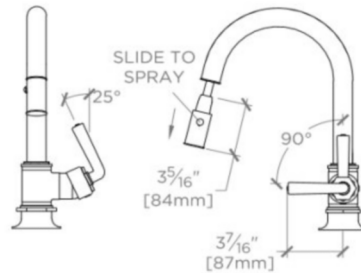
Henry Mid-Size One Hole Gooseneck Kitchen Faucet with Metal Lever Handle & Pull Down Spray

NOTE: RIGHT HAND INSTALLATION ONLY

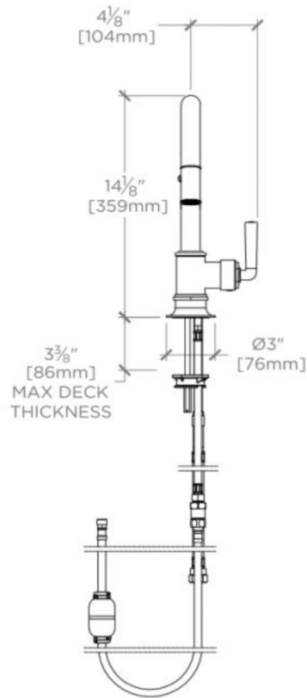
ADAPTER(S) PACKAGED SEPARATELY		
ADAPTER	DESCRIPTION	QTY
UNUK08	9/16"-24 UNEF Male x 3/8" Female BSP in Nickel	2



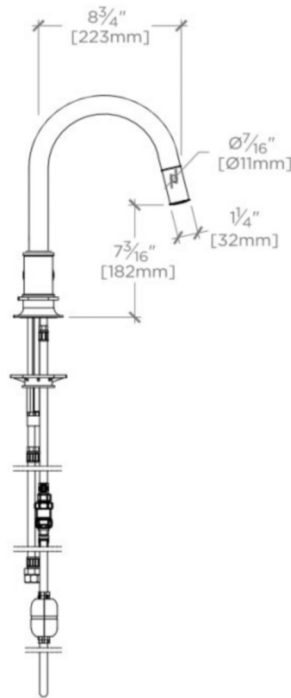
TOP VIEW SCALE: 1"=1'-0"



SPRAY AND HANDLE OPERATION VIEW



FRONT VIEW SCALE: 1"=1'-0"



SIDE VIEW SCALE: 1"=1'-0"