

## FORMWORK

## FMKM50

Formwork Three Hole Gooseneck Kitchen Faucet with Metal Lever Handles and Spray



SHOWN IN FORMWORK THREE HOLE GOOSENECK KITCHEN FAUCET WITH METAL LEVER HANDLES AND SPRAY| FMKM50

### TECHNICAL DETAILS

Deck Thickness Maximum: 51 mm  
Deck Thickness Minimum: 10 mm  
Escutcheon Primary Material: Brass  
Fitting Hole Configuration / Number: Three  
Fittings Hole Diameter: 35 mm  
Flow Restriction Options: 2.0, 1.75, 1.5  
Handle Spread Minimum: 203 mm  
Handle Turn Angle: Quarter Turn  
Handshower / Spray Hose Length: 1.5 m  
Depth / Width: 256 mm  
Height: 335 mm  
Inlet Connection Size: 1/2"  
Inlet Connection Type: Male with Supply Nut  
Integrated Diverter: Y  
Integrated Spray: Y  
Number of Holes: Four Hole  
Primary Material: Brass  
Restricted Maximum Flow Rate: 8.3 liters/min  
Spray Included in Unit: Y  
Suggested Application: Bar, Kitchen, Laundry  
Valve Material: Ceramic  
Water Pressure Maximum: 6.0 bar  
Water Pressure Minimum: 1.5 bar  
Water Pressure Recommended: 3.0 bar

### INSPIRATION

Sculptural forms that defy the ordinary. Unexpected geometry and the transition of the planes create a subtle but warm expression.

### PRODUCT FEATURES

Three hole faucet with side spray.

8 1/2" Gooseneck swivel spout.

Shapely lever handles.

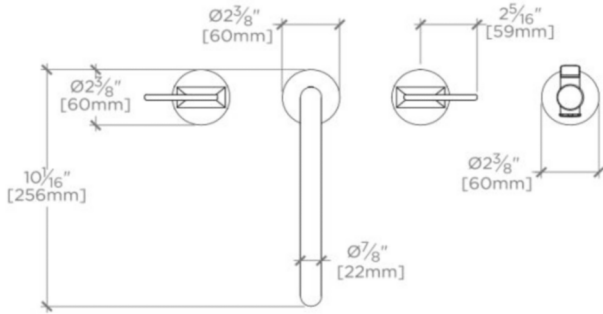
Standard flow rate is 2.2gpm (8.3 L/min) and State of California requires a maximum of 1.8gpm(6.8 L/min). Also available in other flow options. Contact a sales associate for details.

# WATERWORKS

## FORMWORK

## FMKM50

Formwork Three Hole Gooseneck Kitchen Faucet with Metal Lever Handles and Spray



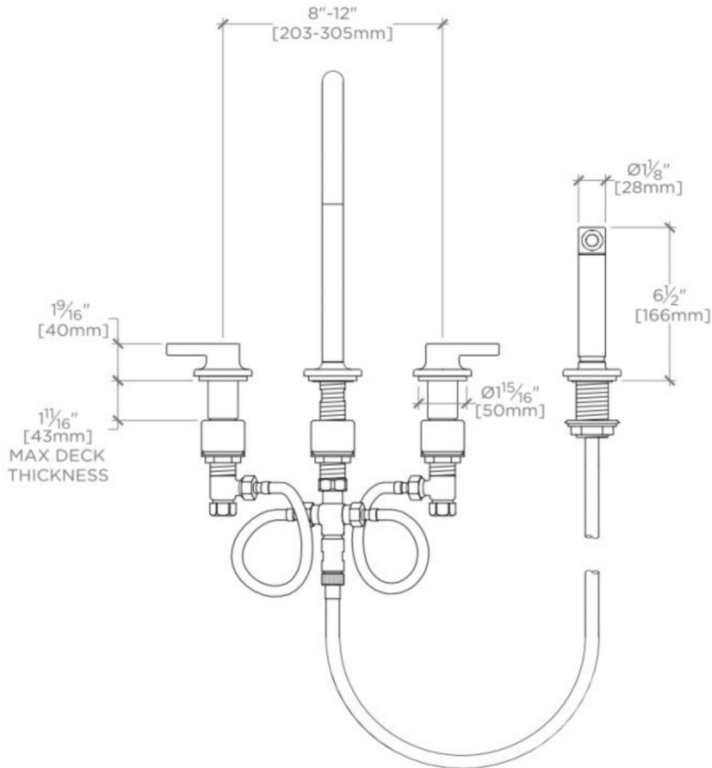
TOP VIEW

SCALE: 1½"=1'-0"



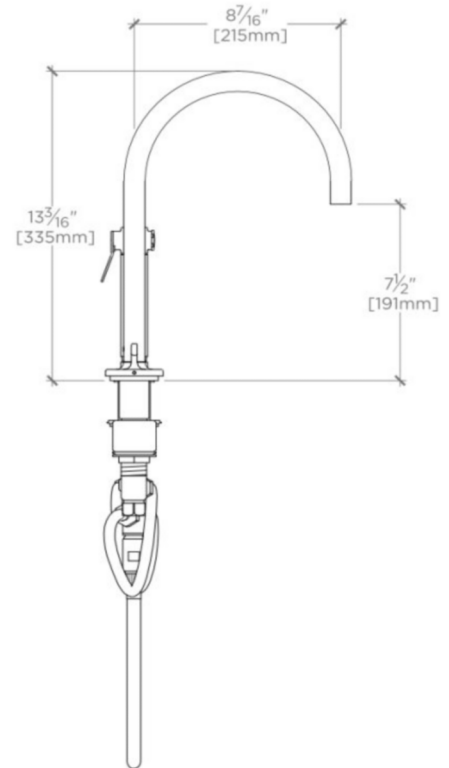
ISO VIEW

SCALE: 1½"=1'-0"



FRONT VIEW

SCALE: 1½"=1'-0"



SIDE VIEW

SCALE: 1½"=1'-0"