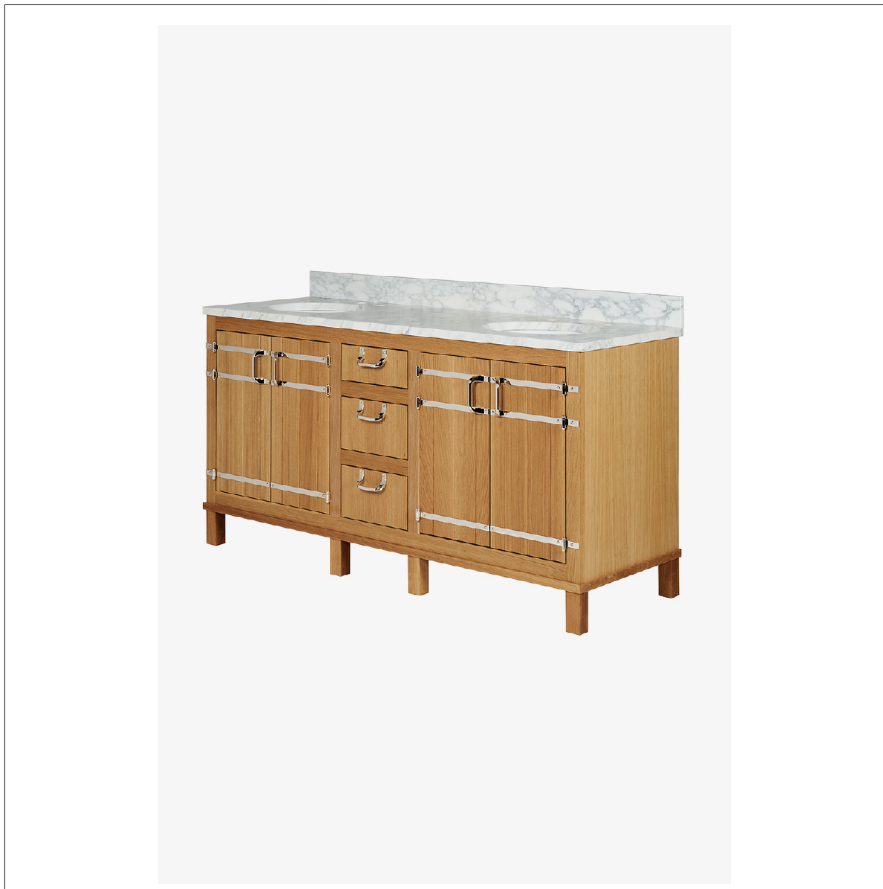


## BRIDLE

BLVN12

Bridle Double Vanity with Square Legs and Hardware with SALV26 Sinks and Slab 67" x 22 1/2" x 34 1/2" with 4" x 3/4" Backsplash



SHOWN IN BRIDLE DOUBLE VANITY WITH SQUARE LEGS AND HARDWARE WITH SALV26 SINKS AND SLAB 67" X 22 1/2" X 34 1/2" WITH 4" X 3/4" BACKSPLASH | BLVN12

### TECHNICAL DETAILS

ADA Compliance: No  
Adjustable Levelers Feet: N  
Fittings Hole Depth: 1 1/4"  
Fittings Hole Diameter: 1 3/8"  
Primary Material: Wood  
Sink Visibility: N

### INSPIRATION

With its distinctive v-groove paneling and metal strapping, Bridle projects a French neoclassical sensibility, with details from vintage luggage and honest plank doors.

### CODES & STANDARDS

### PRODUCT FEATURES

Designed by and exclusive to Waterworks

Vanity with three drawers and Integrated Hardware; specify Brass or Nickel when ordering

Stocked in Clear Oak, Antique Walnut Finish or Factory Finished in Chalk, Driftwood, Midnight, Steel, Franklin Gray, or Whisper

Includes Saxby sinks and choice of stocked stone tops in Carrara or Arabescato

Install with or without backsplash (included)

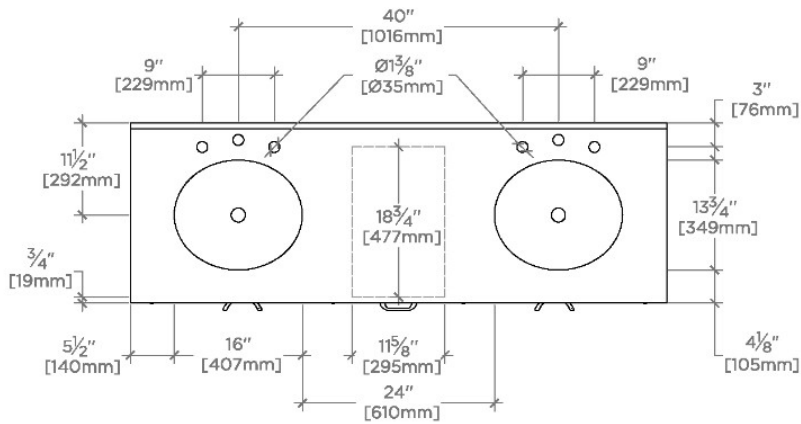
### CERTIFICATIONS

### PRODUCT (NOTES)

## BRIDLE

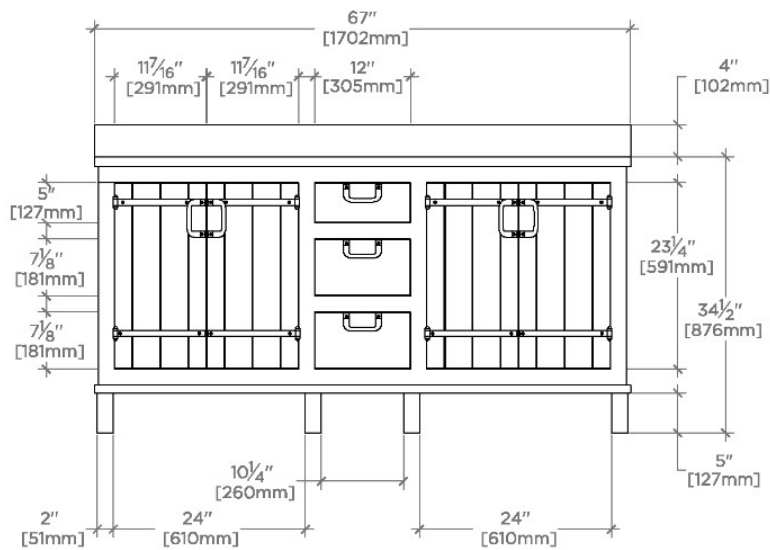
BLVN12

Bridle Double Vanity with Square Legs and Hardware with SALV26 Sinks and Slab 67" x 22 1/2" x 34 1/2" with 4" x 3/4" Backsplash



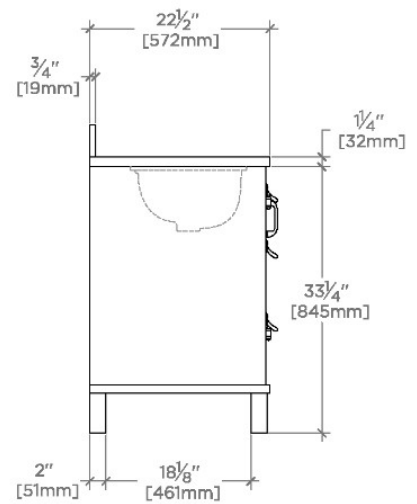
TOP VIEW

SCALE: 1/2"=1'-0"



FRONT VIEW

SCALE: 1/2"=1'-0"



SIDE VIEW

SCALE: 1/2"=1'-0"