

## BELDEN

100693

Belden Single Vanity with Tapered Legs 36" x 22" x 33 1/4"



SHOWN IN BELDEN SINGLE VANITY WITH TAPERED LEGS 36" X 22" X 33 1/4" | 100693

### TECHNICAL DETAILS

ADA Compliance: No  
 Adjustable Levelers Feet: N  
 Bowl Shape: Oval  
 Depth To Overflow: 4 1/2"  
 Drain Hole Depth: 1 3/4"  
 Drain Hole Diameter: 1 3/4"  
 Fittings Hole Depth: 1 1/4"  
 Fittings Hole Diameter: 1 3/8"  
 Overflow Opening: Yes  
 Primary Material: Wood  
 Sink Visibility: N

### INSPIRATION

Classic with a twist: Reimagined in a distinctive transitional style, our wood paneled doors complement a range of hardware styles & lend instant architecture to a room.

### CODES & STANDARDS

### PRODUCT FEATURES

Designed by and exclusive to Waterworks

Hardware sold separately

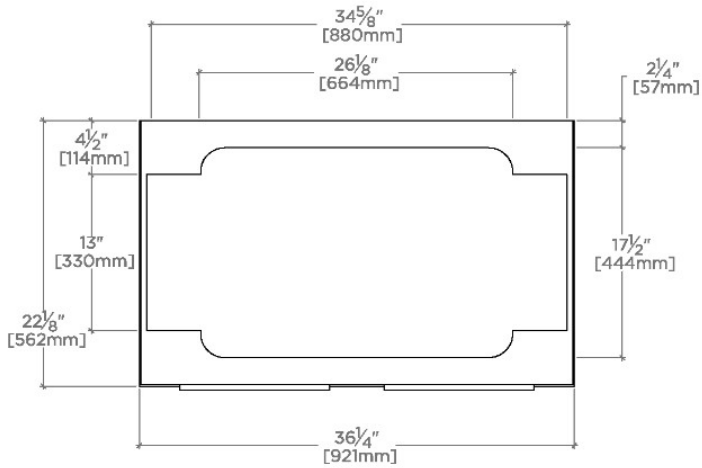
Stocked in Clear Oak, Antique Walnut Finish or Factory Finished in Chalk, Driftwood, Midnight, Steel, Franklin Gray, or Whisper

Available with sink and slab top: use BEVN11

### CERTIFICATIONS

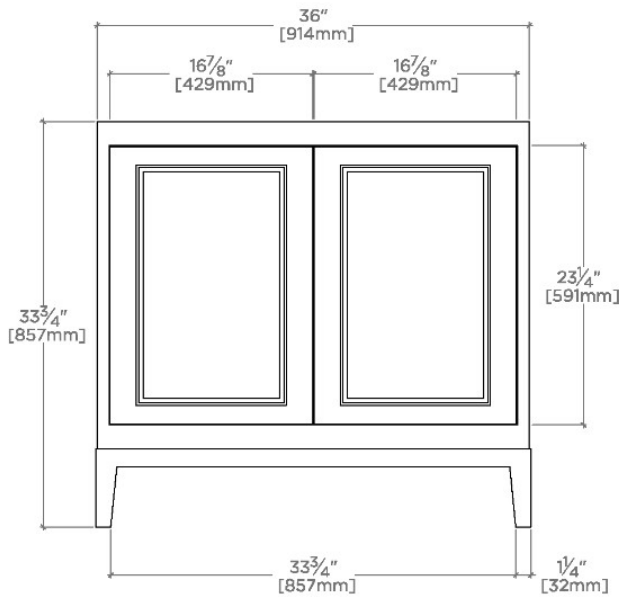
### PRODUCT (NOTES)

Belden Single Vanity with Tapered Legs 36" x 22" x 33 1/4"



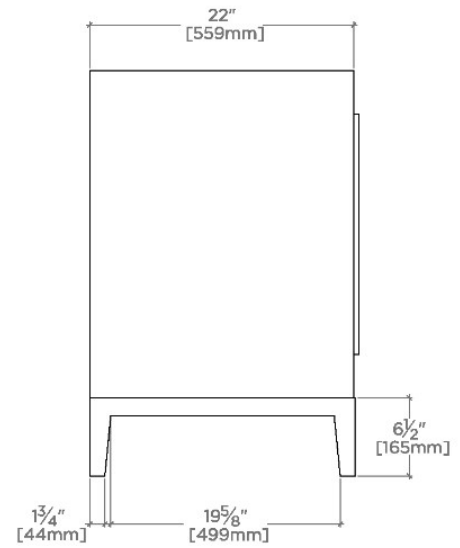
TOP VIEW

SCALE: 3/4"=1'-0"



FRONT VIEW

SCALE: 3/4"=1'-0"



SIDE VIEW

SCALE: 3/4"=1'-0"